

SP4T UltraCMOS™ 2.6 V Switch
100 – 3000 MHz

Figure 1. Functional Diagram

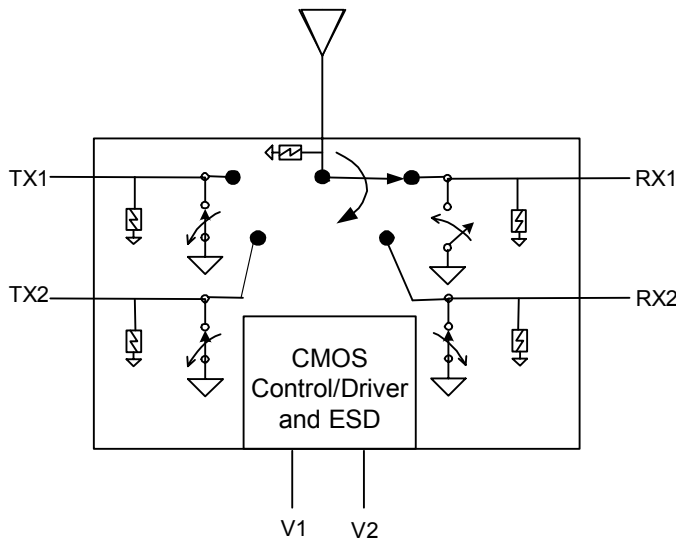
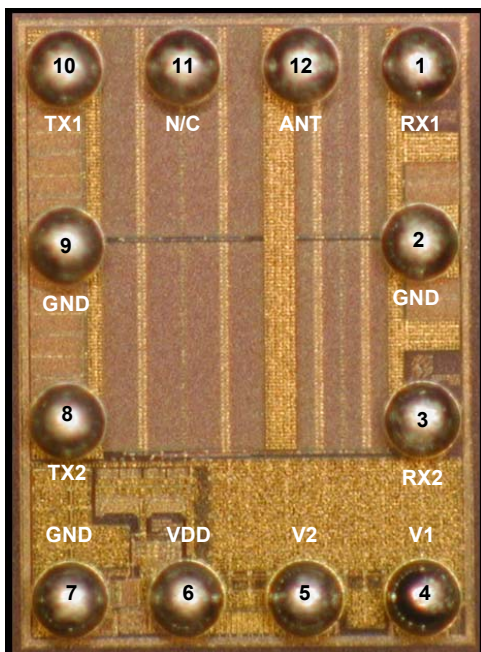


Figure 2. Die Top View



Features

- Two pin CMOS logic control inputs
- Low TX insertion loss: 0.55 dB at 900 MHz, 0.70 dB at 1900 MHz
- Isolation of 39 dB at 900 MHz, 31 dB at 1900 MHz
- Low harmonics $2f_o = -82$ dBc and $3f_o = -74$ dBc at 35 dBm input power
- 1500 V HBM ESD tolerance
- Built in CMOS decoder/driver
- RX SAW over voltage protection circuit
- No blocking capacitors required

Product Description

The PE4261 SP4T RF UltraCMOS™ Flip Chip Switch is designed specifically to address the needs of the antenna switch module market for GSM Handsets. On-chip CMOS decode logic is used to facilitate two-pin, low voltage CMOS control inputs. High ESD tolerance of 1500 V at all ports, no blocking capacitor requirements and on-chip SAW filter over-voltage protection devices make this the ultimate in integration and ease of use.

The PE4261 is manufactured on Peregrine's UltraCMOS™ process, a patented variation of silicon-on-insulator (SOI) technology on a sapphire substrate, offering the performance of GaAs with the economy and integration of conventional CMOS.

Table 1. PE4261 Electrical Specifications: Temp = 25°C, V_{DD} = 2.6 V

Parameter	Condition	Min	Typ	Max	Unit
Operational Frequency		100		3000	MHz
Insertion Loss	ANT - TX - 850 / 900 MHz		0.55	0.65	dB
	ANT - TX - 1800 / 1900 MHz		0.7	0.8	dB
	ANT - RX - 850 / 900 MHz		0.85	1.0	dB
	ANT - RX - 1800 / 1900 MHz		1.05	1.2	dB
Isolation	TX - RX - 850 / 900 MHz (TX ON)	37	39		dB
	TX - RX - 1800 / 1900 MHz (TX ON)	29	31		dB
	TX1 - TX2 - 850 / 900 MHz (TX1 ON)	33	35		dB
	TX1 - TX2 - 1800 / 1900 MHz (TX1 ON)	26	28		dB
Return Loss	850 / 900 MHz	18	20		dB
	1800 / 1900 MHz	14	16		dB
2nd Harmonic ^{1,2}	35 dBm TX Input Power - 850 / 900 MHz		-82	-78	dBc
	33 dBm TX Input Power - 1800 / 1900 MHz		-89	-82	dBc
3rd Harmonic ^{1,2}	35 dBm TX Input Power - 850 / 900 MHz		-74	-69	dBc
	33 dBm TX Input Power - 1800 / 1900 MHz		-68	-65	dBc
Switching time	(10-90%) (90-10%) RF		2	3	µs

- Notes: 1. Measured in Pulsed Wave Mode.
2. Assumes RF input duty cycle of 50% and 4620 µs, measured per 3GPP TS 45.005

Table 2. Pin Descriptions

Pin No.	Pin Name	Description
1	RX1 ³	RF I/O – RX1
2	GND	Ground
3	RX2 ³	RF I/O – RX2
4	V1	Switch control input, CMOS logic level
5	V2	Switch control input, CMOS logic level
6	VDD	Supply
7	GND	Ground
8	TX2 ³	RF I/O - TX2
9	GND	Ground
10	TX1 ³	RF I/O - TX1
11	N/C	No Connect – Pin to be connected to an electrically isolated low capacitance pad
12	ANT ³	RF Common – Antenna Input

- Note: 3. Blocking capacitors needed only when non-zero DC voltage present.

Figure 3. Pin Configuration (Ball-Side Up)

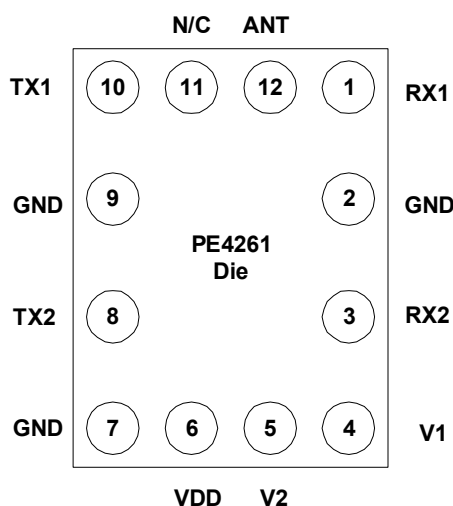


Table 3. Absolute Maximum Ratings

Symbol	Parameter/Conditions	Min	Max	Units
V _{DD}	Power supply voltage	-0.3	4.0	V
V _I	Voltage on any input	-0.3	V _{DD} +0.3	V
T _{ST}	Storage temperature range	-65	+150	°C
T _{OP}	Operating temperature range	-40	+85	°C
P _{IN}	TX input power (50 Ω)		+38	dBm
	RX input power (50 Ω)		+23	
P _{IN} (∞:1)	TX input power (VSWR = (∞:1) ^{5,6} 824-915 MHz		+35	dBm
	TX input power (VSWR = (∞:1) ^{5,6} 1710-1910 MHz		+33	
V _{ESD} ⁴	ESD Voltage (HBM, MIL_STD 883 Method 3015.7)		1500	V
	ESD Voltage (MM, JEDEC, JESD22-A114-B)		100	V
	ESD Voltage (CDM, JEDEC, JESD22-A114-B)		1500	V
	ESD Voltage (IEC 61000-4-2, ANT port)		2000	V

Note: 4. ANT port rated higher per Application note, see page 10.
5. Assumes RF input duty cycle of 50% and 4620 μs.
6. V_{DD} within operating range specified in Table 4.

Absolute Maximum Ratings are those values listed in the above table. Exceeding these values may cause permanent device damage. Functional operation should be restricted to the limits in the DC Electrical Specifications table. Exposure to absolute maximum ratings for extended periods may affect device reliability.

Table 6. Ordering Information

Order Code	Die ID	Description	Package	Shipping Method
PE4261-93	C9804_3	PE4261-DIE-D	Film Frame	Wafer (Gross Die / Wafer Quantity)
PE4261-96	C9804_3	PE4261-DIE-255G	Waffle Pack	255 Dice / Waffle Pack
PE4261-10	C9804_3	PE4261-DIE-1H	Evaluation Kit	1 / Box

Table 4. DC Electrical Specifications

Parameter	Min	Typ	Max	Units
V _{DD} Power Supply Voltage	2.4	2.6	2.8	V
I _{DD} Power Supply Current (V _{DD} = 2.6 V)		11	25	μA
Control Voltage High	0.7x V _{DD}			V
Control Voltage Low			0.3x V _{DD}	V

Table 5. Truth Table

Path	V2	V1
ANT - RX1	0	0
ANT - RX2	0	1
ANT - TX1	1	0
ANT - TX2	1	1

Electrostatic Discharge (ESD) Precautions

When handling this UltraCMOS™ device, observe the same precautions that you would use with other ESD-sensitive devices. Although this device contains circuitry to protect it from damage due to ESD, precautions should be taken to avoid exceeding the specified rating.

Latch-Up Avoidance

Unlike conventional CMOS devices, UltraCMOS™ devices are immune to latch-up.

Sales Offices

The Americas

Peregrine Semiconductor Corporation

9450 Carroll Park Drive
San Diego, CA 92121
Tel: 858-731-9400
Fax: 858-731-9499

Europe

Peregrine Semiconductor Europe

Bâtiment Maine
13-15 rue des Quatre Vents
F-92380 Garches, France
Tel: +33-1-47-41-91-73
Fax : +33-1-47-41-91-73

Space and Defense Products

Americas:

Tel: 858-731-9453

Europe, Asia Pacific:

180 Rue Jean de Guiramand
13852 Aix-En-Provence Cedex 3, France
Tel: +33(0) 4 4239 3361
Fax: +33(0) 4 4239 7227

North Asia Pacific

Peregrine Semiconductor K.K.

Teikoku Hotel Tower 10B-6
1-1-1 Uchisaiwai-cho, Chiyoda-ku
Tokyo 100-0011 Japan
Tel: +81-3-3502-5211
Fax: +81-3-3502-5213

Peregrine Semiconductor, Korea

#B-2402, Kolon Tripolis, #210
Geumgok-dong, Bundang-gu, Seongnam-si
Gyeonggi-do, 463-480 S. Korea
Tel: +82-31-728-4300
Fax: +82-31-728-4305

South Asia Pacific

Peregrine Semiconductor, China

Shanghai, 200040, P.R. China
Tel: +86-21-5836-8276
Fax: +86-21-5836-7652

For a list of representatives in your area, please refer to our Web site at: www.psemi.com

Data Sheet Identification

Advance Information

The product is in a formative or design stage. The data sheet contains design target specifications for product development. Specifications and features may change in any manner without notice.

Preliminary Specification

The data sheet contains preliminary data. Additional data may be added at a later date. Peregrine reserves the right to change specifications at any time without notice in order to supply the best possible product.

Product Specification

The data sheet contains final data. In the event Peregrine decides to change the specifications, Peregrine will notify customers of the intended changes by issuing a DCN (Document Change Notice).

The information in this data sheet is believed to be reliable. However, Peregrine assumes no liability for the use of this information. Use shall be entirely at the user's own risk.

No patent rights or licenses to any circuits described in this data sheet are implied or granted to any third party.

Peregrine's products are not designed or intended for use in devices or systems intended for surgical implant, or in other applications intended to support or sustain life, or in any application in which the failure of the Peregrine product could create a situation in which personal injury or death might occur. Peregrine assumes no liability for damages, including consequential or incidental damages, arising out of the use of its products in such applications.

The Peregrine name, logo, and UTSi are registered trademarks and UltraCMOS and HaRP are trademarks of Peregrine Semiconductor Corp.