

SANYO

No.2609B

L78M00T Series

5 to 24V 0.5A 3-Pin Voltage Regulators

Features

- . Output voltage

L78M05T:5V	L78M06T:6V	L78M07T:7V	L78M08T:8V
L78M09T:9V	L78M10T:10V	L78M12T:12V	L78M15T:15V
L78M18T:18V	L78M20T:20V	L78M24T:24V	
- . 500mA output
- . On-chip thermal protector
- . On-chip overcurrent limiter
- . On-chip ASO protector
- . Small-sized power package TP-3H permitting the equipment to be made compact
- . The allowable power dissipation can be increased by being surface-mounted on the board.
- . Capable of being mounted in a variety of methods because of various lead forming versions available

[Common to L78M00T series]

Maximum Ratings at Ta=25°C

Maximum Supply Voltage	V _{CC} max	Pin 1	35	V
Allowable Power Dissipation	Pd max	No fin	1.0	W
Operating Temperature	T _{opr}		-20 to +80	°C
Storage Temperature	T _{stg}		-40 to +150	°C

[L78M05T]

Recommended Operating Conditions at Ta=25°C

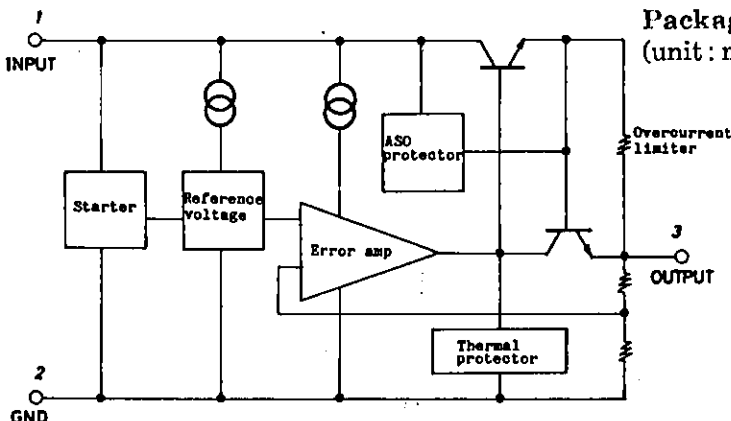
Input Voltage	V _{IN}	7.5 to 20	V
Output Current	I _{OUT}	5 to 500	mA

**Operating Characteristics at Ta=25°C, V_{IN}=10V, I_{OUT}=350mA,
See specified Test Circuit.**

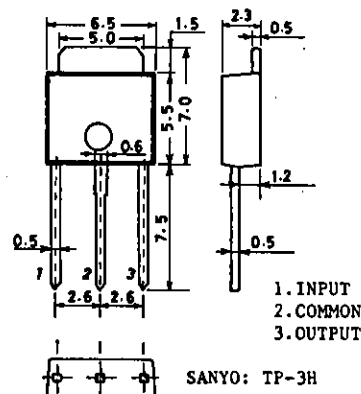
Output Voltage	V _{OUT}	T _j =25°C	4.8	5.0	5.2	V
Line Regulation	ΔV _{oline}	T _j =25°C, 7V ≤ V _{IN} ≤ 25V, I _{OUT} =200mA	3.0	50		mV
		T _j =25°C, 8V ≤ V _{IN} ≤ 20V, I _{OUT} =200mA	1.0	25		mV

Continued on next page.

Equivalent Circuit



Package Dimensions 3110 (unit: mm)



L78M00T Series

Continued from preceding page.

			min	typ	max	unit
Load Regulation	ΔV_{oload}	$T_j=25^\circ\text{C}, 5\text{mA} \leq I_{\text{OUT}} \leq 500\text{mA}$ $T_j=25^\circ\text{C}, 5\text{mA} \leq I_{\text{OUT}} \leq 200\text{mA}$			100	mV
Output Voltage	V_{OUT}	$7\text{V} \leq V_{\text{IN}} \leq 20\text{V}, 5\text{mA} \leq I_{\text{OUT}} \leq 350\text{mA}$	4.75		5.25	V
Current Dissipation	I_{CC}	$T_j=25^\circ\text{C}$		4.5	6.0	mA
Current Dissipation Variation (Line)	ΔI_{CCline}	$8\text{V} \leq V_{\text{IN}} \leq 25\text{V}, I_{\text{OUT}}=200\text{mA}$			0.8	mA
Current Dissipation Variation (Load)	ΔI_{CCload}	$5\text{mA} \leq I_{\text{OUT}} \leq 350\text{mA}$			0.5	mA
Output Noise Voltage	V_{NO}	$10\text{Hz} \leq f \leq 100\text{kHz}$		40		μV
Ripple Rejection	R_{rej}	$f=120\text{Hz}$ $I_{\text{OUT}}=100\text{mA}$ $8\text{V} \leq V_{\text{IN}} \leq 19\text{V}$ $I_{\text{OUT}}=300\text{mA}$ $T_j=25^\circ\text{C}$	62	80		dB
Minimum Input-Output Voltage Drop	V_{drop}	$I_{\text{OUT}}=350\text{mA}$		2.0		V
Short Current	I_{OS}	$T_j=25^\circ\text{C}, V_{\text{IN}}=35\text{V}, \text{to GND}$		300		mA
Peak Output Current	I_{op}	$T_j=25^\circ\text{C}$		0.7		A

[L78M06T]

Recommended Operating Conditions at $T_a=25^\circ\text{C}$			unit
Input Voltage	V_{IN}	8.5 to 21	V
Output Current	I_{OUT}	5 to 500	mA

Operating Characteristics at $T_a=25^\circ\text{C}, V_{\text{IN}}=11\text{V}, I_{\text{OUT}}=350\text{mA}$,
See specified Test Circuit.

			min	typ	max	unit
Output Voltage	V_{OUT}	$T_j=25^\circ\text{C}$	5.75	6.0	6.25	V
Line Regulation	ΔV_{oline}	$T_j=25^\circ\text{C}, 8\text{V} \leq V_{\text{IN}} \leq 25\text{V}, I_{\text{OUT}}=200\text{mA}$ $T_j=25^\circ\text{C}, 9\text{V} \leq V_{\text{IN}} \leq 20\text{V}, I_{\text{OUT}}=200\text{mA}$		5.0	60	mV
Load Regulation	ΔV_{oload}	$T_j=25^\circ\text{C}, 5\text{mA} \leq I_{\text{OUT}} \leq 500\text{mA}$ $T_j=25^\circ\text{C}, 5\text{mA} \leq I_{\text{OUT}} \leq 200\text{mA}$		1.5	30	mV
Output Voltage	V_{OUT}	$8\text{V} \leq V_{\text{IN}} \leq 21\text{V}, 5\text{mA} \leq I_{\text{OUT}} \leq 350\text{mA}$	5.7		6.3	V
Current Dissipation	I_{CC}	$T_j=25^\circ\text{C}$		4.5	6.0	mA
Current Dissipation Variation (Line)	ΔI_{CCline}	$9\text{V} \leq V_{\text{IN}} \leq 25\text{V}, I_{\text{OUT}}=200\text{mA}$			0.8	mA
Current Dissipation Variation (Load)	ΔI_{CCload}	$5\text{mA} \leq I_{\text{OUT}} \leq 350\text{mA}$			0.5	mA
Output Noise Voltage	V_{NO}	$10\text{Hz} \leq f \leq 100\text{kHz}$		45		μV
Ripple Rejection	R_{rej}	$f=120\text{Hz}$ $I_{\text{OUT}}=100\text{mA}$ $9\text{V} \leq V_{\text{IN}} \leq 20\text{V}$ $I_{\text{OUT}}=300\text{mA}$ $T_j=25^\circ\text{C}$	59	80		dB
Minimum Input-Output Voltage Drop	V_{drop}	$I_{\text{OUT}}=350\text{mA}$		2.0		V
Short Current	I_{OS}	$T_j=25^\circ\text{C}, V_{\text{IN}}=35\text{V}, \text{to GND}$		300		mA
Peak Output Current	I_{op}	$T_j=25^\circ\text{C}$		0.7		A

[L78M07T]

Recommended Operating Conditions at $T_a=25^\circ\text{C}$			unit
Input Voltage	V_{IN}	9.5 to 22	V
Output Current	I_{OUT}	5 to 500	mA

L78M00T Series

**Operating Characteristics at $T_a=25^\circ\text{C}$, $V_{IN}=12\text{V}$, $I_{OUT}=350\text{mA}$,
See specified Test Circuit.**

			min	typ	max	unit
Output Voltage	V_{OUT}	$T_j=25^\circ\text{C}$	6.72	7.0	7.28	V
Line Regulation	ΔV_{oline}	$T_j=25^\circ\text{C}$, $9\text{V} \leq V_{IN} \leq 25\text{V}$, $I_{OUT}=200\text{mA}$		6.0	60	mV
		$T_j=25^\circ\text{C}$, $10\text{V} \leq V_{IN} \leq 20\text{V}$, $I_{OUT}=200\text{mA}$		2.0	30	mV
Load Regulation	ΔV_{oload}	$T_j=25^\circ\text{C}$, $5\text{mA} \leq I_{OUT} \leq 500\text{mA}$			140	mV
		$T_j=25^\circ\text{C}$, $5\text{mA} \leq I_{OUT} \leq 200\text{mA}$			70	mV
Output Voltage	V_{OUT}	$9\text{V} \leq V_{IN} \leq 22\text{V}$, $5\text{mA} \leq I_{OUT} \leq 350\text{mA}$	6.6		7.4	V
Current Dissipation	I_{CC}	$T_j=25^\circ\text{C}$		4.6	6.0	mA
Current Dissipation Variation (Line)	ΔI_{CCline}	$10\text{V} \leq V_{IN} \leq 25\text{V}$, $I_{OUT}=200\text{mA}$			0.8	mA
Current Dissipation Variation (Load)	ΔI_{CCload}	$5\text{mA} \leq I_{OUT} \leq 350\text{mA}$			0.5	mA
Output Noise Voltage	V_{NO}	$10\text{Hz} \leq f \leq 100\text{kHz}$		48		μV
Ripple Rejection	R_{rej}	$f=120\text{Hz}$	58			dB
		$10\text{V} \leq V_{IN} \leq 21\text{V}$		58	80	dB
		$T_j=25^\circ\text{C}$				
Minimum Input-Output Voltage Drop	V_{drop}	$I_{OUT}=350\text{mA}$		2.0		V
Short Current	I_{OS}	$T_j=25^\circ\text{C}$, $V_{IN}=35\text{V}$, to GND		300		mA
Peak Output Current	I_{op}	$T_j=25^\circ\text{C}$		0.7		A

[L78M08T]

Recommended Operating Conditions at $T_a=25^\circ\text{C}$

			unit
Input Voltage	V_{IN}	10.5 to 23	V
Output Current	I_{OUT}	5 to 500	mA

**Operating Characteristics at $T_a=25^\circ\text{C}$, $V_{IN}=15\text{V}$, $I_{OUT}=350\text{mA}$,
See specified Test Circuit.**

			min	typ	max	unit
Output Voltage	V_{OUT}	$T_j=25^\circ\text{C}$	7.7	8.0	8.3	V
Line Regulation	ΔV_{oline}	$T_j=25^\circ\text{C}$, $10.5\text{V} \leq V_{IN} \leq 25\text{V}$, $I_{OUT}=200\text{mA}$		6.0	60	mV
		$T_j=25^\circ\text{C}$, $11\text{V} \leq V_{IN} \leq 20\text{V}$, $I_{OUT}=200\text{mA}$		2.0	30	mV
Load Regulation	ΔV_{oload}	$T_j=25^\circ\text{C}$, $5\text{mA} \leq I_{OUT} \leq 500\text{mA}$			160	mV
		$T_j=25^\circ\text{C}$, $5\text{mA} \leq I_{OUT} \leq 200\text{mA}$			80	mV
Output Voltage	V_{OUT}	$10.5\text{V} \leq V_{IN} \leq 23\text{V}$, $5\text{mA} \leq I_{OUT} \leq 350\text{mA}$	7.6		8.4	V
Current Dissipation	I_{CC}	$T_j=25^\circ\text{C}$		4.6	6.0	mA
Current Dissipation Variation (Line)	ΔI_{CCline}	$11\text{V} \leq V_{IN} \leq 25\text{V}$, $I_{OUT}=200\text{mA}$			0.8	mA
Current Dissipation Variation (Load)	ΔI_{CCload}	$5\text{mA} \leq I_{OUT} \leq 350\text{mA}$			0.5	mA
Output Noise Voltage	V_{NO}	$10\text{Hz} \leq f \leq 100\text{kHz}$		50		μV
Ripple Rejection	R_{rej}	$f=120\text{Hz}$	56			dB
		$11.5\text{V} \leq V_{IN} \leq 22\text{V}$		56	80	dB
		$T_j=25^\circ\text{C}$				
Minimum Input-Output Voltage Drop	V_{drop}	$I_{OUT}=350\text{mA}$		2.0		V
Short Current	I_{OS}	$T_j=25^\circ\text{C}$, $V_{IN}=35\text{V}$, to GND		300		mA
Peak Output Current	I_{op}	$T_j=25^\circ\text{C}$		0.7		A

[L78M09T]

Recommended Operating Conditions at $T_a=25^\circ\text{C}$

			unit
Input Voltage	V_{IN}	12 to 25	V
Output Current	I_{OUT}	5 to 500	mA

L78M00T Series

**Operating Characteristics at $T_a=25^\circ\text{C}$, $V_{IN}=16\text{V}$, $I_{OUT}=350\text{mA}$,
See specified Test Circuit.**

			min	typ	max	unit
Output Voltage	V_{OUT}	$T_j=25^\circ\text{C}$	8.6	9.0	9.4	V
Line Regulation	ΔV_{oline}	$T_j=25^\circ\text{C}$, $11.5\text{V} \leq V_{IN} \leq 25\text{V}$, $I_{OUT}=200\text{mA}$		6.0	100	mV
		$T_j=25^\circ\text{C}$, $12\text{V} \leq V_{IN} \leq 20\text{V}$, $I_{OUT}=200\text{mA}$		2.0	50	mV
Load Regulation	ΔV_{oload}	$T_j=25^\circ\text{C}$, $5\text{mA} \leq I_{OUT} \leq 500\text{mA}$			180	mV
		$T_j=25^\circ\text{C}$, $5\text{mA} \leq I_{OUT} \leq 200\text{mA}$			90	mV
Output Voltage	V_{OUT}	$11.5\text{V} \leq V_{IN} \leq 24\text{V}$, $5\text{mA} \leq I_{OUT} \leq 350\text{mA}$	8.5		9.5	V
Current Dissipation	I_{CC}	$T_j=25^\circ\text{C}$		4.6	6.0	mA
Current Dissipation Variation (Line)	ΔI_{CCline}	$12.5\text{V} \leq V_{IN} \leq 25\text{V}$, $I_{OUT}=200\text{mA}$			0.8	mA
Current Dissipation Variation (Load)	ΔI_{CCload}	$5\text{mA} \leq I_{OUT} \leq 350\text{mA}$			0.5	mA
Output Noise Voltage	V_{NO}	$10\text{Hz} \leq f \leq 100\text{kHz}$		60		μV
Ripple Rejection	R_{rej}	$f=120\text{Hz}$		56		dB
		$12\text{V} \leq V_{IN} \leq 23\text{V}$		56	80	dB
		$T_j=25^\circ\text{C}$				
Minimum Input-Output Voltage Drop	V_{drop}	$I_{OUT}=350\text{mA}$		2.0		V
Short Current	I_{OS}	$T_j=25^\circ\text{C}$, $V_{IN}=35\text{V}$, to GND		300		mA
Peak Output Current	I_{op}	$T_j=25^\circ\text{C}$		0.7		A

[L78M10T]

Recommended Operating Conditions at $T_a=25^\circ\text{C}$

			unit
Input Voltage	V_{IN}	13 to 25	V
Output Current	I_{OUT}	5 to 500	mA

**Operating Characteristics at $T_a=25^\circ\text{C}$, $V_{IN}=17\text{V}$, $I_{OUT}=350\text{mA}$,
See specified Test Circuit.**

			min	typ	max	unit
Output Voltage	V_{OUT}	$T_j=25^\circ\text{C}$	9.6	10.0	10.4	V
Line Regulation	ΔV_{oline}	$T_j=25^\circ\text{C}$, $12.5\text{V} \leq V_{IN} \leq 25\text{V}$, $I_{OUT}=200\text{mA}$		7.0	100	mV
		$T_j=25^\circ\text{C}$, $13\text{V} \leq V_{IN} \leq 22\text{V}$, $I_{OUT}=200\text{mA}$		2.0	50	mV
Load Regulation	ΔV_{oload}	$T_j=25^\circ\text{C}$, $5\text{mA} \leq I_{OUT} \leq 500\text{mA}$			200	mV
		$T_j=25^\circ\text{C}$, $5\text{mA} \leq I_{OUT} \leq 200\text{mA}$			100	mV
Output Voltage	V_{OUT}	$12.5\text{V} \leq V_{IN} \leq 25\text{V}$, $5\text{mA} \leq I_{OUT} \leq 350\text{mA}$	9.5		10.5	V
Current Dissipation	I_{CC}	$T_j=25^\circ\text{C}$		4.6	6.0	mA
Current Dissipation Variation (Line)	ΔI_{CCline}	$13.5\text{V} \leq V_{IN} \leq 25\text{V}$, $I_{OUT}=200\text{mA}$			0.8	mA
Current Dissipation Variation (Load)	ΔI_{CCload}	$5\text{mA} \leq I_{OUT} \leq 350\text{mA}$			0.5	mA
Output Noise Voltage	V_{NO}	$10\text{Hz} \leq f \leq 100\text{kHz}$		65		μV
Ripple Rejection	R_{rej}	$f=120\text{Hz}$		55		dB
		$13\text{V} \leq V_{IN} \leq 25\text{V}$		55	80	dB
		$T_j=25^\circ\text{C}$				
Minimum Input-Output Voltage Drop	V_{drop}	$I_{OUT}=350\text{mA}$		2.0		V
Short Current	I_{OS}	$T_j=25^\circ\text{C}$, $V_{IN}=35\text{V}$, to GND		300		mA
Peak Output Current	I_{op}	$T_j=25^\circ\text{C}$		0.7		A

L78M00T Series

[L78M12T]

Recommended Operating Conditions at Ta=25°C				unit
Input Voltage	V _{IN}	15 to 25	V	
Output Current	I _{OUT}	5 to 500	mA	

Operating Characteristics at Ta=25°C, V_{IN}=19V, I_{OUT}=350mA,
See specified Test Circuit.

			min	typ	max	unit
Output Voltage	V _{OUT}	T _j =25°C	11.5	12.0	12.5	V
Line Regulation	ΔV _{oline}	T _j =25°C, 14.5V ≤ V _{IN} ≤ 30V, I _{OUT} =200mA	8.0	100		mV
Load Regulation	ΔV _{oload}	T _j =25°C, 16V ≤ V _{IN} ≤ 25V, I _{OUT} =200mA	2.0	50		mV
		T _j =25°C, 5mA ≤ I _{OUT} ≤ 500mA			240	mV
Output Voltage	V _{OUT}	T _j =25°C, 5mA ≤ I _{OUT} ≤ 200mA		120		mV
Output Voltage	V _{OUT}	14.5V ≤ V _{IN} ≤ 27V, 5mA ≤ I _{OUT} ≤ 350mA	11.4		12.6	V
Current Dissipation	I _{CC}	T _j =25°C	4.8	6.0		mA
Current Dissipation	ΔI _{CCline}	15V ≤ V _{IN} ≤ 30V, I _{OUT} =200mA		0.8		mA
Variation (Line)						
Current Dissipation	ΔI _{CCload}	5mA ≤ I _{OUT} ≤ 350mA		0.5		mA
Variation (Load)						
Output Noise Voltage	V _{NO}	10Hz ≤ f ≤ 100kHz		75		μV
Ripple Rejection	R _{rej}	f=120Hz		55		dB
		15V ≤ V _{IN} ≤ 25V T _j =25°C	I _{OUT} =100mA I _{OUT} =300mA	55	80	dB
Minimum Input-Output	V _{drop}	I _{OUT} =350mA	2.0			V
Voltage Drop						
Short Current	I _{OS}	T _j =25°C, V _{IN} =35V, to GND	300			mA
Peak Output Current	I _{op}	T _j =25°C	0.7			A

[L78M15T]

Recommended Operating Conditions at Ta=25°C				unit
Input Voltage	V _{IN}	18 to 30	V	
Output Current	I _{OUT}	5 to 500	mA	

Operating Characteristics at Ta=25°C, V_{IN}=23V, I_{OUT}=350mA,
See specified Test Circuit.

			min	typ	max	unit
Output Voltage	V _{OUT}	T _j =25°C	14.4	15.0	15.6	V
Line Regulation	ΔV _{oline}	T _j =25°C, 17.5V ≤ V _{IN} ≤ 30V, I _{OUT} =200mA	10.0	100		mV
Load Regulation	ΔV _{oload}	T _j =25°C, 19V ≤ V _{IN} ≤ 30V, I _{OUT} =200mA	3.0	50		mV
		T _j =25°C, 5mA ≤ I _{OUT} ≤ 500mA			300	mV
Output Voltage	V _{OUT}	T _j =25°C, 5mA ≤ I _{OUT} ≤ 200mA		150		mV
Output Voltage	V _{OUT}	17.5V ≤ V _{IN} ≤ 30V, 5mA ≤ I _{OUT} ≤ 350mA	14.25		15.75	V
Current Dissipation	I _{CC}	T _j =25°C	4.8	6.0		mA
Current Dissipation	ΔI _{CCline}	17.5V ≤ V _{IN} ≤ 30V, I _{OUT} =200mA		0.8		mA
Variation (Line)						
Current Dissipation	ΔI _{CCload}	5mA ≤ I _{OUT} ≤ 350mA		0.5		mA
Variation (Load)						
Output Noise Voltage	V _{NO}	10Hz ≤ f ≤ 100kHz		90		μV
Ripple Rejection	R _{rej}	f=120Hz		54		dB
		18.5V ≤ V _{IN} ≤ 28.5V T _j =25°C	I _{OUT} =100mA I _{OUT} =300mA	54	70	dB
Minimum Input-Output	V _{drop}	I _{OUT} =350mA	2.0			V
Voltage Drop						
Short Current	I _{OS}	T _j =25°C, V _{IN} =35V, to GND	300			mA
Peak Output Current	I _{op}	T _j =25°C	0.7			A

L78M00T Series

[L78M18T]

Recommended Operating Conditions at Ta=25°C		unit
Input Voltage	V _{IN}	21 to 33 V
Output Current	I _{OUT}	5 to 500 mA

Operating Characteristics at Ta=25°C, V_{IN}=27V, I_{OUT}=350mA,
See specified Test Circuit.

			min	typ	max	unit
Output Voltage	V _{OUT}	T _j =25°C	17.3	18.0	18.7	V
Line Regulation	ΔV _{oline}	T _j =25°C, 21V ≤ V _{IN} ≤ 35V, I _{OUT} =200mA	10.0	100		mV
		T _j =25°C, 22V ≤ V _{IN} ≤ 35V, I _{OUT} =200mA	5.0	50		mV
Load Regulation	ΔV _{oload}	T _j =25°C, 5mA ≤ I _{OUT} ≤ 500mA			360	mV
		T _j =25°C, 5mA ≤ I _{OUT} ≤ 200mA			180	mV
Output Voltage	V _{OUT}	21V ≤ V _{IN} ≤ 33V, 5mA ≤ I _{OUT} ≤ 350mA	17.1		18.9	V
Current Dissipation	I _{CC}	T _j =25°C	4.9	6.0		mA
Current Dissipation	ΔI _{CCline}	21V ≤ V _{IN} ≤ 33V, I _{OUT} =200mA			0.8	mA
Variation (Line)						
Current Dissipation	ΔI _{CCload}	5mA ≤ I _{OUT} ≤ 350mA			0.5	mA
Variation (Load)						
Output Noise Voltage	V _{NO}	10Hz ≤ f ≤ 100kHz		100		μV
Ripple Rejection	R _{rej}	f=120Hz		53		dB
		22V ≤ V _{IN} ≤ 33V	I _{OUT} =100mA	53	70	dB
		T _j =25°C				
Minimum Input-Output	V _{drop}	I _{OUT} =350mA		2.0		V
Voltage Drop						
Short Current	I _{OS}	T _j =25°C, V _{IN} =35V, to GND		300		mA
Peak Output Current	I _{op}	T _j =25°C		0.7		A

[L78M20T]

Recommended Operating Conditions at Ta=25°C		unit
Input Voltage	V _{IN}	23 to 35 V
Output Current	I _{OUT}	5 to 500 mA

Operating Characteristics at Ta=25°C, V_{IN}=29V, I_{OUT}=350mA,
See specified Test Circuit.

			min	typ	max	unit
Output Voltage	V _{OUT}	T _j =25°C	19.2	20.0	20.8	V
Line Regulation	ΔV _{oline}	T _j =25°C, 23V ≤ V _{IN} ≤ 35V, I _{OUT} =200mA	10.0	100		mV
		T _j =25°C, 24V ≤ V _{IN} ≤ 35V, I _{OUT} =200mA	5.0	50		mV
Load Regulation	ΔV _{oload}	T _j =25°C, 5mA ≤ I _{OUT} ≤ 500mA			400	mV
		T _j =25°C, 5mA ≤ I _{OUT} ≤ 200mA			200	mV
Output Voltage	V _{OUT}	23V ≤ V _{IN} ≤ 35V, 5mA ≤ I _{OUT} ≤ 350mA	19.0		21.0	V
Current Dissipation	I _{CC}	T _j =25°C	4.9	6.0		mA
Current Dissipation	ΔI _{CCline}	23V ≤ V _{IN} ≤ 35V, I _{OUT} =200mA			0.8	mA
Variation (Line)						
Current Dissipation	ΔI _{CCload}	5mA ≤ I _{OUT} ≤ 350mA			0.5	mA
Variation (Load)						
Output Noise Voltage	V _{NO}	10Hz ≤ f ≤ 100kHz		110		μV
Ripple Rejection	R _{rej}	f=120Hz		53		dB
		24V ≤ V _{IN} ≤ 34V	I _{OUT} =100mA	53	70	dB
		T _j =25°C				
Minimum Input-Output	V _{drop}	I _{OUT} =350mA		2.0		V
Voltage Drop						
Short Current	I _{OS}	T _j =25°C, V _{IN} =35V, to GND		300		mA
Peak Output Current	I _{op}	T _j =25°C		0.7		A

L78M00T Series

[L78M24T]

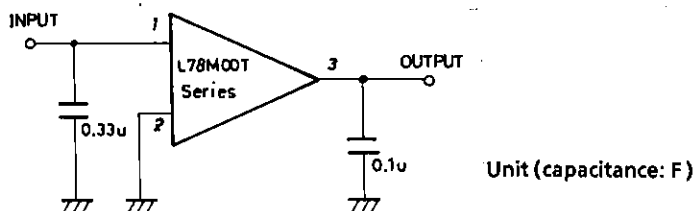
Recommended Operating Conditions at Ta=25°C

Parameter	Symbol	Value	Unit
Input Voltage	V _{IN}	27 to 35	V
Output Current	I _{OUT}	5 to 500	mA

Operating Characteristics at Ta=25°C, V_{IN}=33V, I_{OUT}=350mA, See specified Test Circuit.

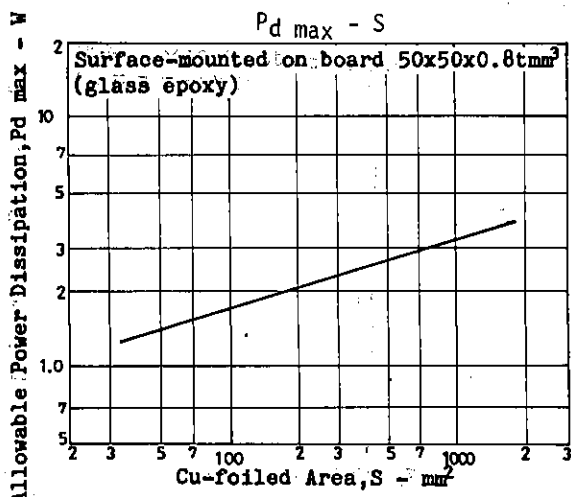
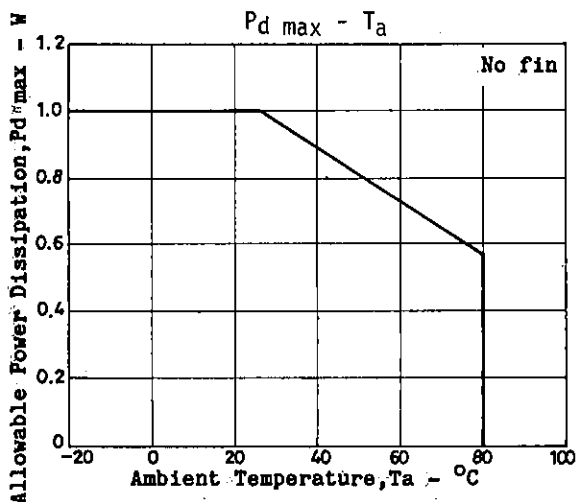
Parameter	Symbol	Conditions	min	typ	max	Unit
Output Voltage	V _{OUT}	T _j =25°C	23.0	24.0	25.0	V
Line Regulation	ΔV _{oline}	T _j =25°C, 27V ≤ V _{IN} ≤ 35V, I _{OUT} =200mA	10.0		100	mV
		T _j =25°C, 28V ≤ V _{IN} ≤ 35V, I _{OUT} =200mA	5.0		50	mV
Load Regulation	ΔV _{oload}	T _j =25°C, 5mA ≤ I _{OUT} ≤ 500mA			480	mV
		T _j =25°C, 5mA ≤ I _{OUT} ≤ 200mA			240	mV
Output Voltage	V _{OUT}	27V ≤ V _{IN} ≤ 35V, 5mA ≤ I _{OUT} ≤ 350mA	22.8		25.2	V
Current Dissipation	I _{CC}	T _j =25°C	5.0		6.0	mA
Current Dissipation Variation (Line)	ΔI _{CCline}	27V ≤ V _{IN} ≤ 35V, I _{OUT} =200mA			0.8	mA
Current Dissipation Variation (Load)	ΔI _{CCload}	5mA ≤ I _{OUT} ≤ 350mA			0.5	mA
Output Noise Voltage	V _{NO}	10Hz ≤ f ≤ 100kHz		170		μV
Ripple Rejection	R _{rej}	f=120Hz, I _{OUT} =100mA	50			dB
		28V ≤ V _{IN} ≤ 35V, I _{OUT} =300mA, T _j =25°C	50	70		dB
Minimum Input-Output Voltage Drop	V _{drop}	I _{OUT} =350mA		2.0		V
Short Current	I _{OS}	T _j =25°C, V _{IN} =35V, to GND		300		mA
Peak Output Current	I _{op}	T _j =25°C		0.7		A

Specified Test Circuit (Common to L78M00T series)



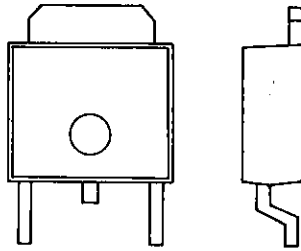
The allowable power dissipation (Pd max) is 1.0W (Ta=25°C) with no fin attached. When the L78M00T series are surface-mounted on a hybrid IC board or printed circuit board, a high allowable power dissipation can be obtained, though they are placed in a small-sized package.

Shown below is the relationship between the Cu-foiled area and the allowable power dissipation when the L78M00T series are surface-mounted on a glass epoxy board (50x50x0.8tmm³).

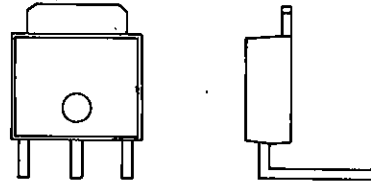


L78M00T Series

Lead Formings



FA forming



LR forming

- No products described or contained herein are intended for use in surgical implants, life-support systems, aerospace equipment, nuclear power control systems, vehicles, disaster/crime-prevention equipment and the like, the failure of which may directly or indirectly cause injury, death or property loss.
- Anyone purchasing any products described or contained herein for an above-mentioned use shall:
 - ① Accept full responsibility and indemnify and defend SANYO ELECTRIC CO., LTD., its affiliates, subsidiaries and distributors and all their officers and employees, jointly and severally, against any and all claims and litigation and all damages, cost and expenses associated with such use:
 - ② Not impose any responsibility for any fault or negligence which may be cited in any such claim or litigation on SANYO ELECTRIC CO., LTD., its affiliates, subsidiaries and distributors or any of their officers and employees jointly or severally.
- Information (including circuit diagrams and circuit parameters) herein is for example only; it is not guaranteed for volume production. SANYO believes information herein is accurate and reliable, but no guarantees are made or implied regarding its use or any infringements of intellectual property rights or other rights of third parties.