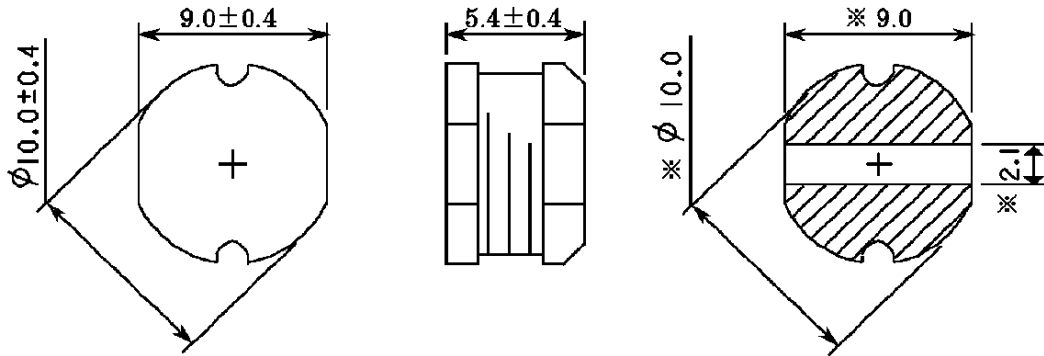


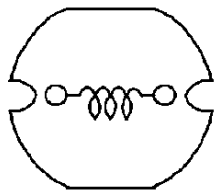
<b>SPECIFICATION</b>		
	SUMIDA TYPE      CD105	PART NO.    REF. TO THE ATTACHED SHEET.

1. DIMENSION (UNIT mm)

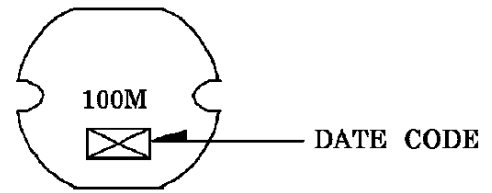


△ \* DIMENSION OF ELECTRODE IS TYPICAL

2. CONNECTION (BOTTOM)



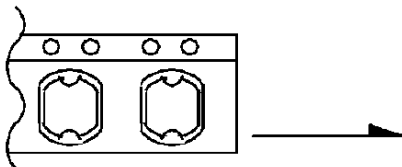
3. STAMP (Ex.)



DIRECTLY STAMP  
UNFIXED THE POSITION

4. NOTE

\* ENCLOSING CONDITION OF COILS.

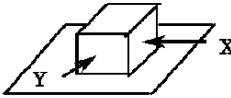


\* CARRIER TAPE PACKING SPECIFICATION IN DETAIL.(S-074-404)

\* (RECOMMENDED REFLOW CONDITION TO BE ACCORDING TO S-074-5003.)

24 th SEP., 1993			SUMIDA CODE	4719
CH K.	CH K.	DR G.	DRG. NO.      2/5	
O.SATO	KOMA ITA	KIKYO		
			<b>S-074-425</b>	

GENERAL CHARACTERISTICS	TYPE CD105
-------------------------	---------------

1. OPERATING TEMPERATURE : -30 ~ +100 °C (COIL CONTAIN HEAT)
  2. EXTERNAL APPEARANCE : ON VISUAL INSPECTION, THE COIL HAS NO EXTERNAL DEFECTS.
  3. ELECTRODE STRENGTH  $\Delta$  : AFTER SOLDERING, BETWEEN COPPER PLATE AND ELECTRODE OF COIL, PUSH IN TWO DIRECTIONS OF X, Y WITHSTANDING 20N (2.04kgf) FOR 10±2 SECONDS. ELECTRODE SHOULD NOT PEEL OFF. (REFER TO FIGURE AT RIGHT)
- 
4. HEAT ENDURANCE TEST : REFER TO S-074-5002.
  5. DIELECTRIC STRENGTH : NO APPARENT AT 100V D.C. FOR 1 MINUTE BETWEEN COIL-CORE.
  6. INSULATING RESISTANCE : OVER 100 MΩ AT 100V D.C. BETWEEN COIL-CORE.
  7. INDUCTANCE TEMPERATURE COEFFICIENT : ( 0 ~ 2000 )×10<sup>-6</sup>/°C (-25 ~ + 70 °C)
  8. HUMIDITY TEST : INDUCTANCE DEVIATION WITHIN ± 5.0 %  
  
AFTER 96 HOURS IN 90 ~ 95 % RELATIVE HUMIDITY AT 40 ± 2°C AND 1 HOUR DRYING UNDER NORMAL CONDITION.
  9. VIBRATION TEST : INDUCTANCE DEVIATION WITHIN ± 2.0 % AFTER VIBRATION FOR 2 HOUR. IN EACH OF THREE ORIENTATIONS AT SWEEP VIBRATION (10~55~10 Hz) WITH 1.5 mm P-P AMPLITUDE.
  10. SHOCK TEST : INDUCTANCE DEVIATION WITHIN ± 2.0 % AFTER DROP DOWN WITH 981m/s<sup>2</sup>(100G) SHOCK ATTITUDE UPON A RUBBER BLOCK METHOD SHOCK TESTING MACHINE, FOR 1 TIME, IN EACH OF THREE ORIENTATIONS.

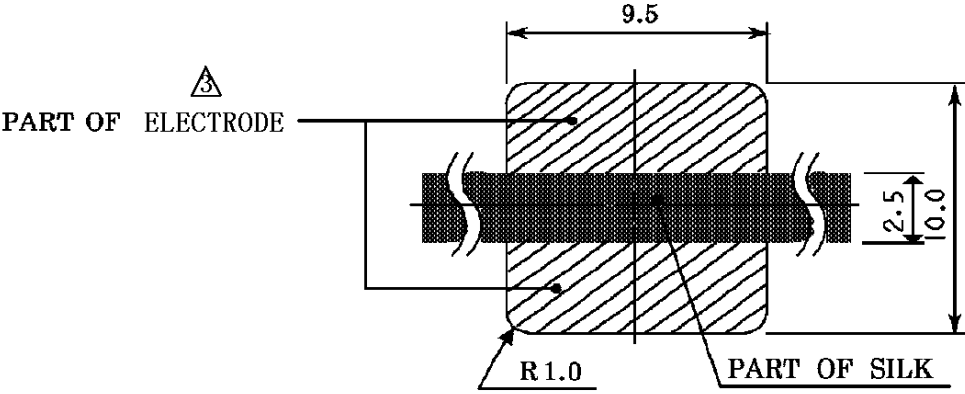
24 th SEP. , 1993		
C H K.	C H K.	D R G.
O.SATO	KOMA ITA	KIKYO

DRG. NO.	3/5
<b>S-074-425</b>	



SPECIFICATION	TYPE CD105
---------------	---------------

DIMENSION RECOMMENDED (mm)



PLEASE COAT WITH SILK BETWEEN TERMINAL.  
THICKNESS OF METALMASK RECOMMENDED 0.2t

24 th SEP., 1993

C H K.	C H K.	D R G.
O.SATO	KOMA ITA	KIKYO

DRG. NO.	5/5
<b>S-074-425</b>	