

0603 SM NTC Thermistors TCT3G Series

TATEYAMA



- 0603 Size
- 6 Values
- Tolerance $\pm 5\%$ at 25°C
- Temperature range -40°C to +125°C

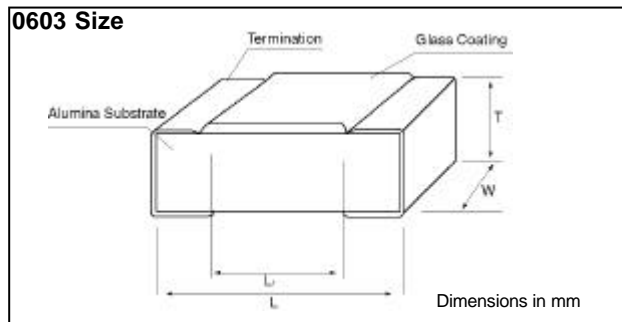


Diagram Dimensions

	L	W	T	L1
TCT3G	1.6 \pm 0.15	0.80 \pm 0.15	0.50 \pm 0.10	1.20 \pm 0.20

Specifications:

Dissipation Constant	1.5mW/°C
Thermal time constant	5 Seconds
Rated Power	1mW

Part Number	Resistance Value @ 25°C $\pm 5\%$	β Value
TCT3GJ 103H3435	10K	3435K $\pm 3\%$
TCT3GJ 153H385	15K	3850K $\pm 3\%$
TCT3GJ 203H395	20K	3950K $\pm 3\%$
TCT3GJ 223H395	22K	3950K $\pm 3\%$
TCT3GJ 104H410	100K	4100K $\pm 3\%$
TCT3GJ 154H410	150K	4100K $\pm 3\%$

Rhopoint Components Ltd

Tel: +44 (0) 870 608 1188 Fax: +44 (0) 870 241 2255
 Germany: +49 (0) 692 199 8606 Fax: +49 (0) 692 199 8595
 Email: sales@rhpointcomponents.com Website: www.rhpointcomponents.com