

**JPHEMT High Power DPDT Switch with Logic Control**

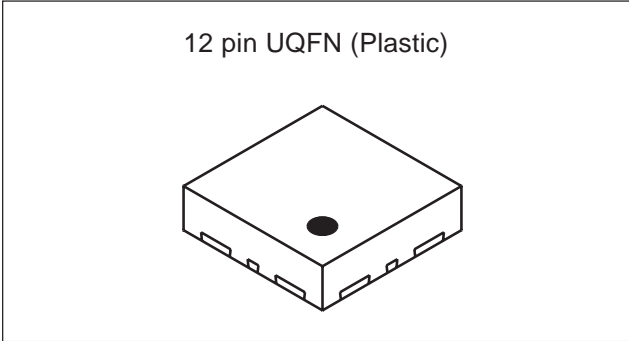
---

**Description**

The CXG1172UR can be used in wireless communication systems, for example, CDMA handsets, W-CDMA handsets.

The IC has on-chip logic for operation with 1 CMOS control input.

The Sony JPHEMT process is used for low insertion loss and on-chip logic circuit.



**Features**

- Low insertion loss: 0.3dB@900MHz, 0.45dB@2GHz
- 1 CMOS compatible control line
- Small package size: 12-pin UQFN

**Applications**

Antenna switch for cellular handsets  
W-CDMA, CDMA

**Structure**

GaAs JPHEMT MMIC

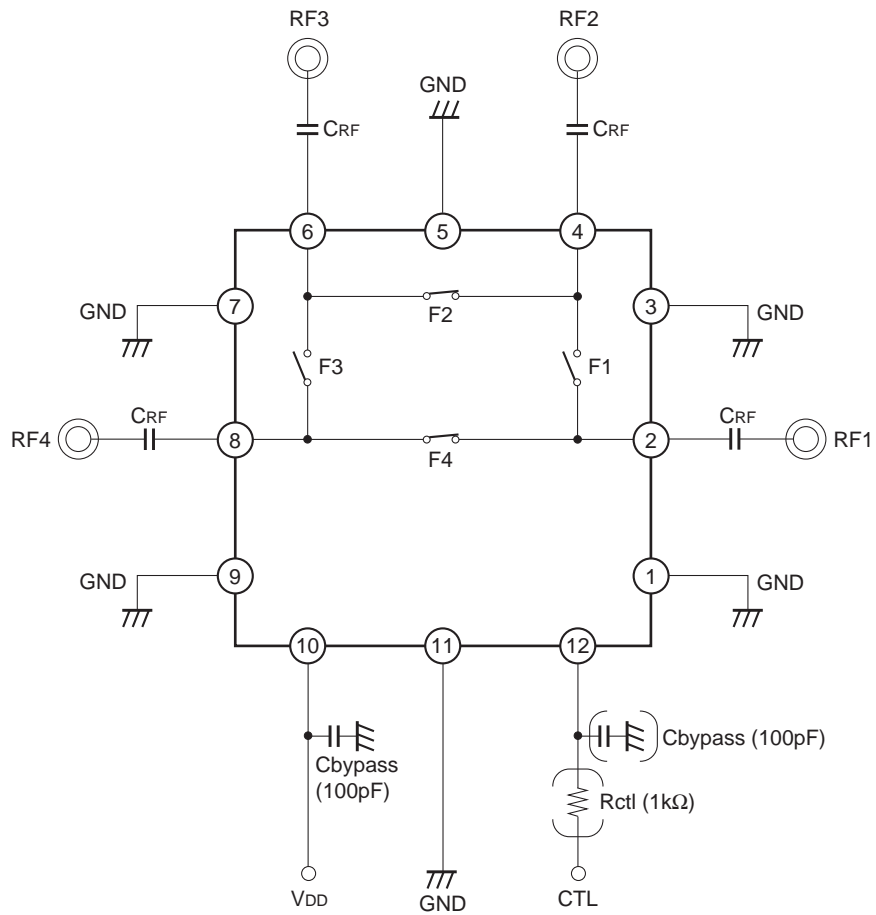
**Absolute Maximum Ratings** (Ta = 25°C)

- |                         |                  |             |    |
|-------------------------|------------------|-------------|----|
| • Bias voltage          | V <sub>DD</sub>  | 7           | V  |
| • Control voltage       | V <sub>ctl</sub> | 5           | V  |
| • Operating temperature | T <sub>opr</sub> | -35 to +85  | °C |
| • Storage temperature   | T <sub>stg</sub> | -65 to +150 | °C |

GaAs MMICs are ESD sensitive devices. Special handling precautions are required.

Sony reserves the right to change products and specifications without prior notice. This information does not convey any license by any implication or otherwise under any patents or other right. Application circuits shown, if any, are typical examples illustrating the operation of the devices. Sony cannot assume responsibility for any problems arising out of the use of these circuits.

Block Diagram and Recommended Circuit



When using this IC, the following external components should be used.

Rctl: This resistor is used to improve ESD performance. 1kΩ is recommended.

CRF: This capacitor is used for RF decoupling and must be used for all applications.

Cbypass: This capacitor is used for DC line filtering. 100pF is recommended.

Truth Table

CTL	ON state	OFF state	F1	F2	F3	F4
L	RF1 – RF2, RF3 – RF4	RF2 – RF3, RF4 – RF1	ON	OFF	ON	OFF
H	RF2 – RF3, RF4 – RF1	RF1 – RF2, RF3 – RF4	OFF	ON	OFF	ON

**DC Bias Condition** (Ta = 25°C)

Item	Min.	Typ.	Max.	Unit
Vctl (H)	2.0	2.85	3.6	V
Vctl (L)	0	—	0.4	V
VDD	2.5	2.85	3.6	V

**Electrical Characteristics** (Ta = 25°C)

Item	Symbol	Condition	Min.	Typ.	Max.	Unit
Insertion loss	IL	900MHz		0.30	0.50	dB
		1500MHz		0.35	0.55	dB
		2000MHz		0.45	0.65	dB
Isolation	ISO.	900MHz	14	22		dB
		1500MHz	10	18		dB
		2000MHz	8	16		dB
VSWR	VSWR	50Ω		1.2	1.5	—
Switching speed	TSW			8		μs
1dB compression input power	P1dB	*1, *2	33			dBm
Input IP3	IIP3	*3	50	60		dBm
ACLR	ACLR1	*1, ±5MHz		-60	-50	dBc
	ACLR2	*1, ±10MHz		-60	-55	dBc
Harmonics	2fo	*1		-75	-55	dBc
	3fo	*1		-75	-55	dBc
	2fo	*2		-75	-60	dBc
	3fo	*2		-75	-60	dBc
Bias current	IDD	VDD = 2.85V		25	50	μA
Control current	Ictl	Vctl (H) = 2.85V		15	25	μA

\*1 Pin = 25dBm, 0/2.85V control, VDD = 2.85V, 1920 to 1980MHz

\*2 Pin = 25dBm, 0/2.85V control, VDD = 2.85V, 900MHz

\*3 Pin = 25dBm (900MHz) + 25dBm (901MHz), 0/2.85V control, VDD = 2.85V

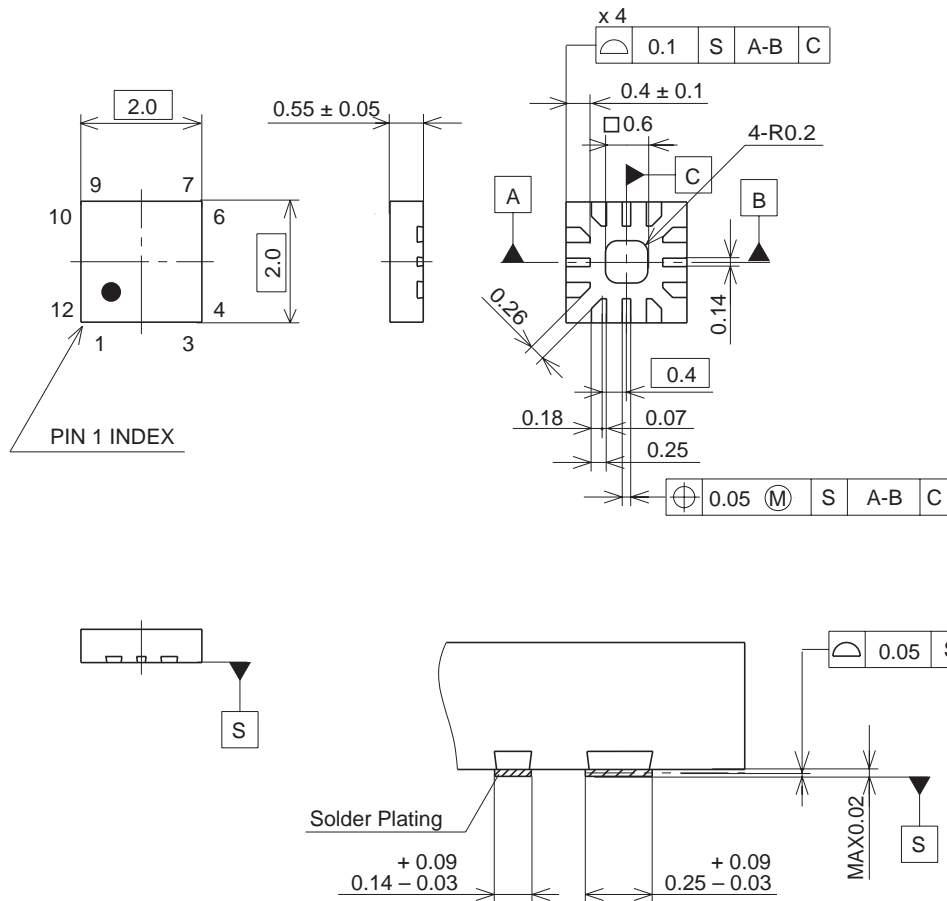
**Pin Description**

Pin No.	Symbol	Description
2	RF1	RF input/output. Connect capacitor (recommended value: 100pF) in use
4	RF2	RF input/output. Connect capacitor (recommended value: 100pF) in use
6	RF3	RF input/output. Connect capacitor (recommended value: 100pF) in use
8	RF4	RF input/output. Connect capacitor (recommended value: 100pF) in use
10	V <sub>DD</sub>	DC power supply
12	CTL	Logic control
1, 3, 5, 7, 9, 11	GND	GND

Package Outline

Unit: mm

12PIN UQFN (PLASTIC)



TERMINAL SECTION

Note:Cutting burr of lead are 0.05mm MAX.

SONY CODE	UQFN-12P-01
EIAJ CODE	_____
JEDEC CODE	_____

PACKAGE STRUCTURE

PACKAGE MATERIAL	EPOXY RESIN
LEAD TREATMENT	SOLDER PLATING
LEAD MATERIAL	COPPER ALLOY
PACKAGE MASS	0.01g

LEAD PLATING SPECIFICATIONS

ITEM	SPEC.
LEAD MATERIAL	COPPER ALLOY
SOLDER COMPOSITION	Sn-Bi Bi:1-4wt%
PLATING THICKNESS	5-18µm