

Distinctive Characteristics

Sealed construction prevents contact contamination and allows vapor phase and IR reflow soldering. Sealed design accomplished with seals between the actuator and housing and between housing and base.

Highly visible legends and choice of screwdriver or shaft actuation to provide trouble-free code setting.

Detent mechanism designed for crisp, positive action for accurate switch setting.

Bifurcated, spring loaded contacts give unmatched logic-level reliability.

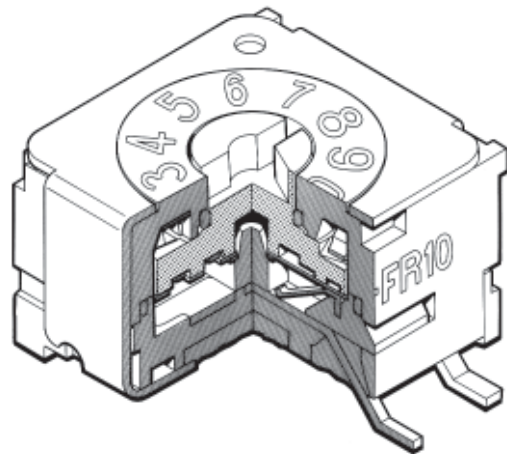
Heat tolerant resin used for body meets UL flammability rating of 94V-0 and maintains switch reliability through vapor phase and infrared convection reflow soldering.

Gull-winged terminals ensure mechanical stability during soldering and simplified solder joint inspection.

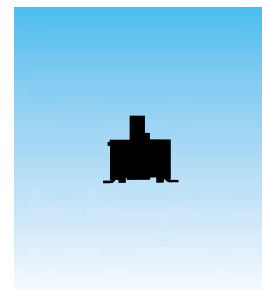
.100" terminal grid spacing between pin centers, plus 3-by-3 terminal arrangement for pad layout pattern equivalent to industry standard.

Epoxy sealed terminals lock out flux, solvents, and other contaminants.

Coplanarity tolerance zone is 0.15mm (.0059") maximum, the allowable distance between all considered surfaces in two parallel planes. (Additional details in Terms and Acronyms; see Supplement Index page Z2.)



Actual Size



General Specifications

Electrical Capacity (Resistive Load)

Switching Rating: 100mA @ 5V DC
Nonswitching Rating: 100mA @ 50V DC

Other Ratings

Contact Resistance: 80 milliohms maximum for circuit; 30 milliohms maximum for contact point
Insulation Resistance: 1,000 megohms minimum @ 250V DC
Dielectric Strength: 250V AC minimum for 1 minute minimum
Mechanical Life: 20,000 detent operations minimum
Electrical Life: 20,000 detent operations minimum

Note: A detent operation is one actuator position operation or stepping.
 20,000 detent operations = 1,250 cycles for hexadecimal devices or
 2,000 cycles for decimal devices. A cycle is one 360° rotation.

Nominal Operating Torque: .061 kgf/cm (.846 oz/in)
Contact Timing: Nonshorting (break-before-make)

Materials & Finishes

Actuator: Glass fiber reinforced polyamide
Housing: Glass fiber reinforced polyamide (UL94V-0)
O-ring: Nitrile butadiene rubber
Base: Glass fiber reinforced polyamide (UL94V-0)
Movable Contact: Beryllium copper with gold plating
Stationary Contacts: Brass with gold plating
Terminals: Brass with gold plating

Environmental Data

Operating Temp Range: -25°C through +85°C (-13°F through +185°F)
Humidity: 90 ~ 95% humidity for 100 hours @ 40°C (104°F)
Vibration: 10 ~ 55Hz with peak-to-peak amplitude of 1.5mm traversing the frequency range & returning in 1 minute; 3 right angled directions for 2 hours
Shock: 50G (490m/s²) acceleration (tested in 6 right angled directions, with 5 shocks in each direction)

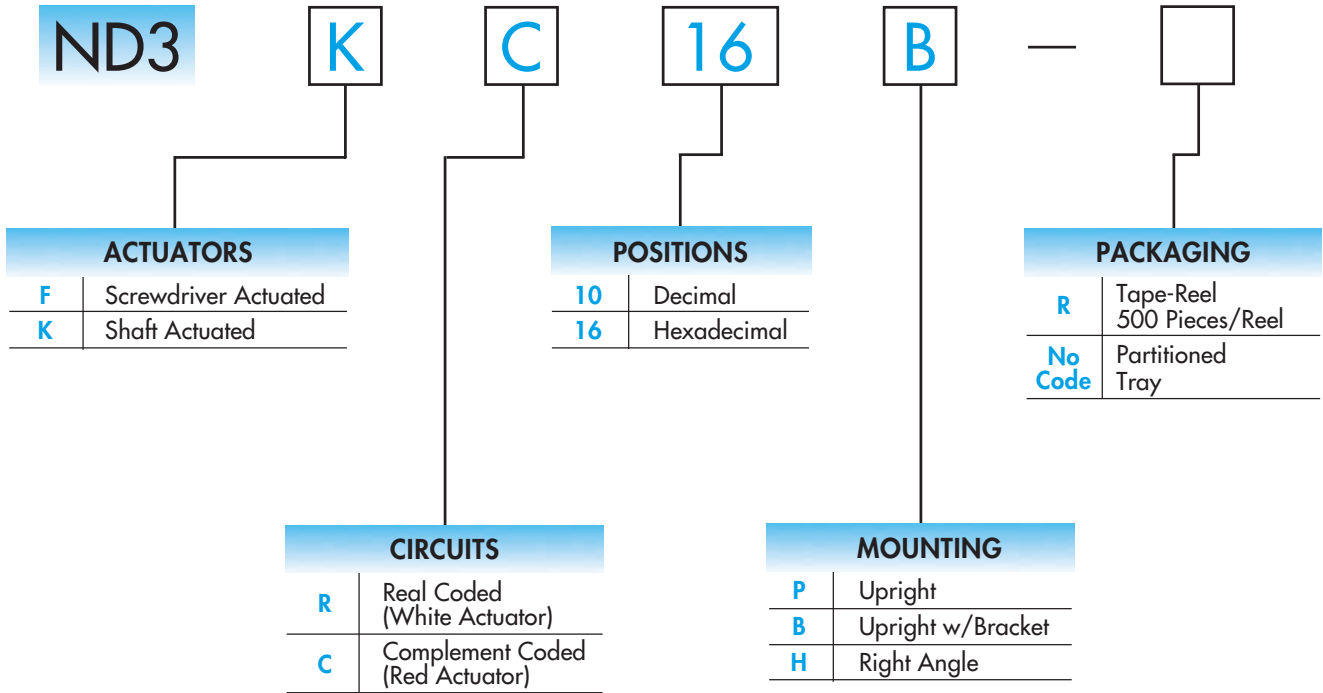
Installation

Soldering Time & Temperature: 3 seconds @ 350°C manual solder or
 See Supplement Index (page Z2) for automated SMT methods.
Process Seal: See Supplement Index (page Z2) for specific processing data.

Standards & Certifications

Flammability Standards: UL 94V-0 rated housing & base
UL Recognition or CSA Certification: The ND3 Series rotaries have not been tested for UL recognition or CSA certification. These switches are designed for use in a low-voltage, low-current, logic-level circuit. When used as intended in a logic-level circuit, the results do not produce hazardous energy.

TYPICAL SWITCH ORDERING EXAMPLE



DESCRIPTION FOR TYPICAL ORDERING EXAMPLE

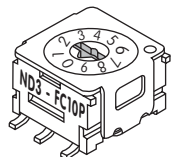
ND3KC16B



ACTUATORS

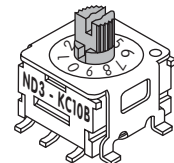
F Screwdriver Actuated

Actuator colors:
white for real coded &
red for complement coded.



K Shaft Actuated

Actuator colors:
white for real coded &
red for complement coded.



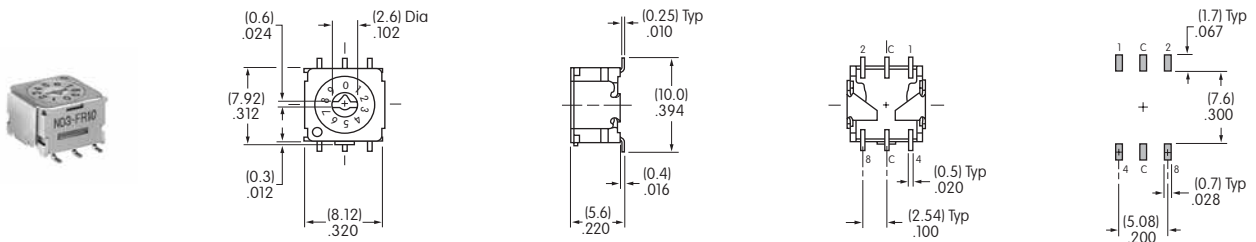
Actuators are fully rotational in either direction.

TRUTH TABLES (CIRCUITS & POSITIONS)

Actuator Position ● = on		10 Decimal										16 Hexadecimal															
		0	1	2	3	4	5	6	7	8	9	0	1	2	3	4	5	6	7	8	9	A	B	C	D	E	F
R Real Coded Model Numbers: ND3FR, ND3KR	1		●		●		●		●		●		●		●		●		●		●		●		●		●
	2			●	●			●	●				●	●			●	●				●	●			●	●
	4					●	●	●	●						●	●	●	●					●	●	●	●	
	8									●	●									●	●	●	●			●	●
C Complement Coded Model Numbers: ND3FC, ND3KC	1	●		●		●		●		●		●		●		●		●		●		●		●		●	
	2	●	●			●	●			●	●			●	●			●	●			●	●			●	●
	4	●	●	●	●					●	●	●	●					●	●	●	●					●	●
	8	●	●	●	●	●	●							●	●	●	●										

TYPICAL SWITCH DIMENSIONS

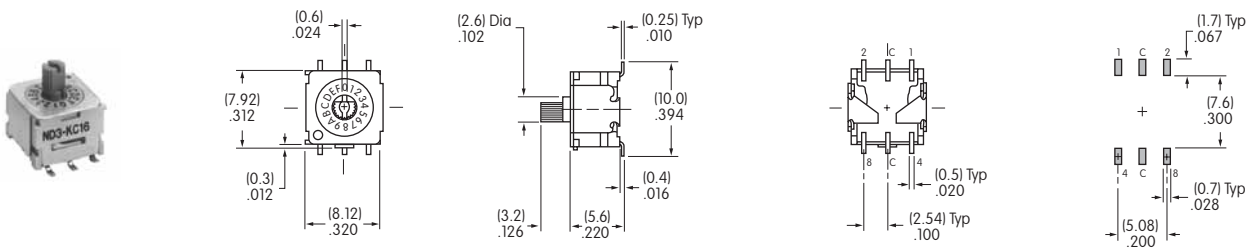
P Screwdriver Actuated • Upright



ND3FR10P

Terminal numbers not on switch

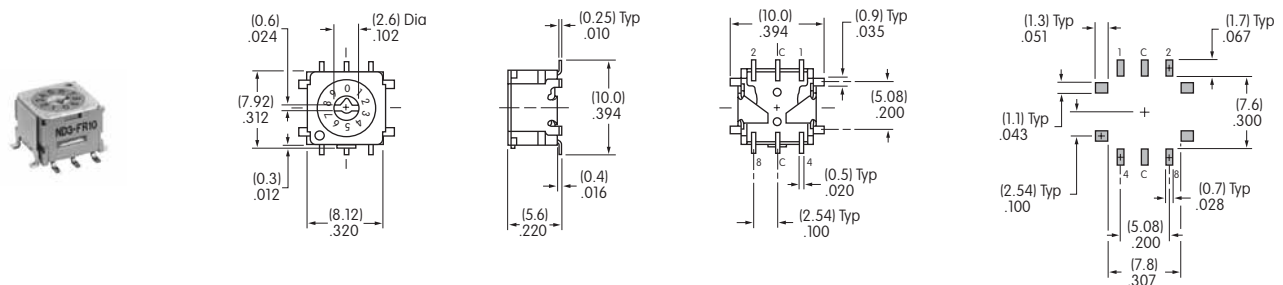
P Shaft Actuated • Upright



ND3KC16P

Terminal numbers not on switch

B Screwdriver Actuated • Upright with Bracket

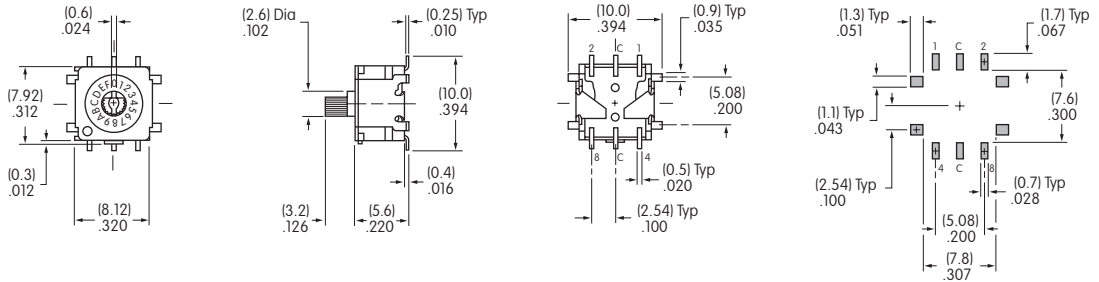


ND3FR10B

Terminal numbers not on switch

TYPICAL SWITCH DIMENSIONS

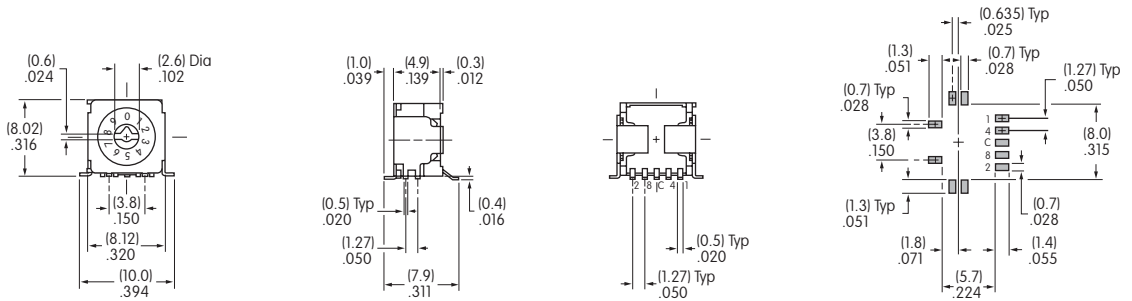
B Shaft Actuated • Upright with Bracket



ND3KC16B

Terminal numbers not on switch

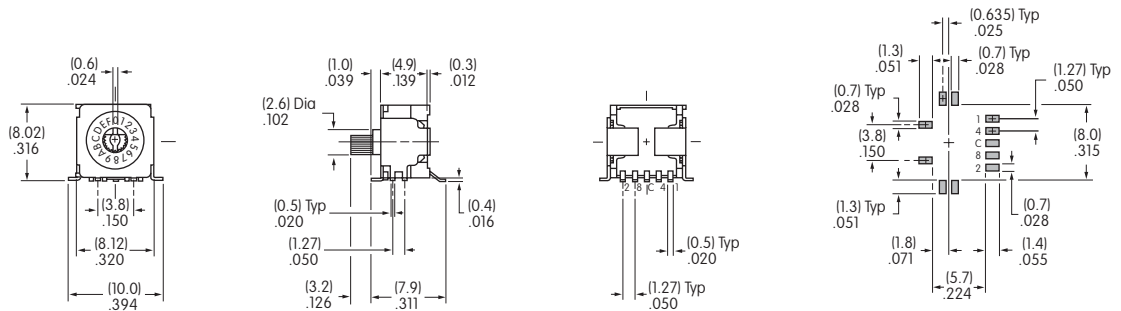
H Screwdriver Actuated • Right Angle



ND3FC10H

Terminal numbers not on switch

H Shaft Actuated • Right Angle



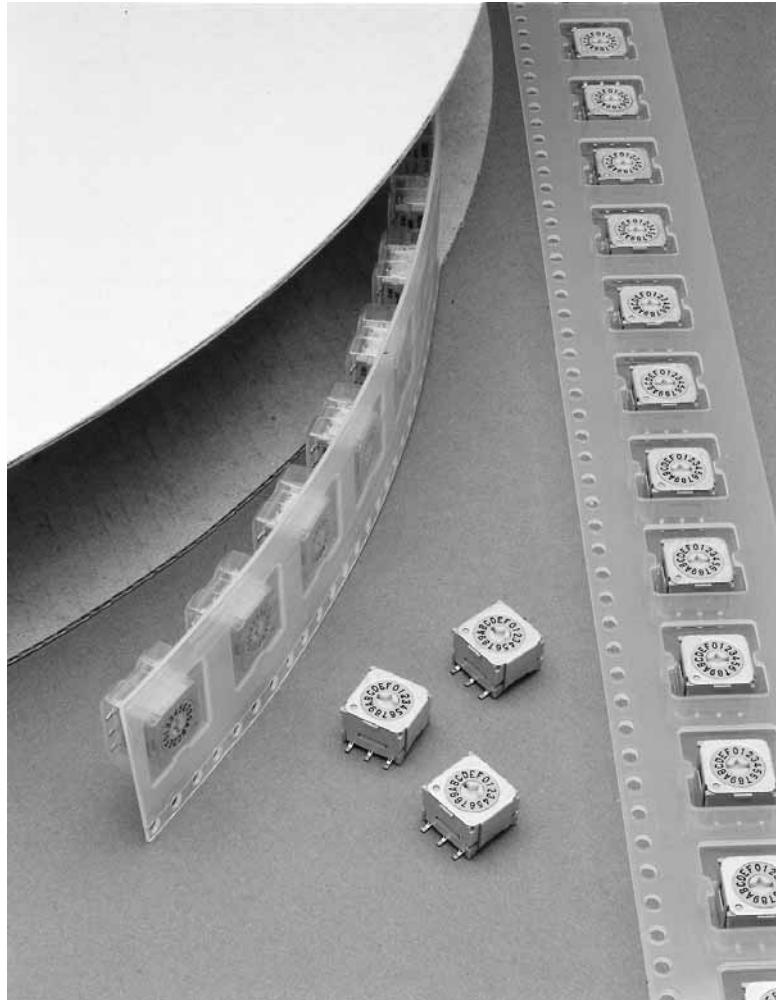
ND3KR16H

Terminal numbers not on switch

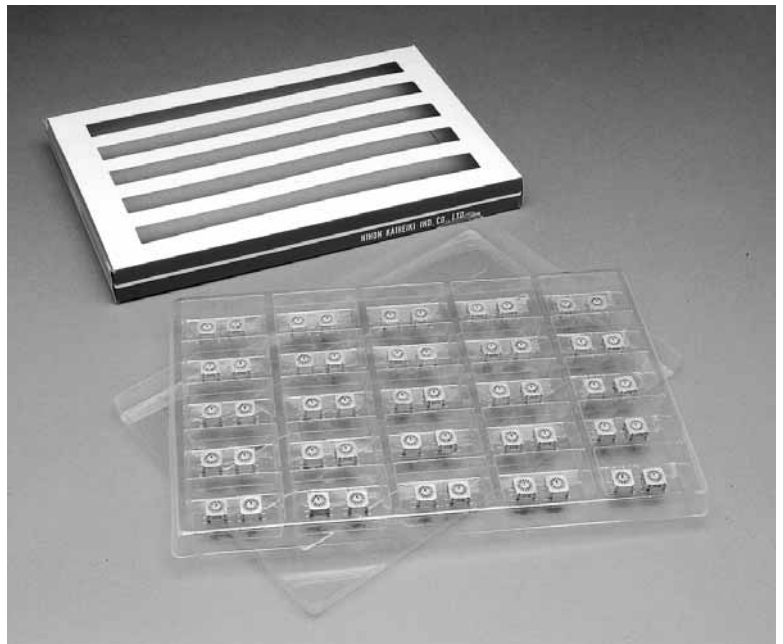
PACKAGING**R** **Tape-Reel Packaging
for Upright & Right Angle**

Switches must be ordered in 500-piece increments when tape-reel packaging is selected.

This packaging meets EIA-481-2 Standard for "16mm and 24mm Embossed Carrier Taping of Surface Mount Components for Automatic Handling."

**No
Code** **Partitioned Tray
for Upright & Right Angle
Any Quantity**

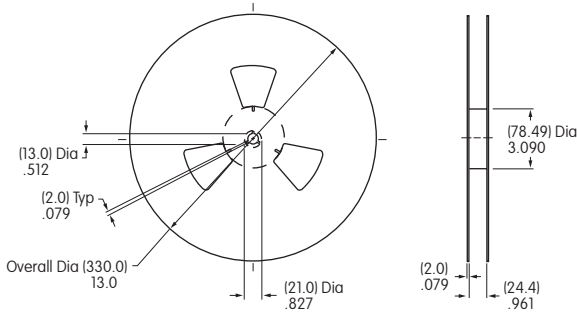
If the ND3 is ordered in less than 500-piece increments, the switches are packaged in a partitioned tray. No code is required.



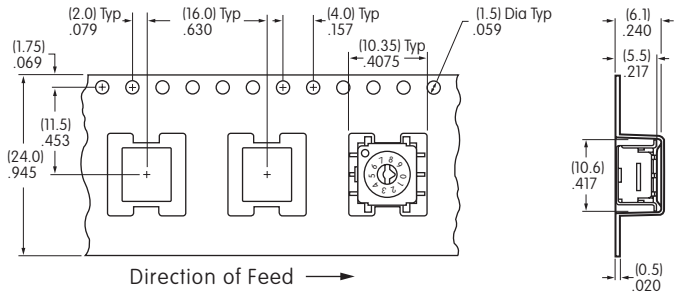
PACKAGING (CONTINUED)

For Upright & Upright with Bracket (codes P & B with F Actuator)

Each tape-reel of 550 pockets contains 500 switches
 Minimum Leader Length: 230mm (9.05") Minimum Trailer Length: 160mm (6.30")



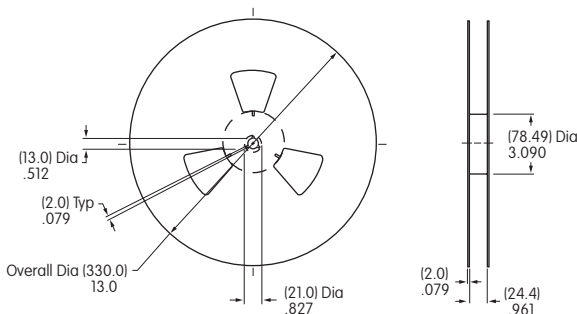
Reel Dimensions



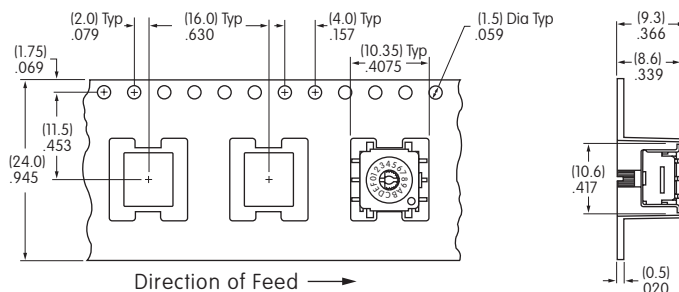
Tape Dimensions

For Upright & Upright with Bracket (codes P & B with K Actuator)

Each tape-reel of 530 pockets contains 500 switches
 Minimum Leader Length: 230mm (9.05") Minimum Trailer Length: 160mm (6.30")



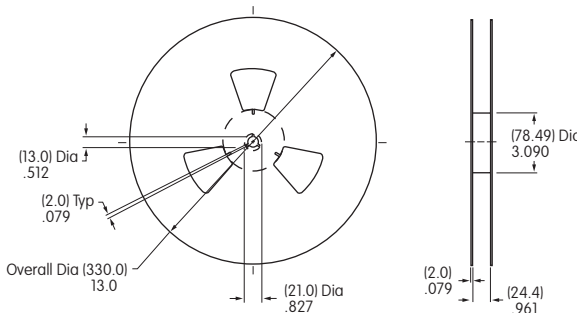
Reel Dimensions



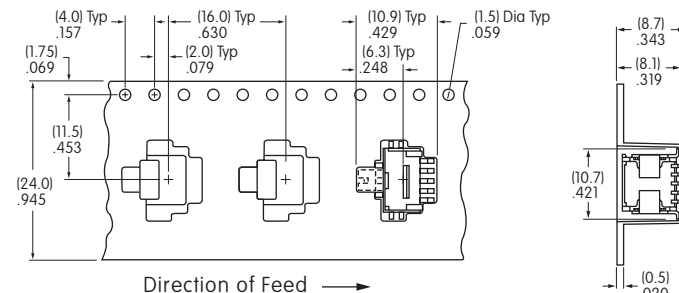
Tape Dimensions

For Right Angle (code H with F or K Actuator)

Each tape-reel of 550 pockets contains 500 switches
 Minimum Leader Length: 230mm (9.05") Minimum Trailer Length: 160mm (6.30")



Reel Dimensions



Tape Dimensions