

### General Description

The AAT4296/98 SmartSwitch is a member of AnalogicTech's Application Specific Power MOS-FET™ (ASPM™) product family. The AAT4296/98 is comprised of five/six push/pull output switches that gate each respective output between a common input supply and ground. This device is targeted for I/O expansion applications, but can also be used for a combination of general purposes to simplify power switching with an off state load discharge.

The AAT4296/98 operates over an input voltage range of 1.8V to 5.5V, making it ideal for battery-powered applications. The state of each output channel is controlled with a single GPIO via the EN/SET pin using AnalogicTech's Simple Serial Control™ (S<sup>2</sup>Cwire™) interface. When EN/SET is pulled to logic high, the device is enabled and consumes 3μA of typical quiescent current. In the off state, each output is pulled low to ground to affect a logic low state for I/O expander or power switching applications; this circuit will act as a load discharge function to rapidly turn off a load circuit.

Rated over the -40°C to +85°C temperature range, the AAT4296 is offered in a Pb-free 8-pin SC70JW package, and the AAT4298 is offered in both a Pb-free 10-pin SC70JW and a Pb-free 12-pin TSOPJW package.

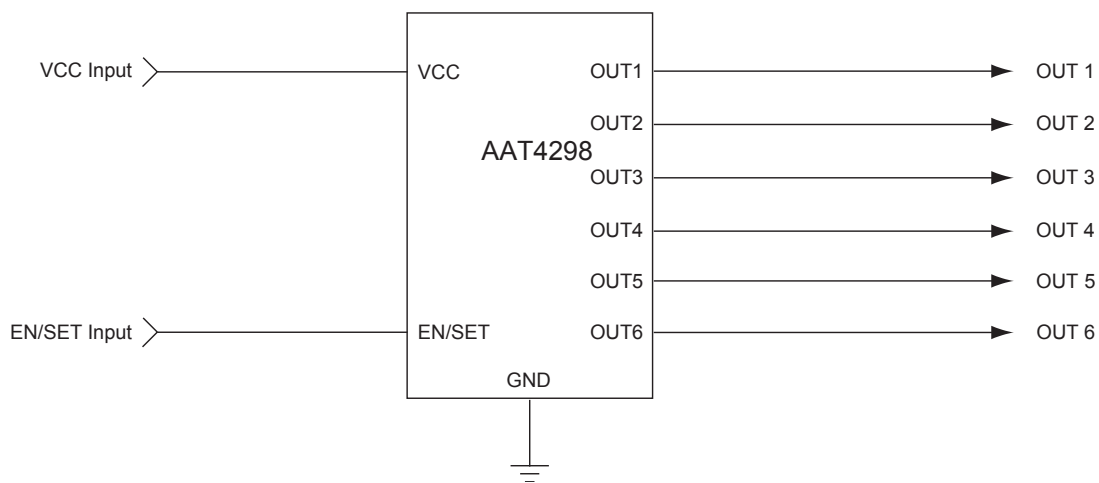
### Features

- V<sub>IN</sub> Range: 1.8V to 5.5V
- Independent Push/Pull Channels
  - AAT4296: Five Channels
  - AAT4298: Six Channels
- User-Programmable Interface
- Single GPIO Controls State of Each Output
- Optional Fast Auto-Discharge
- Low Quiescent Current: 3μA Typical
- Temperature Range: -40°C to +85°C
- Available in Pb-Free Packages:
  - AAT4296: 8-Pin SC70JW
  - AAT4298: 10-Pin SC70JW and 12-Pin TSOPJW

### Applications

- Cell Phones
- Multiple Low Power Switching
- Personal Communication Devices
- Portable Electronic Devices

### Typical Application

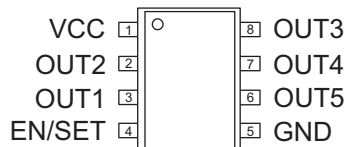


### Pin Descriptions

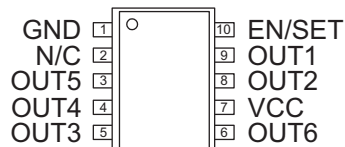
Pin #			Symbol	Function
AAT4296	AAT4298 SC70JW-10	AAT4298 TSOPJW-12		
1	7	8	VCC	Input supply voltage.
2	8	9	OUT2	Channel 2 output pin.
3	9	10	OUT1	Channel 1 output pin.
4	10	11	EN/SET	Input control pin using S <sup>2</sup> Cwire serial interface. The device records rising edges of the clock and decodes them into 32 (AAT4296) or 64 (AAT4298) states controlling the ON/OFF states of the outputs. See Table 1 for output settings. In addition, a logic low forces the device into shutdown mode, reducing the supply current to less than 1µA. This pin should not be left floating.
5	1	2	GND	Ground.
6	3	3	OUT5	Channel 5 output pin.
7	4	4	OUT4	Channel 4 output pin.
8	5	5	OUT3	Channel 3 output pin.
N/A	6	7	OUT6	Channel 6 output pin.
N/A	2	1, 6, 12	N/C	Not connected.

### Pin Configuration

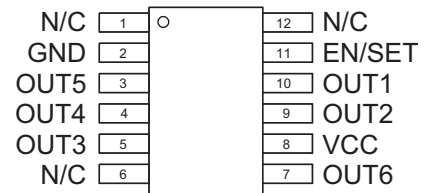
**AAT4296  
SC70JW-8  
(Top View)**



**AAT4298  
SC70JW-10  
(Top View)**



**AAT4298  
TSOPJW-12  
(Top View)**



### Absolute Maximum Ratings<sup>1</sup>

Symbol	Description	Value	Units
$V_{CC}$ to GND	Input to GND	-0.3 to 6.0	V
OUTx to GND	Output (Source) to GND	-0.3 to $V_{IN} + 0.3$	V
EN/SET	EN/SET to GND	-0.3 to 6.0	V
$T_J$	Operating Junction Temperature Range	-40 to +150	°C

### Thermal Information

Symbol	Description	Value	Units
$\theta_{JA}$	Thermal Resistance <sup>2</sup>	SC70JW-8, SC70JW-10	225
		TSOPJW-12	160
$P_D$	Maximum Power Dissipation <sup>3</sup>	SC70JW-8, SC70JW-10	440
		TSOPJW-12	625

1. Stresses above those listed in Absolute Maximum Ratings may cause permanent damage to the device. Functional operation at conditions other than the operating conditions specified is not implied. Only one Absolute Maximum Rating should be applied at any one time.  
 2. Mounted on an FR4 board.  
 3. Derate 4.4mW/°C above 25°C.

### Electrical Characteristics<sup>1</sup>

$V_{CC} = 5.0V$ ;  $T_A = -40^{\circ}C$  to  $+85^{\circ}C$ , unless otherwise noted. Typical values are  $T_A = 25^{\circ}C$ .

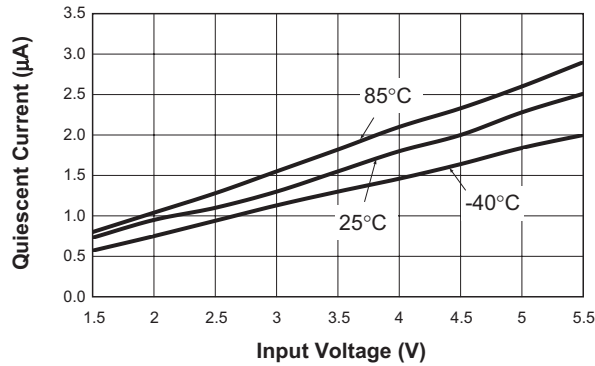
Symbol	Description	Conditions	Min	Typ	Max	Units
$V_{CC}$	Supply Voltage Range		1.8		5.5	V
$I_Q$	Quiescent Current	$EN/SET = V_{CC} = 5V, I_{OUT} = 0,$ All Switches ON		3.0	10	$\mu A$
		$EN/SET = GND, V_{CC} = 5V,$ $OUTx = Open$			1.0	
$R_{DS(ON)}$	On Resistance P-Channel	$V_{CC} = 5V$		2.5	6.0	$\Omega$
		$V_{CC} = 3.6V$		3.0	7.0	
	On Resistance N-Channel	$V_{CC} = 5V$		1.9	6.0	
		$V_{CC} = 3.6V$		2.0	7.0	
$T_{CRDS}$	On Resistance Temperature Coefficient			2800		ppm/ $^{\circ}C$
$T_{ON}$	Output Turn-On Time <sup>2</sup>	$V_{CC} = 5V, C_{OUT} = 100nF; T_A = 25^{\circ}C$		1.6	2.7	$\mu s$
$T_{OFF}$	Output Turn-Off Time <sup>3</sup>	$V_{CC} = 5V, C_{OUT} = 100nF; T_A = 25^{\circ}C$		0.8	2.1	$\mu s$
<b>EN/SET</b>						
$V_{EN(L)}$	Enable Threshold Low	$V_{IN} = 1.8V$			0.4	V
$V_{EN(H)}$	Enable Threshold High	$V_{IN} = 5.5V$	1.4			V
$T_{EN/SET LO}$	EN/SET Low Time		0.5		75	$\mu s$
$T_{EN/SET_HL\_MIN}$	Minimum EN/SET High Time			50		ns
$T_{EN/SET_HL\_MAX}$	Maximum EN/SET High Time				75	$\mu s$
$T_{OFF}$	EN/SET Off Timeout				500	$\mu s$
$T_{LAT}$	EN/SET Latch Timeout				500	$\mu s$
$I_{EN/SET}$	EN/SET Input Leakage		-1		1	$\mu A$

- The AAT4296/98 is guaranteed to meet performance specifications over the  $-40^{\circ}C$  to  $+85^{\circ}C$  operating temperature range and is assured by design, characterization, and correlation with statistical process controls.
- $T_{ON}$  is the time after latch timeout to 90% of the output voltage. See Figure 1.
- $T_{OFF}$  is the time after off timeout to 10% of the output voltage. See Figure 1.

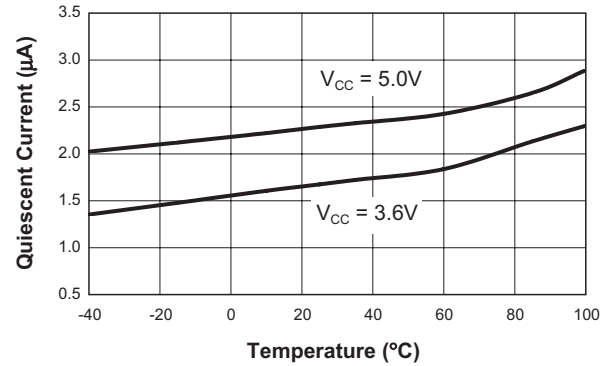
## Typical Characteristics

Unless otherwise noted,  $V_{IN} = 5V$ ,  $C_{IN} = 1\mu F$ ,  $C_{OUTx} = 0.1\mu F$ ,  $T_A = 25^\circ C$ .

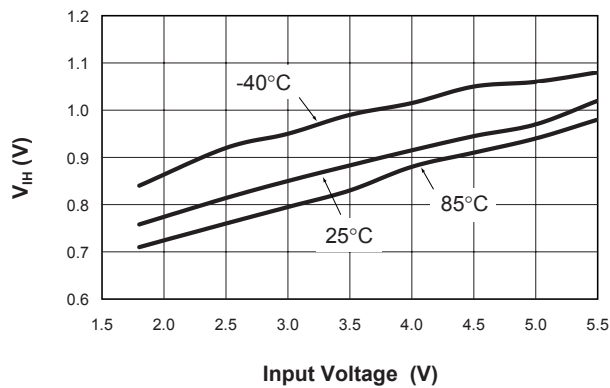
**Quiescent Current vs. Input Voltage**



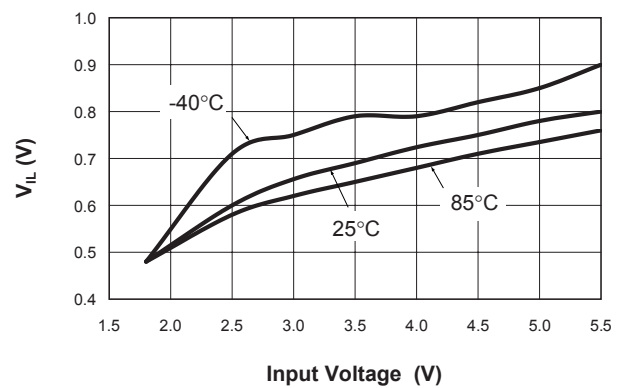
**Quiescent Current vs. Temperature**



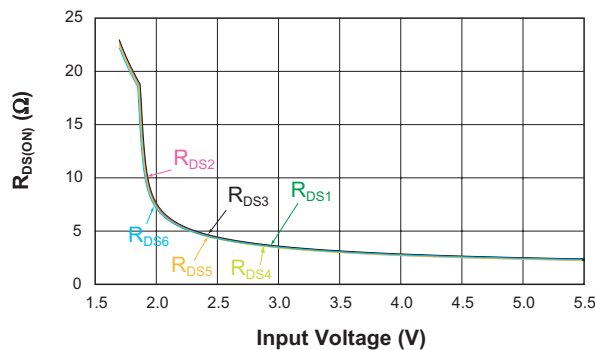
**$V_{IH}$  vs. Input Voltage**



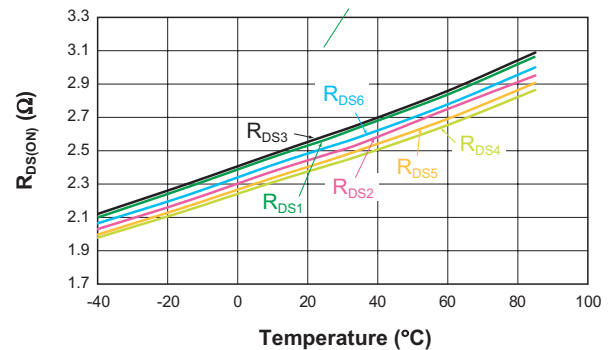
**$V_{IL}$  vs. Input Voltage**



**P-Channel  $R_{DS(ON)}$  vs. Input Voltage**  
( $I_{LOAD} = 100mA$ )



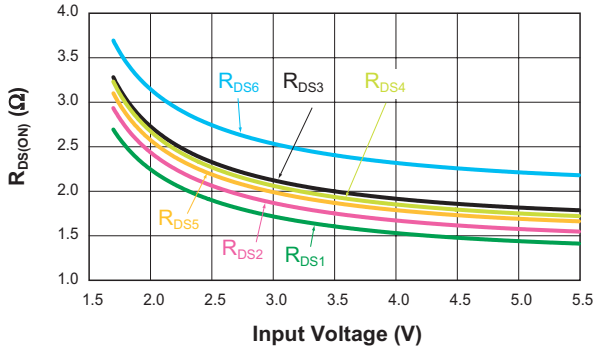
**P-Channel  $R_{DS(ON)}$  vs. Temperature**  
( $I_{LOAD} = 100mA$ )



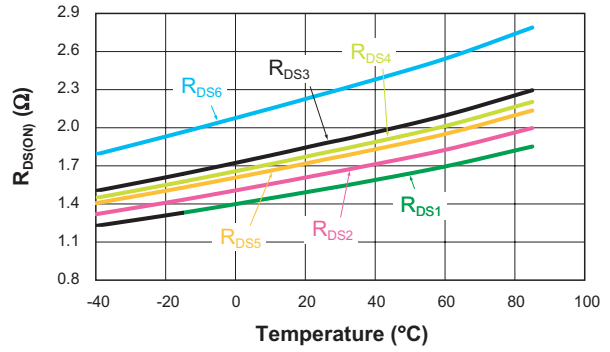
### Typical Characteristics

Unless otherwise noted,  $V_{IN} = 5V$ ,  $C_{IN} = 1\mu F$ ,  $C_{OUTx} = 0.1\mu F$ ,  $T_A = 25^\circ C$ .

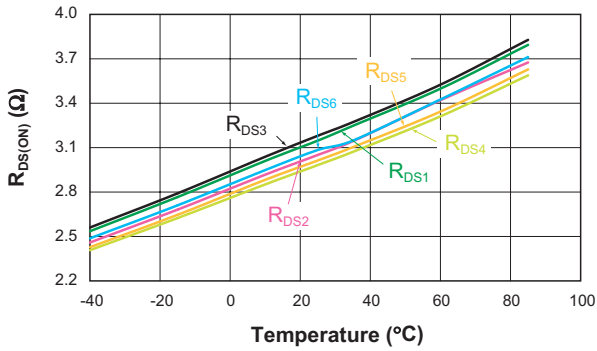
**N-Channel  $R_{DS(ON)}$  vs. Input Voltage**  
( $I_{LOAD} = 100mA$ )



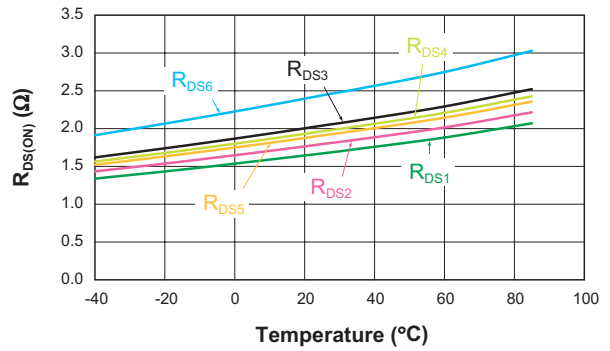
**N-Channel  $R_{DS(ON)}$  vs. Temperature**  
( $I_{LOAD} = 100mA$ )



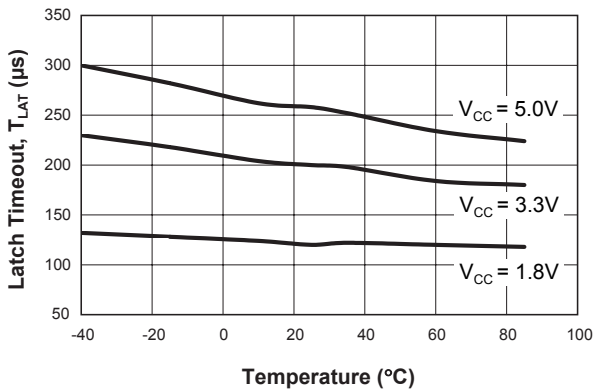
**P-Channel  $R_{DS(ON)}$  vs. Temperature**  
( $V_{CC} = 3.6V$ ;  $I_{LOAD} = 100mA$ )



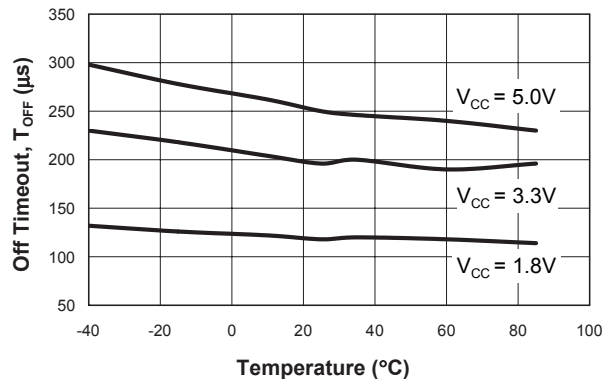
**N-Channel  $R_{DS(ON)}$  vs. Temperature**  
( $V_{CC} = 3.6V$ ;  $I_{LOAD} = 100mA$ )



**EN/SET Latch Timeout vs. Temperature**



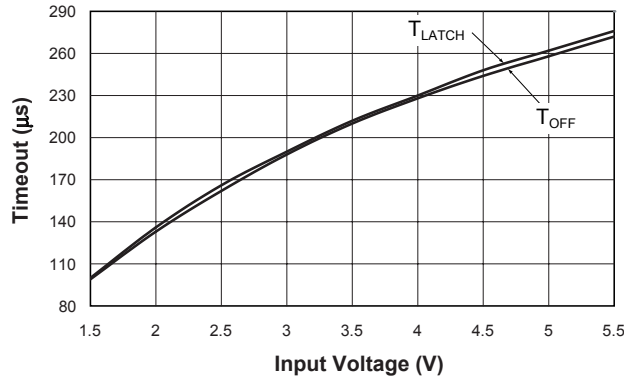
**EN/SET Off Timeout vs. Temperature**



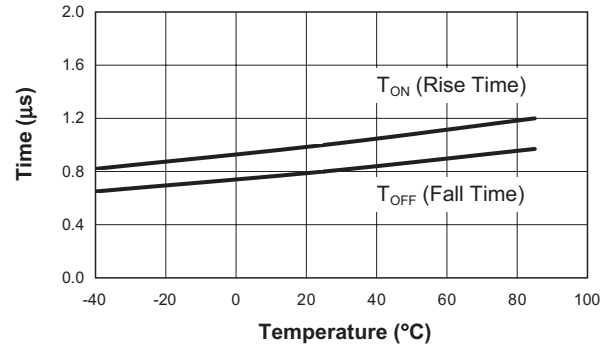
### Typical Characteristics

Unless otherwise noted,  $V_{IN} = 5V$ ,  $C_{IN} = 1\mu F$ ,  $C_{OUTx} = 0.1\mu F$ ,  $T_A = 25^\circ C$ .

**EN/SET Timeout vs. Input Voltage**

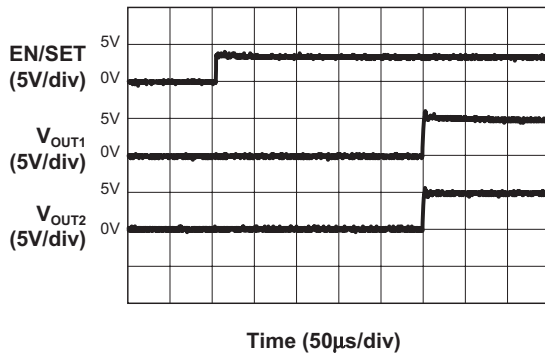


**Turn-On and Turn-Off Time vs. Temperature**



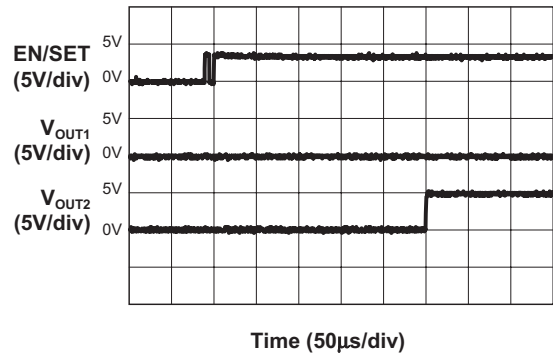
**Turn-On Characteristic**

( $R_{LOAD1} = R_{LOAD2} = 100\Omega$ ;  $C_{OUT1} = C_{OUT2} = 0.1\mu F$ )



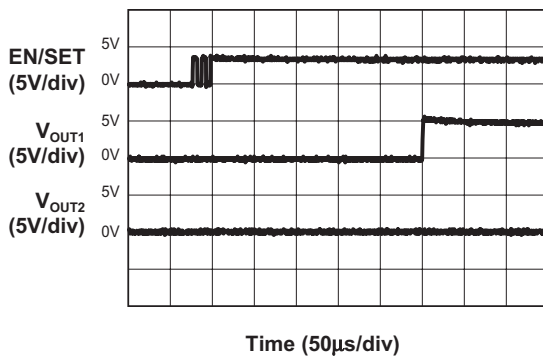
**Turn-On Characteristic**

( $R_{LOAD1} = R_{LOAD2} = 100\Omega$ ;  $C_{OUT1} = C_{OUT2} = 0.1\mu F$ )



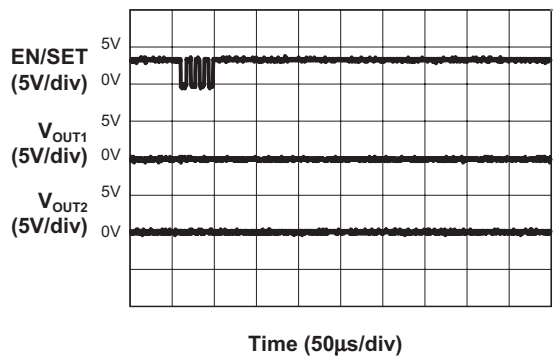
**Turn-On Characteristic**

( $R_{LOAD1} = R_{LOAD2} = 100\Omega$ ;  $C_{OUT1} = C_{OUT2} = 0.1\mu F$ )



**Turn-On Characteristic**

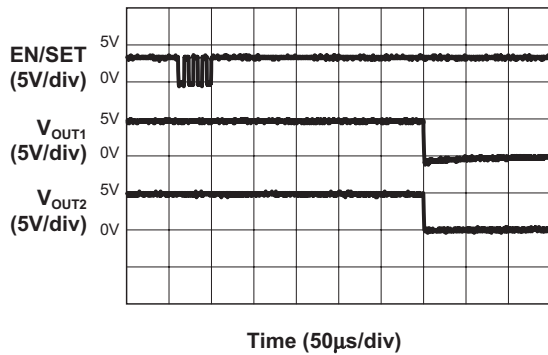
( $R_{LOAD1} = R_{LOAD2} = 100\Omega$ ;  $C_{OUT1} = C_{OUT2} = 0.1\mu F$ )



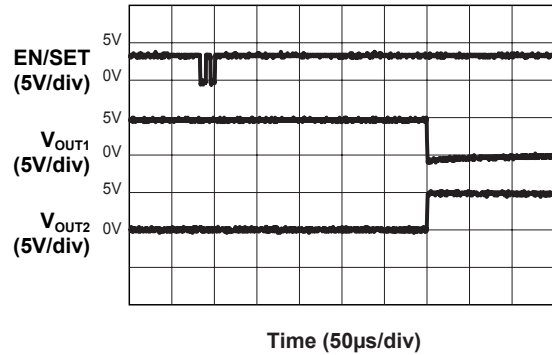
### Typical Characteristics

Unless otherwise noted,  $V_{IN} = 5V$ ,  $C_{IN} = 1\mu F$ ,  $C_{OUTx} = 0.1\mu F$ ,  $T_A = 25^\circ C$ .

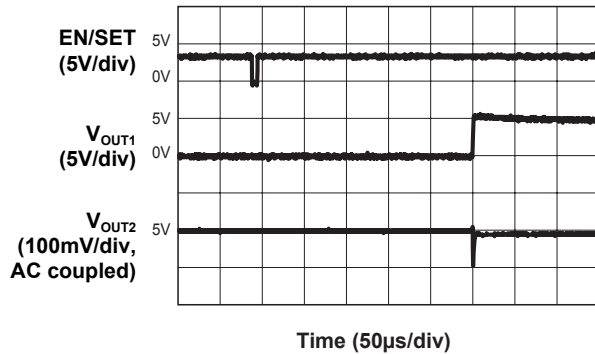
**Turn-Off Characteristic**  
( $R_{LOAD1} = R_{LOAD2} = 100\Omega$ ;  $C_{OUT1} = C_{OUT2} = 0.1\mu F$ )



**Transition of Outputs**  
( $R_{LOAD1} = R_{LOAD2} = 100\Omega$ ;  $C_{OUT1} = C_{OUT2} = 0.1\mu F$ )

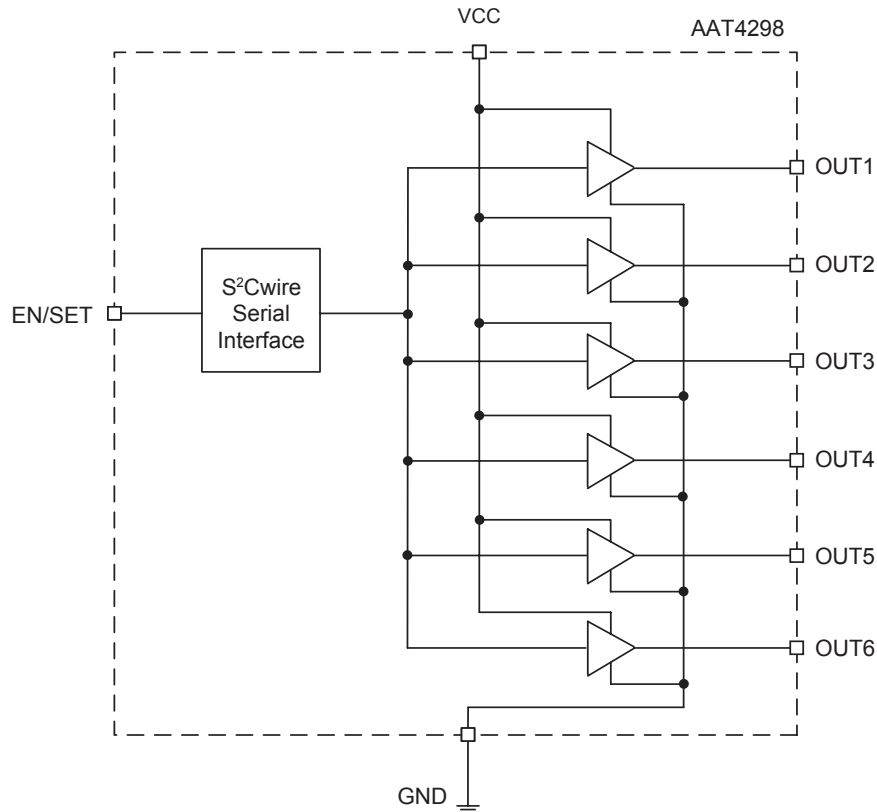


**Turn-On Transient Characteristic**  
( $R_{LOAD1} = R_{LOAD2} = 100\Omega$ ;  $C_{OUT1} = C_{OUT2} = 0.1\mu F$ )





### Functional Block Diagram



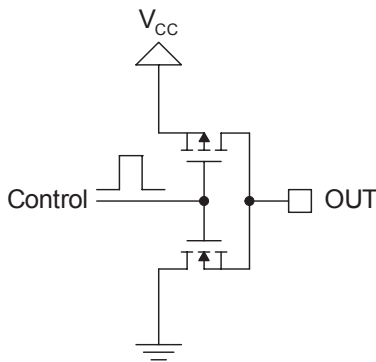
### Functional Description

The AAT4296/98 is comprised of five/six push/pull output slew rate limited load switches primarily targeted for microcontroller general purpose input/output (I/O) expansion applications. Each push/pull output is supplied by the common  $V_{CC}$  input and is controlled via the digital EN/SET input pin. When a given output is enabled, the voltage source applied to the  $V_{CC}$  pin is then switched to the respective output. The high-side P-channel MOSFET transistor has a typical on resistance ( $R_{DS(ON)}$ ) of  $3\Omega$  when operating from a 3.6V supply.

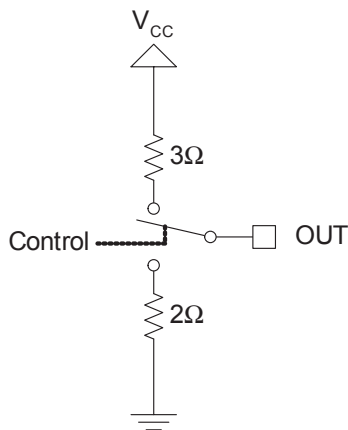
When a respective output is disabled or turned off, the given output pin is then connected to ground through a low side N-channel MOSFET with a typical on resistance ( $R_{DS(ON)}$ ) of  $2\Omega$ . This circuit architecture affects a simple logic control with the high level based on the applied  $V_{CC}$ . For the AAT4296, this creates a 1-to-5 I/O expander, and for the AAT4298 this creates a 1-to-6 I/O expander. Both the AAT4296 and AAT4298 have been designed to operate with an input voltage range of 1.8V to 5.5V, making them ideal for battery-powered applications.

These devices may also be used for load switching applications, as well as I/O expansion. Since the  $V_{CC}$  is gated to each output through a slew rate limited low on-resistance switch, they are ideal for controlling applications circuits with light load current requirements. Such applications could include simple LED function indicator lamps, RGB LED fashion lighting, audio and RF circuits, or any other system with a power requirement that does not exceed the thermal dissipation limits of the load switch and device package.

Each device push/pull output may be represented by the following circuit and simplified equivalent model (Figures 1 and 2):



**Figure 1: Push/Pull Output Circuit.**



**Figure 2: Simplified Equivalent Model.**

The state of each output is controlled via the EN/SET pin using AnalogicTech's S<sup>2</sup>Cwire interface. To enable a respective switch, a series of clocked pulses should be applied to the EN/SET pin. The number of pulses clocked will determine the switch configuration based on the truth table shown in Table 1. At the end of the serial pulse data set, the EN/SET set pin should be held high to then latch the clocked data and enable the desired switch configuration. When the device is enabled with the EN/SET held to a logic high state, the device quiescent current consumption will typically increase to 3μA and normal ambient room temperatures. If output sequencing of the switches is not necessary, all of the outputs will be switched on simultaneously on the first rising edge of the EN/SET pin by simply pulling the EN/SET to a logic high level. The default switch position for one clock pulse is all switches "on." However, if output sequencing is desired, a series of pulses on the EN/SET pin will set the outputs to the desired state (refer to Table 1 for output settings).

The AAT4296/98 offers two different options when the switches are in the off state. For applications with an active pull down or auto-discharge requirement, the internal N-channel switch will connect the output node to ground with a series resistance of 2Ω.

### S<sup>2</sup>Cwire Serial Interface

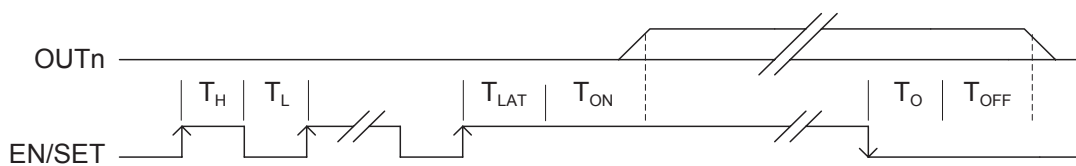
The ON/OFF state of the output is controlled by the EN/SET serial data input. An internal control counter is clocked on the rising edge of the EN/SET pin and is decoded into the 32/64 possible states (see Table 1).

Clock	AAT4298						Clock	AAT4298					
	OUT6	OUT5	OUT4	OUT3	OUT2	OUT1		OUT6	OUT5	OUT4	OUT3	OUT2	OUT1
1	on	on	on	on	on	on	33	off	on	on	on	on	on
2	on	on	on	on	on	off	34	off	on	on	on	on	off
3	on	on	on	on	off	on	35	off	on	on	on	off	on
4	on	on	on	on	off	off	36	off	on	on	on	off	off
5	on	on	on	off	on	on	37	off	on	on	off	on	on
6	on	on	on	off	on	off	38	off	on	on	off	on	off
7	on	on	on	off	off	on	39	off	on	on	off	off	on
8	on	on	on	off	off	off	40	off	on	on	off	off	off
9	on	on	off	on	on	on	41	off	on	off	on	on	on
10	on	on	off	on	on	off	42	off	on	off	on	on	off
11	on	on	off	on	off	on	43	off	on	off	on	off	on
12	on	on	off	on	off	off	44	off	on	off	on	off	off
13	on	on	off	off	on	on	45	off	on	off	off	on	on
14	on	on	off	off	on	off	46	off	on	off	off	on	off
15	on	on	off	off	off	on	47	off	on	off	off	off	on
16	on	on	off	off	off	off	48	off	on	off	off	off	off
17	on	off	on	on	on	on	49	off	off	on	on	on	on
18	on	off	on	on	on	off	50	off	off	on	on	on	off
19	on	off	on	on	off	on	51	off	off	on	on	off	on
20	on	off	on	on	off	off	52	off	off	on	on	off	off
21	on	off	on	off	on	on	53	off	off	on	off	on	on
22	on	off	on	off	on	off	54	off	off	on	off	on	off
23	on	off	on	off	off	on	55	off	off	on	off	off	on
24	on	off	on	off	off	off	56	off	off	on	off	off	off
25	on	off	off	on	on	on	57	off	off	off	on	on	on
26	on	off	off	on	on	off	58	off	off	off	on	on	off
27	on	off	off	on	off	on	59	off	off	off	on	off	on
28	on	off	off	on	off	off	60	off	off	off	on	off	off
29	on	off	off	off	on	on	61	off	off	off	off	on	on
30	on	off	off	off	on	off	62	off	off	off	off	on	off
31	on	off	off	off	off	on	63	off	off	off	off	off	on
32	on	off	off	off	off	off	64	off	off	off	off	off	off

**Table 1: Output Settings.**

The S<sup>2</sup>Cwire interface relies on the number of rising edges of the EN/SET pin to address and load the registers. S<sup>2</sup>Cwire latches data or address after the EN/SET pin has been held high for time  $T_{LAT}$ . The interface records rising edges of the EN/SET pin and decodes them into 32 (for AAT4296) or 64 (for AAT4298) different states, as indicated in Table 1. There are 32 (for AAT4296)/64 (for AAT4298) different sequences for controlling individual turn-on/turn-off of each switch. The

counter can be clocked at speeds up to 1MHz, such that intermediate states are not visible. Alternatively, the EN/SET clock pulses may be entered one at a time for desired setting. The first rising edge of EN/SET enables the IC and turns all the switches ON. Once the final clock cycle is received, the EN/SET pin is held high to maintain the device setting. The device is disabled 500 $\mu$ s ( $T_{OFF}$ ) after the EN/SET pin transitions to a logic low state.



**Figure 3: Timing Diagram.**

## Applications Information

The AAT4296 and AAT4298 have been designed so that no external parts are required for the device to function as a general purpose I/O expander. Such external parts could include bypass capacitors, or pull-up or pull-down resistors.

For applications which may use some or all of the output to switch light load current levels to application circuits, good engineering practice would dictate the use of small bypass capacitors placed on the  $V_{CC}$  input and each output which is being used to conduct current to a load. The use of small ceramic capacitors between the input and output nodes to ground will aid in reducing line and load transient response effects. Refer to the application schematic of Figure 4 for an example for placing bypass capacitors.

### Input Capacitor

Typically a 0.1 $\mu$ F to 1 $\mu$ F capacitor is recommended for  $C_{IN}$  in most applications. A  $C_{IN}$  capacitor is not required for basic operation; however,  $C_{IN}$  is useful in preventing load transient effects from affecting upstream circuits when internal switches are enabled to their respective output load circuits.

$C_{IN}$  should be located as close to the device  $V_{IN}$  pin as practically possible.

There is no specific capacitor equivalent series resistance (ESR) requirement for  $C_{IN}$ ; however, for higher current operation, ceramic capacitors are recommended for  $C_{IN}$  due to their inherent capability to withstand input current surges from low impedance sources, such as batteries in portable devices.

### Output Capacitor

For typical applications where the AAT4296/98 is used for I/O expansion, no output capacitors are required. Many other common applications such as controlling LED indicator lamps in portable products do not require an output capacitor because the end load is not sensitive to device turn-on transient effects.

For improved load transient response in systems using the AAT4296/98 for load switching, the addition of a small output capacitor placed between the output pins and ground can have a beneficial effect. A 0.1 $\mu$ F ceramic capacitor is suggested as a reasonable value for an output capacitor. Please refer to Figure 4.

The output capacitor has no specific capacitor type or ESR requirement. If desired,  $C_{OUT}$  may be increased to a value greater than  $0.1\mu\text{F}$  without limit to accommodate any load transient condition without adversely affecting the device turn-on slew rate time.

### Thermal Considerations

The AAT4296 and AAT4298 are designed to deliver continuous output load currents. The limiting characteristic for maximum safe operating output load current is package power dissipation. In order to obtain high operating currents, careful device layout and circuit operating conditions need to be taken into account.

At any given ambient temperature ( $T_A$ ), the maximum package power dissipation can be determined by the following equation:

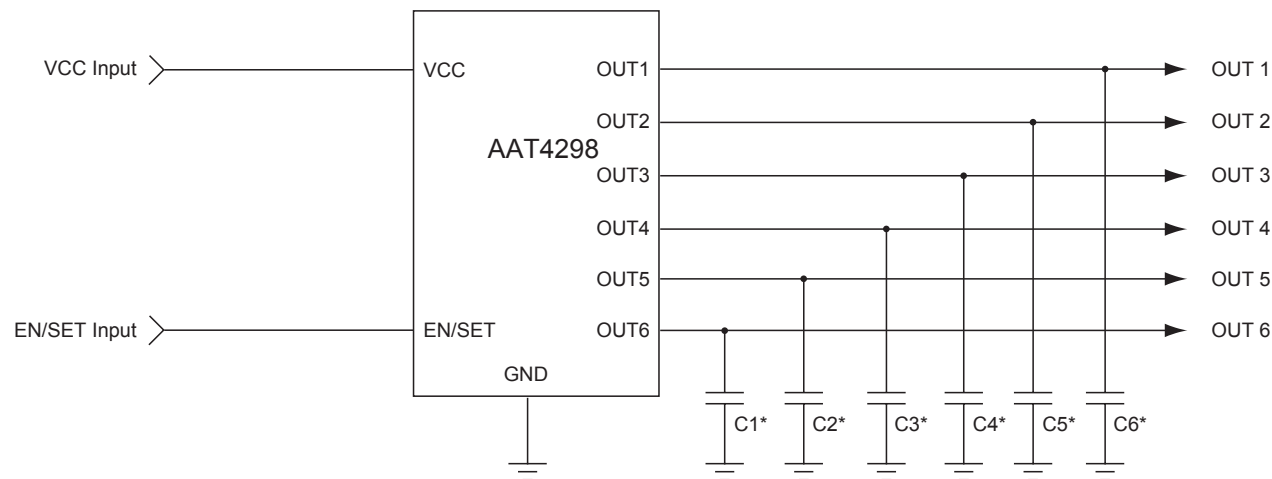
$$P_{D(MAX)} = \frac{T_{J(MAX)} - T_A}{\theta_{JA}}$$

Constants for the AAT4296 and AAT4298 are maximum junction temperature,  $T_{J(MAX)} = 125^\circ\text{C}$ , and package thermal resistance,  $\theta_{JA} = 120^\circ\text{C/W}$ . Worst-case conditions are calculated at the maximum operating temperature, where  $T_A = 85^\circ\text{C}$ . Typical conditions are calculated under normal ambient conditions, where  $T_A = 25^\circ\text{C}$ .

At  $25^\circ\text{C}$  ambient, the AAT4296 is capable of dissipating 440mW of power. If all five channels have 5.0V output, the average current is 121mA per channel. The AAT4298 is capable of dissipating 625mW of power. If all six channels have 5.0V output, the average current is 131.5mA per channel.

At  $85^\circ\text{C}$  ambient, the AAT4296 is capable of dissipating 177.78mW of power. If all five channels have 5.0V output, the average current is 76.5mA per channel. The AAT4298 is capable of dissipating 250mW of power. If all six channels have 5.0V output, the average current is 83mA per channel.

### Applications Circuit



**Figure 4: Typical Application Diagram.**

\*Use of capacitors on each output is optional.

### Driving LED Loads

The AAT4296 and AAT4298 can be used to drive LEDs or other applications with light load current requirements. LED applications may include main and sub-LCD display backlighting, camera photo-flash applications, color (RGB) LEDs, and infrared (IR) diodes for remotes. In series with LEDs, ballast resistors must be used to limit the LED current. The LED current will vary with supply voltage and LED forward voltage. Most types of LEDs have forward voltage specifications ranging from 2.0V to 5.0V. Calculate the necessary ballast resistor value from the following formula:

$$R_{LED} = \frac{(V_{IN} - V_F)}{I_{LED}} - R_{DS(ON)}$$

Where:

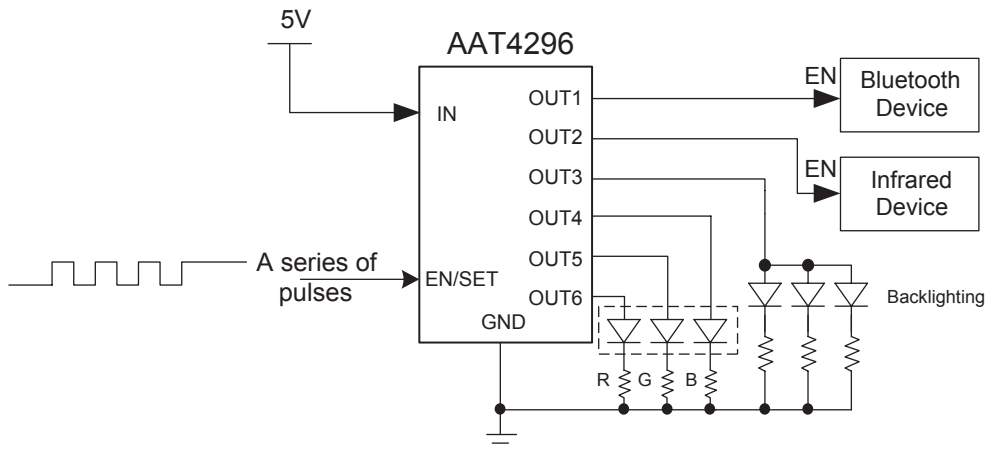
$R_{LED}$  is the resistance of resistor to be placed in series with the LED ( $\Omega$ ).

$V_{IN}$  is the input supply voltage to the device (V).

$V_F$  is the forward voltage of the LED (V).

$R_{DS(ON)}$  is the resistance of the switch when it is turned on ( $\Omega$ ).

$I_{LED}$  is the desired operating current of the LED (A).



**Figure 5: Infrared, Bluetooth, RGB, and Backlighting Control.**

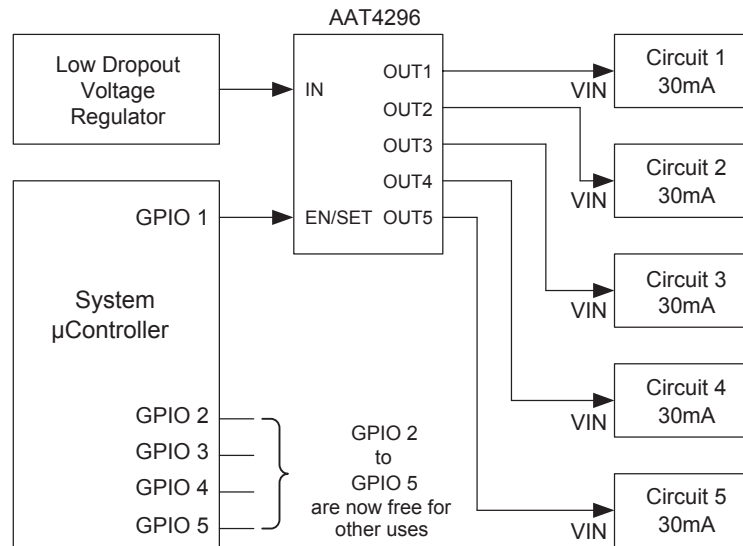


Figure 6: GPIO I/O Expander (Condense Five GPIO Control Lines to One Using AAT4296).

### Ordering Information

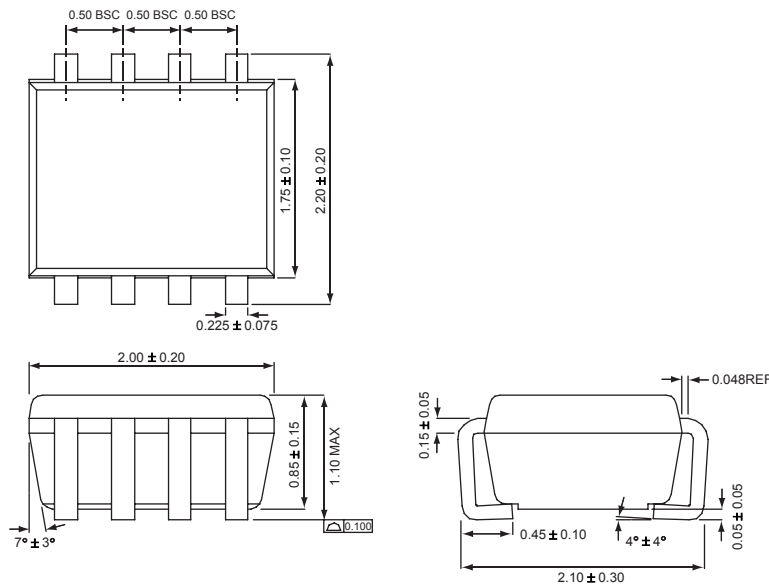
Package	Marking <sup>1</sup>	Part Number (Tape and Reel) <sup>2</sup>
SC70JW-8	QIXYY	<b>AAT4296IJS-T1</b>
SC70JW-10		AAT4298IJQ-T1
TSOPJW-12	QEXYY	<b>AAT4298ITP-T1</b>



All AnalogicTech products are offered in Pb-free packaging. The term “Pb-free” means semiconductor products that are in compliance with current RoHS standards, including the requirement that lead not exceed 0.1% by weight in homogeneous materials. For more information, please visit our website at <http://www.analogictech.com/pbfree>.

### Package Information

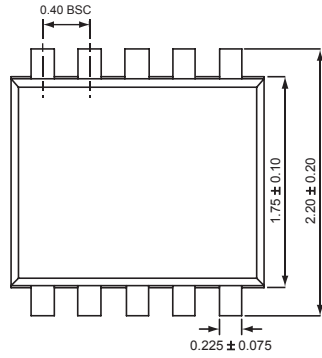
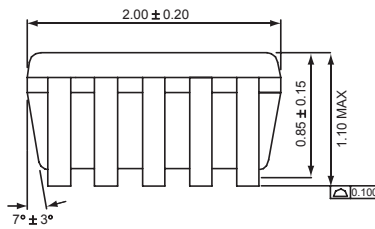
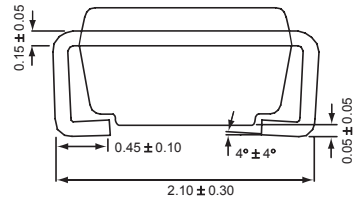
#### SC70JW-8



All dimensions in millimeters.

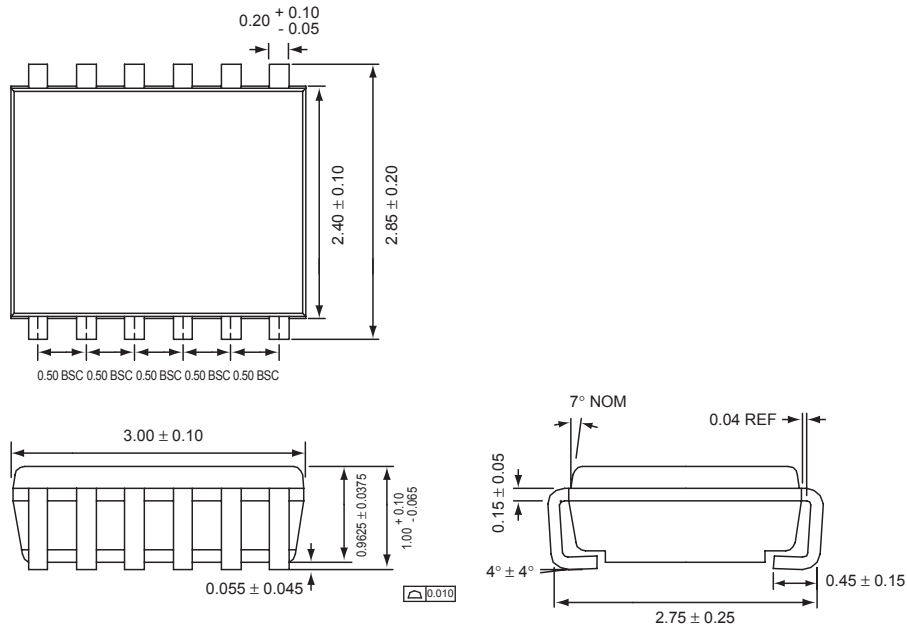
1. XYY = assembly and date code.  
 2. Sample stock is generally held on part numbers listed in **BOLD**.



**SC70JW-10**

**Top View**

**Side View**

**End View**

All dimensions in millimeters.

### TSOPJW-12



All dimensions in millimeters.

AnalogicTech cannot assume responsibility for use of any circuitry other than circuitry entirely embodied in an AnalogicTech product. No circuit patent licenses, copyrights, mask work rights, or other intellectual property rights are implied.

AnalogicTech reserves the right to make changes to their products or specifications or to discontinue any product or service without notice, and advise customers to obtain the latest version of relevant information to verify, before placing orders, that information being relied on is current and complete. All products are sold subject to the terms and conditions of sale supplied at the time of order acknowledgement, including those pertaining to warranty, patent infringement, and limitation of liability.

AnalogicTech warrants performance of its semiconductor products to the specifications applicable at the time of sale in accordance with AnalogicTech's standard warranty. Testing and other quality control techniques are utilized to the extent AnalogicTech deems necessary to support this warranty. Specific testing of all parameters of each device is not necessarily performed.

**Advanced Analogic Technologies, Inc.**  
 830 E. Arques Avenue, Sunnyvale, CA 94085  
 Phone (408) 737-4600  
 Fax (408) 737-4611