

FEATURES

- Very Wide Operating Voltage ($V_{CC} = 1.8$ to 5.5 V)
- Very Low Supply Current
- Very Low Standby Current
- Miniature Package (SOT23L-8)
- Adjustable Voltage Gain ($V_{G1} = 0$ to 40 dB)
- Active High On/Off Control

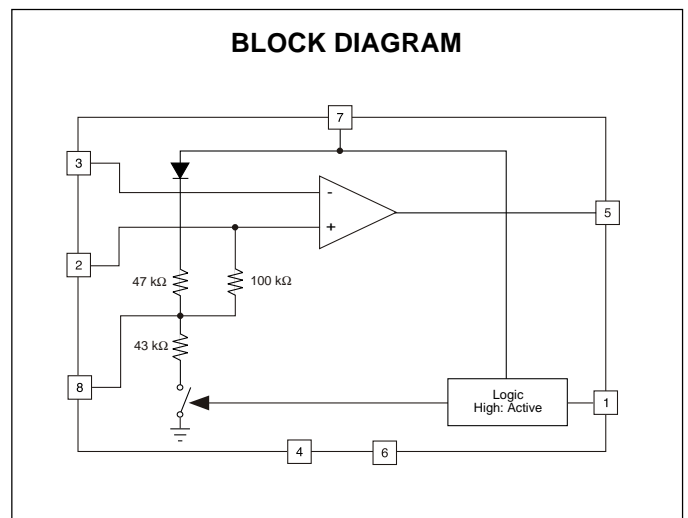
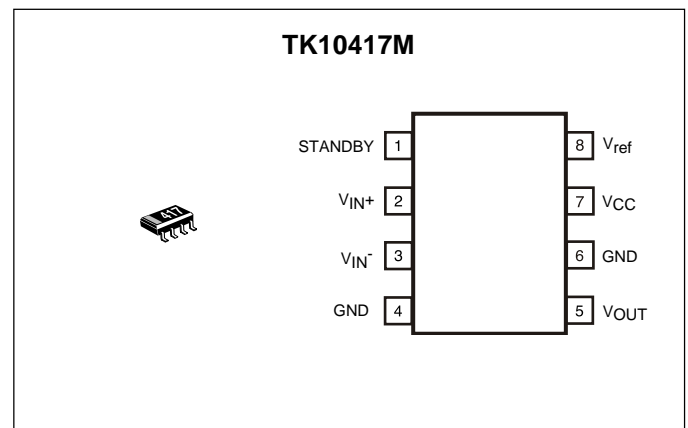
APPLICATIONS

- Speaker Driver for Portable Equipment
- Headphone Driver
- Toys

DESCRIPTION

The TK10417M is a very low operating voltage and current audio power amplifier. The device is in the "on" state when the standby pin is pulled to a logic high level.

The TK10417M is available in the very small SOT23L-8 surface mount package.



ORDERING INFORMATION

TK10417M Tape/Reel Code

TAPE/REEL CODE
TL: Tape Left

TK10417

ABSOLUTE MAXIMUM RATINGS

Supply Voltage 8 V Storage Temperature Range -55 to +150 °C
Operating Voltage 1.8 to 5.5 V Operating Temperature Range -20 to +70 °C
Power Dissipation (Notes 1 and 2)..... 400 mW

TK10417 ELECTRICAL CHARACTERISTICS

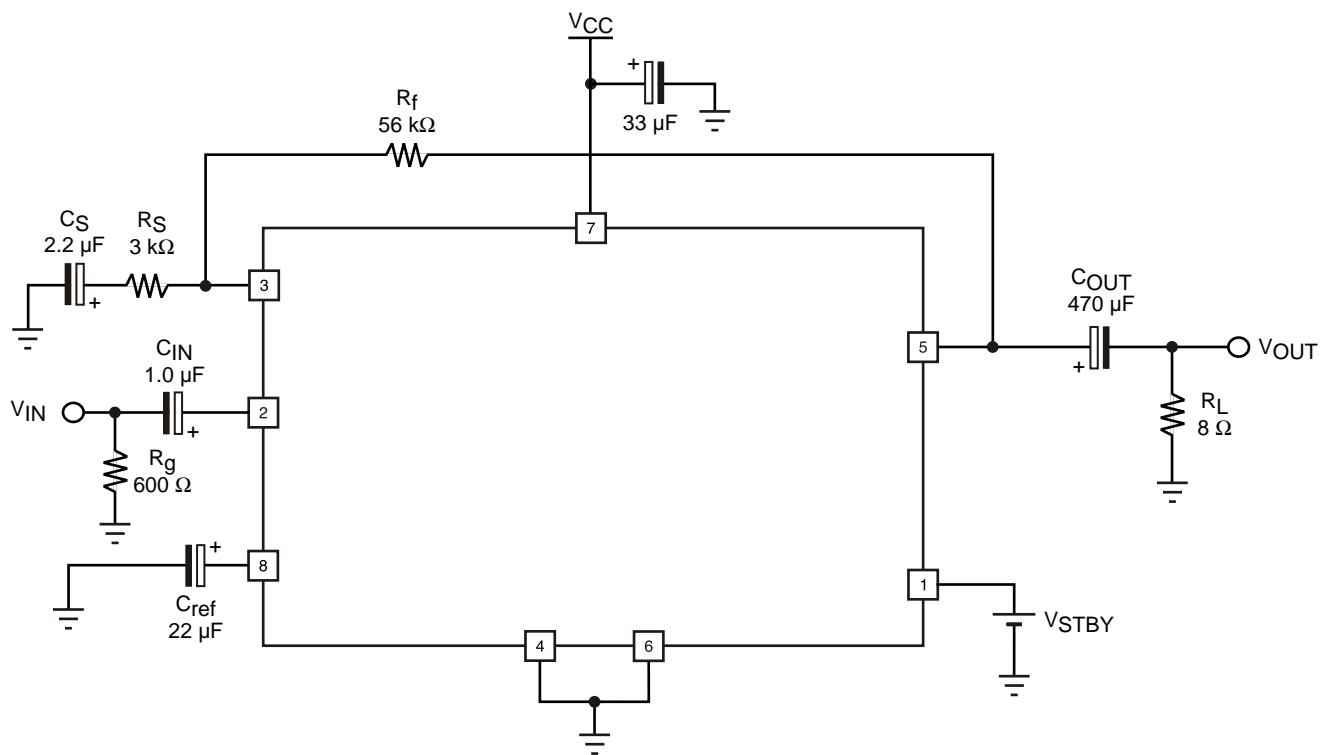
Test Conditions: $V_{CC} = 3.6\text{ V}$, $f = 1.0\text{ kHz}$, $R_L = 8\ \Omega$, $C_{OUT} = 470\ \mu\text{F}$, $T_A = 25\ ^\circ\text{C}$, unless otherwise specified.

SYMBOL	PARAMETER	TEST CONDITIONS	MIN	TYP	MAX	UNITS
I_{CC}	Supply Current	$V_{CC} = 3.6\text{ V}$, $R_L = \infty$		2.0	3.0	mA
		$V_{CC} = 5.0\text{ V}$, $R_L = \infty$		2.1	3.2	mA
I_{STBY}	Standby Supply Current	Pin 1 = GND, $R_L = \infty$		0.1	1.0	μA
I_{CONT}	Control Terminal Current	Pin 1 = $V_{CC} = 3.6\text{ V}$, Sink Current		42	100	μA
V_{THL}	Threshold Voltage (High to Low)	Pin 1, Operation to Standby	0.0		0.5	V
V_{TLH}	Threshold Voltage (Low to High)	Pin 1, Standby to Operation	1.8		V_{CC}	V
GVA	Voltage Gain		24.0	26.0	27.0	dB
THD	Total Harmonic Distortion	$V_{CC} = 3.6\text{ V}$, $P_{OUT} = 40\text{ mW}$		0.5	1.0	%
		$V_{CC} = 5.0\text{ V}$, $P_{OUT} = 90\text{ mW}$		0.5	1.0	%
$P_{OUT(MAX)}$	Maximum Output Power	$V_{CC} = 3.6\text{ V}$, THD $\leq 10\%$	60	90		mW
		$V_{CC} = 5.0\text{ V}$, THD $\leq 10\%$	140	200		mW
RR	Ripple Rejection Ratio	$C_{ref} = 22\ \mu\text{F}$, $f = 1\text{ kHz}$		45.0		dB
$V_{OUT(Noise)}$	Output Noise Voltage	$R_g = 600\ \Omega$, $V_{IN} = 0\text{ V}$		100	500	μV
$V_{OUT(DC)}$	DC Voltage at Output Terminal		1.20	1.40	1.60	V

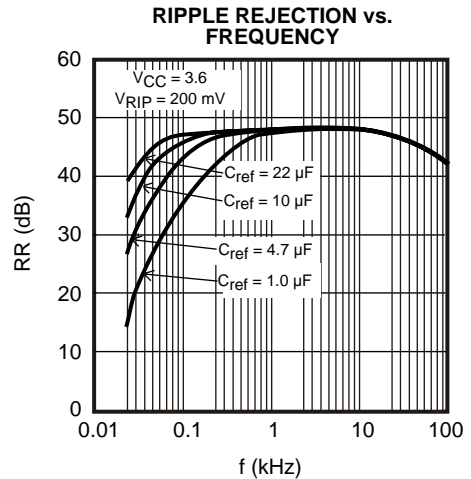
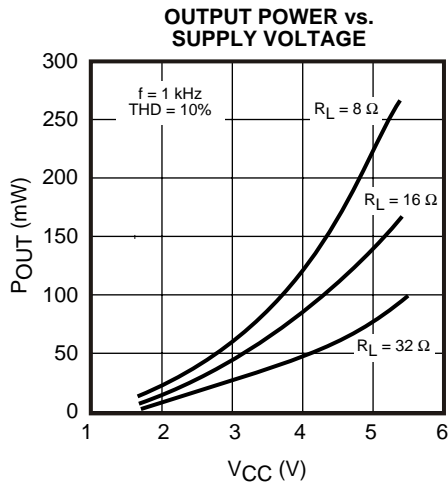
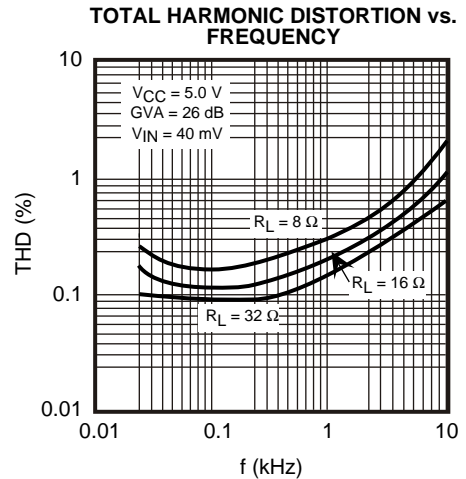
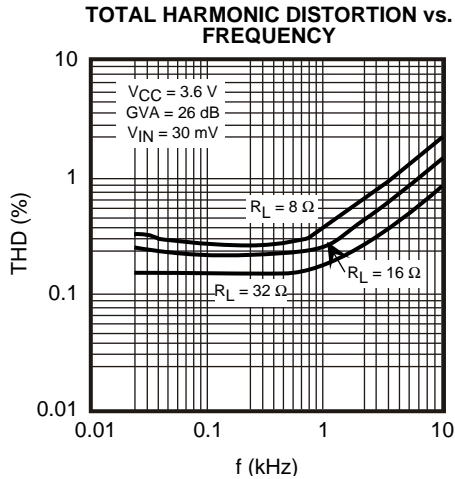
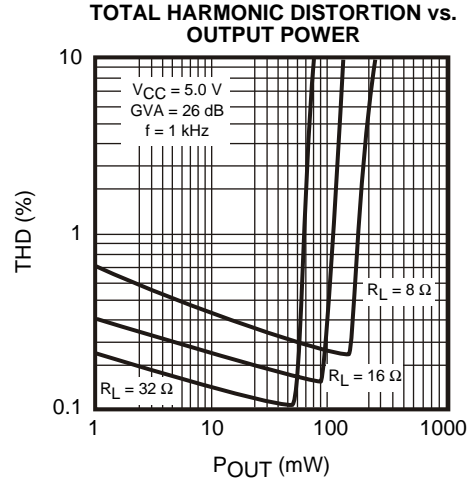
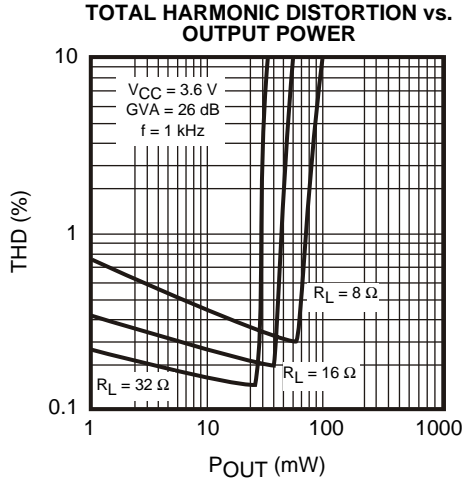
Note 1: Power dissipation is 400 mW in free air. Derate at 3.2 mW/°C for operation above 25 °C.

Note 2: Power dissipation is 600 mW when mounted. Derate at 4.8 mW/°C for operation above 25 °C. Maximum junction temperature is limited to 150 °C.

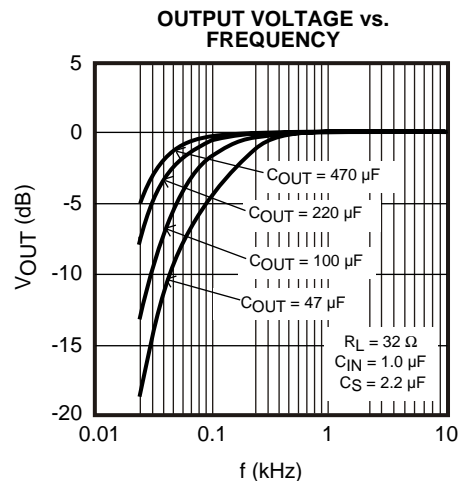
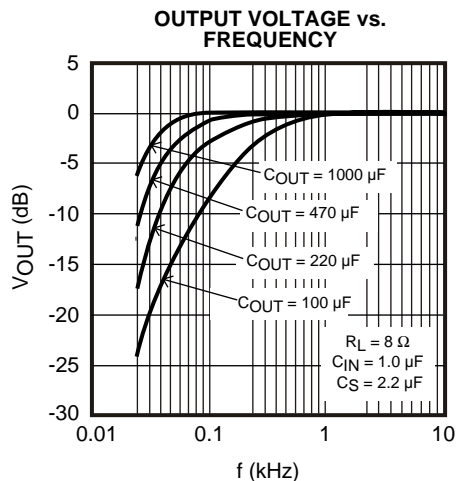
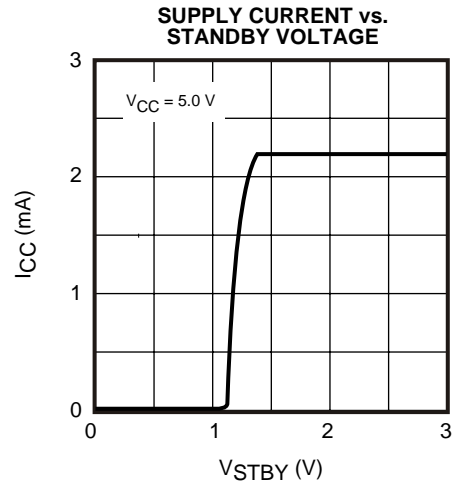
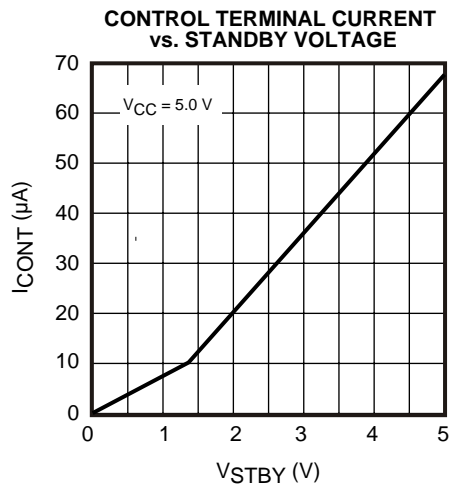
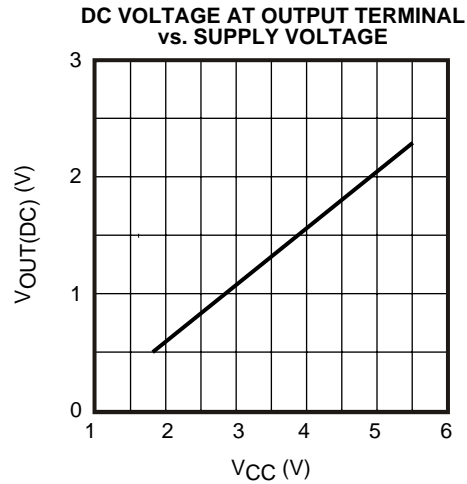
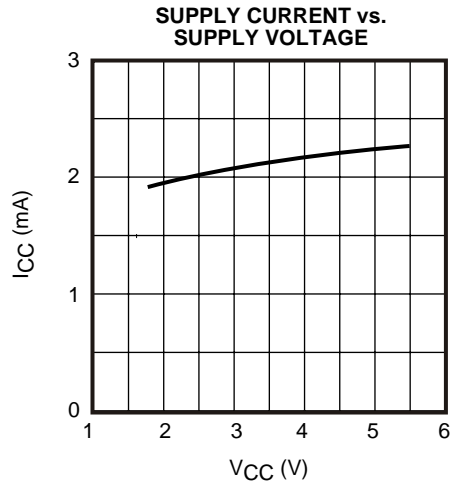
TEST CIRCUIT



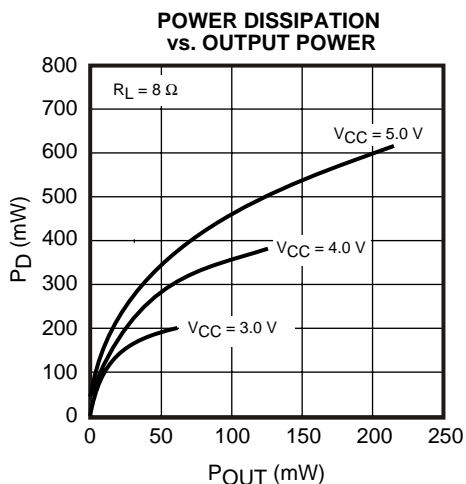
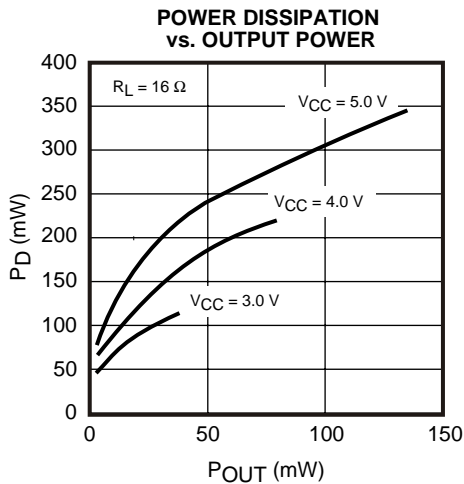
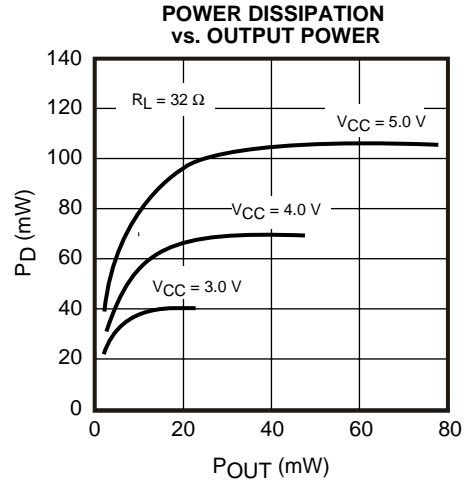
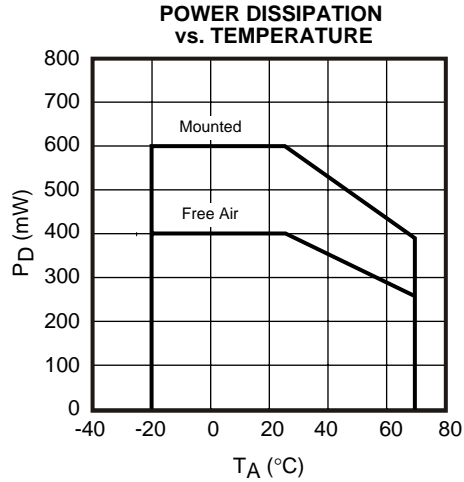
TYPICAL PERFORMANCE CHARACTERISTICS



TYPICAL PERFORMANCE CHARACTERISTICS (CONT.)



TYPICAL PERFORMANCE CHARACTERISTICS (CONT.)



PIN FUNCTION DESCRIPTION

PIN NO.	SYMBOL	TERMINAL VOLTAGE (V)	INTERNAL EQUIVALENT CIRCUIT	DESCRIPTION
1	STANDBY	V_{CC}		<p>Circuit is in the ON mode when Pin 1 is high.</p> <p>Circuit is in the OFF mode with supply current less than 0.1 μA when Pin 1 is low (GND level).</p>

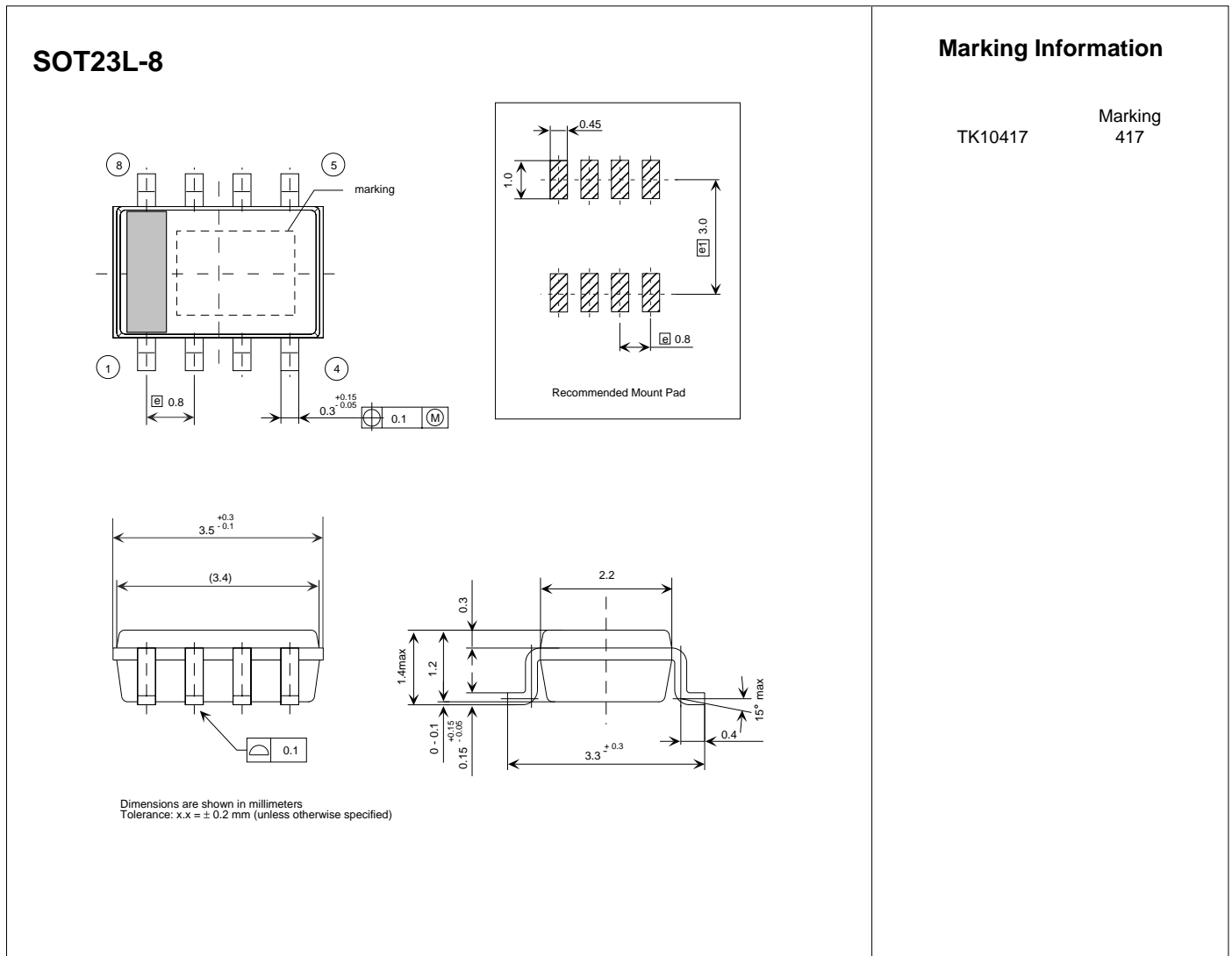
PIN FUNCTION DESCRIPTION (CONT.)

PIN NO.	SYMBOL	TERMINAL VOLTAGE (V)	INTERNAL EQUIVALENT CIRCUIT	DESCRIPTION
2	V_{IN+}	V_{OUT}		<p>Amplifier Non-inverting Input Terminal.</p> <p>Terminal is connected via 100 kΩ to V_{ref}.</p>
3	V_{IN-}	V_{OUT}		Amplifier Inverting Input Terminal.
4,6	GND	0 V		GND Terminal
5	V_{OUT}	V_{OUT}		Output Terminal
7	V_{CC}	V_{CC}		Power Supply Terminal
8	V_{ref}	V_{OUT}		Reference Voltage Terminal

Note 1: Terminal voltage with no input signal is calculated by the following equation:

$$V_{OUT} = (V_{CC} - 0.56) \times \frac{43 \text{ k}}{43 \text{ k} + 47 \text{ k}}$$

PACKAGE OUTLINE



Toko America, Inc. Headquarters
1250 Feehanville Drive, Mount Prospect, Illinois 60056
Tel: (847) 297-0070 Fax: (847) 699-7864

TOKO AMERICA REGIONAL OFFICES

Midwest Regional Office
Toko America, Inc.
1250 Feehanville Drive
Mount Prospect, IL 60056
Tel: (847) 297-0070
Fax: (847) 699-7864

Western Regional Office
Toko America, Inc.
2480 North First Street, Suite 260
San Jose, CA 95131
Tel: (408) 432-8281
Fax: (408) 943-9790

Eastern Regional Office
Toko America, Inc.
107 Mill Plain Road
Danbury, CT 06811
Tel: (203) 748-6871
Fax: (203) 797-1223

Semiconductor Technical Support
Toko Design Center
4755 Forge Road
Colorado Springs, CO 80907
Tel: (719) 528-2200
Fax: (719) 528-2375

Visit our Internet site at <http://www.tokoam.com>

The information furnished by TOKO, Inc. is believed to be accurate and reliable. However, TOKO reserves the right to make changes or improvements in the design, specification or manufacture of its products without further notice. TOKO does not assume any liability arising from the application or use of any product or circuit described herein, nor for any infringements of patents or other rights of third parties which may result from the use of its products. No license is granted by implication or otherwise under any patent or patent rights of TOKO, Inc.