



**BOURNS®**

**Features**

- 10 position selector switch
- Miniature industrial switch
- Vertical adjust
- Rugged surface mount design
- Break-before make timing

**Applications**

- Test equipment
- Instrumentation
- Computer hardware

**7643 SMD 7mm Square Sealed Selector Switch**

**Electrical Characteristics**

Contact Rating  
 Maximum Current .....100mA max.  
 Maximum Voltage .....16V  
 Contact Resistance  
 .....100 milliohms max.  
 Insulation Resistance  
 .....100 megohms  
 Dielectric Strength .....250 volts

**General Characteristics**

Operating Temperature Range  
 .....-55°C to +125°C  
 Storage Temperature Range  
 .....-55°C to +125°C  
 Seal Test .....85°C Fluorinert\*

**Mechanical Characteristics**

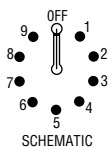
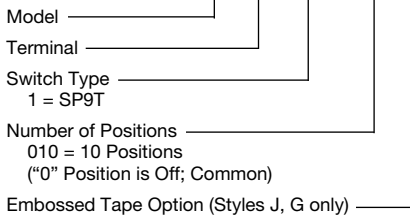
Switch Type .....SP9T  
 Adjustment Detent Torque  
 ..... 0.2-1.0 N-cm

**Environmental Characteristics**

Shock ..... 100G  
 0.1 ms. max. discontinuity  
 Vibration .....30G  
 0.1 ms. max. discontinuity  
 Thermal Shock (5 cycles)  
 .....-55°C to +125°C  
 Actuation Life .....1,000 steps  
 Maximum Soldering Heat .....245°C,  
 .....5 seconds  
 Standard Packaging  
 Tube .....50 pcs./tube  
 Tape & Reel .....250 pcs./reel

**How to Order**

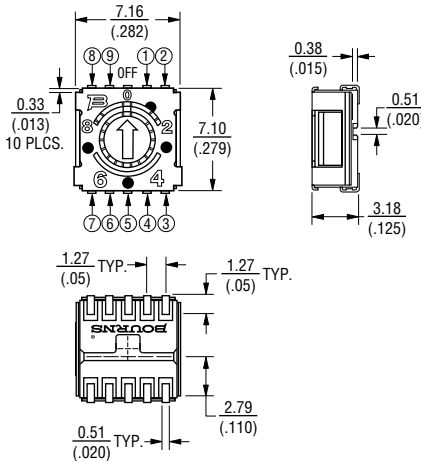
**7643 J - 1 - 010 E**



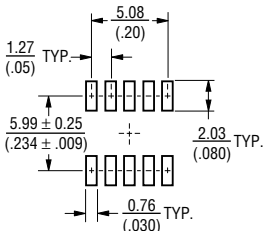
TOLERANCES: ±.2 EXCEPT WHERE NOTED.  
 DIMENSIONS:  $\frac{MM}{(IN)}$   
 \*OFF POSITION IS COMMON.

**Product Dimensions**

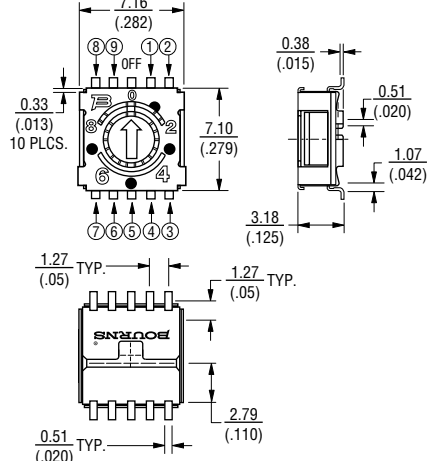
**7643J**



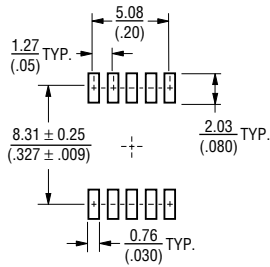
RECOMMENDED PCB LAYOUT



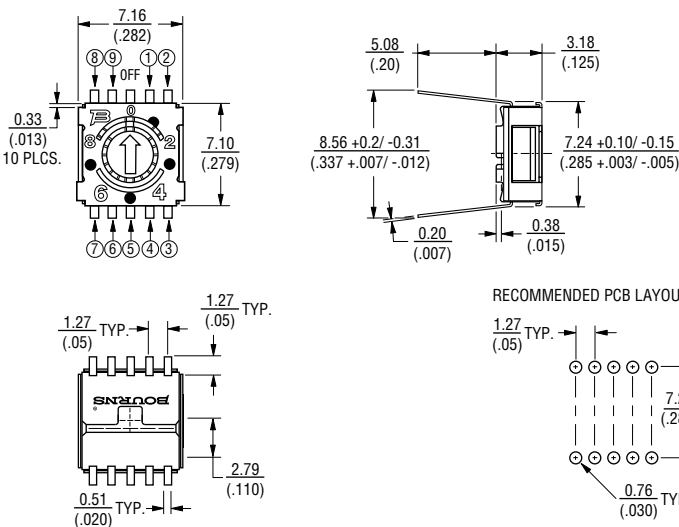
**7643G**



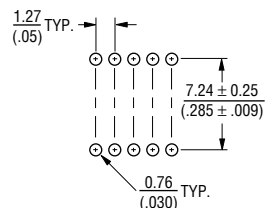
RECOMMENDED PCB LAYOUT



**7643H**



RECOMMENDED PCB LAYOUT

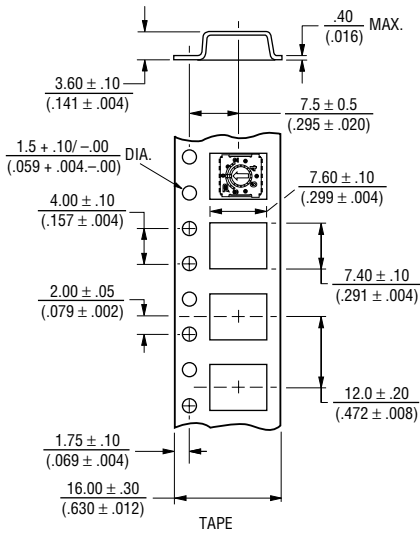


# 7643 SMD 7mm Square Sealed Selector Switch

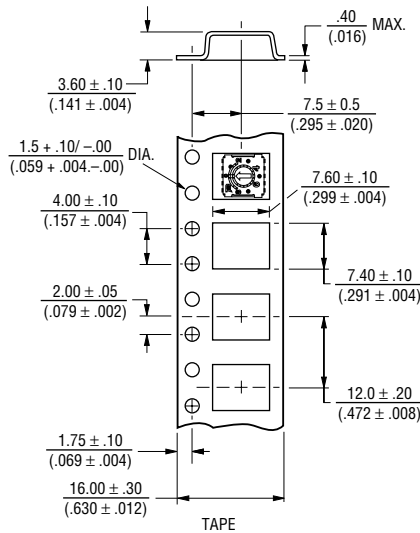
**BOURNS®**

## Packaging Specifications

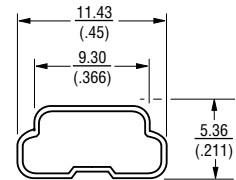
**(J Style)**



**(G Style)**

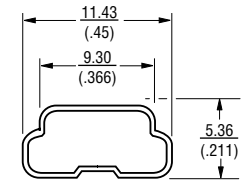


**(J Style)**

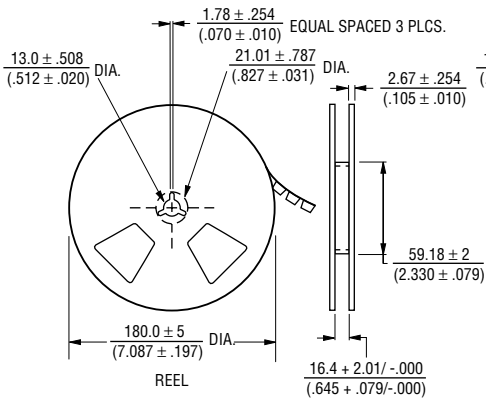


TUBE LENGTH - 384MM.  
UNITS PACKAGED 50 PIECES PER TUBE.

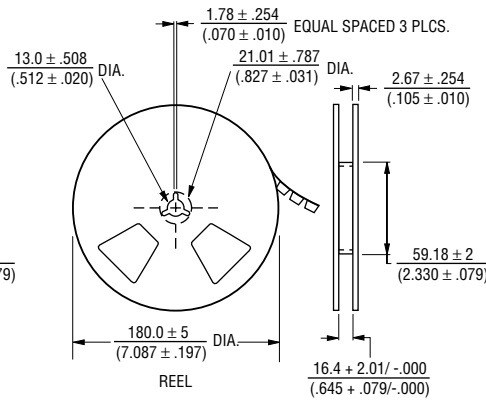
**(G Style)**



TUBE LENGTH - 384MM.  
UNITS PACKAGED 50 PIECES PER TUBE.

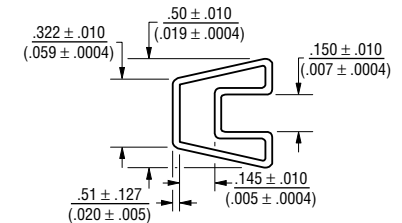


Meets EIA specification 481.



Meets EIA specification 481.

**(H Style)**



TUBE LENGTH - 390MM.  
UNITS PACKAGED 50 PIECES PER TUBE.