

MOS FIELD EFFECT TRANSISTOR  
2SJ463A

P-CHANNEL MOS FIELD EFFECT TRANSISTOR  
FOR HIGH SPEED SWITCHING

DESCRIPTION

The 2SJ463A is a switching device which can be driven directly by a 2.5 V power source.

The 2SJ463A has excellent switching characteristics, and is suitable for use as a high-speed switching device in digital circuits.

FEATURES

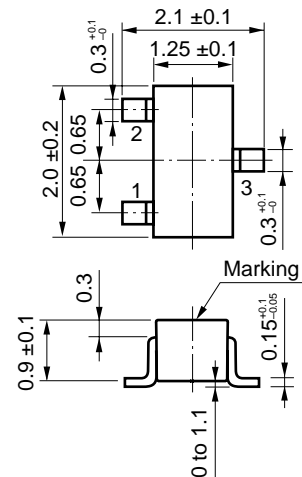
- Can be driven by a 2.5 V power source.
- Low Gate Cut-off Voltage.

ABSOLUTE MAXIMUM RATINGS (T<sub>A</sub> = 25 °C)

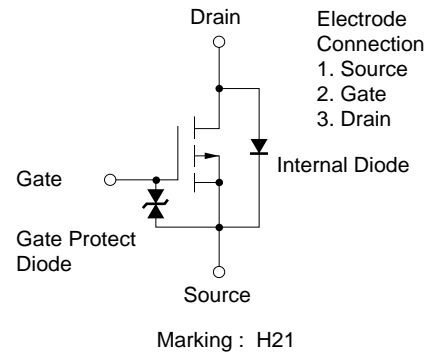
Drain to Source Voltage	V <sub>DSS</sub>	-30	V
Gate to Source Voltage	V <sub>GSS</sub>	±20	V
Drain Current (DC)	I <sub>D(DC)</sub>	±0.1	A
Drain Current (pulse)	I <sub>D(pulse)</sub>	±0.4 <b>Note</b>	A
Total Power Dissipation	P <sub>T</sub>	150	mW
Channel Temperature	T <sub>ch</sub>	150	°C
Storage Temperature	T <sub>stg</sub>	-55 to +150	°C

**Note** PW ≤ 10 μs, Duty Cycle ≤ 1 %

Package Drawings (unit: mm)



Equivalent Circuit

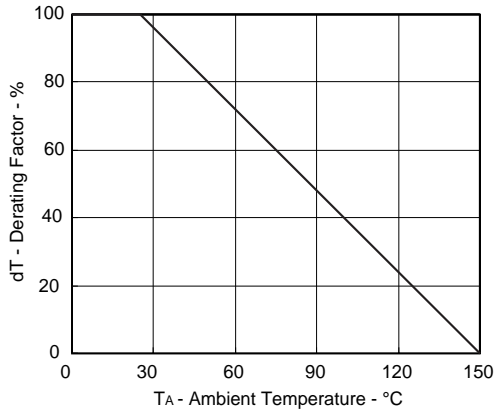


The diode connected between the gate and source of the transistor serves as a protector against ESD. When this device is actually used, an additional protection circuit is externally required if a voltage exceeding the rated voltage may be applied to this device.

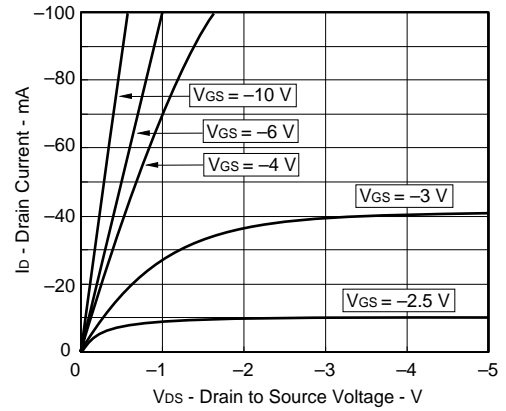
**ELECTRICAL CHARACTERISTICS (T<sub>A</sub> = 25 °C)**

CHARACTERISTIC	SYMBOL	MIN.	TYP.	MAX.	UNIT	TEST CONDITIONS
Drain Cut-off Current	I <sub>DSS</sub>			-1	μA	V <sub>DS</sub> = -30 V, V <sub>GS</sub> = 0
Gate Leakage Current	I <sub>GSS</sub>			±10	μA	V <sub>GS</sub> = ±20 V, V <sub>DS</sub> = 0
Gate Cut-off Voltage	V <sub>GS(off)</sub>	-1.0	-1.4	-1.7	V	V <sub>DS</sub> = -3 V, I <sub>D</sub> = -10 μA
Forward Transfer Admittance	y <sub>fs</sub>	20			mS	V <sub>DS</sub> = -3 V, I <sub>D</sub> = -10 mA
Drain to Source On-State Resistance	R <sub>DS(on)1</sub>		23	60	Ω	V <sub>GS</sub> = -2.5 V, I <sub>D</sub> = -1 mA
Drain to Source On-State Resistance	R <sub>DS(on)2</sub>		11	23	Ω	V <sub>GS</sub> = -4 V, I <sub>D</sub> = -10 mA
Drain to Source On-State Resistance	R <sub>DS(on)3</sub>		6	13	Ω	V <sub>GS</sub> = -10 V, I <sub>D</sub> = -10 mA
Input Capacitance	C <sub>iss</sub>		5		pF	V <sub>DS</sub> = -3 V
Output Capacitance	C <sub>oss</sub>		15		pF	V <sub>GS</sub> = 0
Reverse Transfer Capacitance	C <sub>rss</sub>		1.3		pF	f = 1 MHz
Turn-on Delay Time	t <sub>d(on)</sub>		140		ns	V <sub>DD</sub> = -3 V, I <sub>D</sub> = -10 mA
Rise Time	t <sub>r</sub>		330		ns	V <sub>GS(on)</sub> = -4 V, R <sub>G</sub> = 10 Ω
Turn-off Delay Time	t <sub>d(off)</sub>		220		ns	R <sub>L</sub> = 300 Ω
Fall Time	t <sub>f</sub>		320		ns	

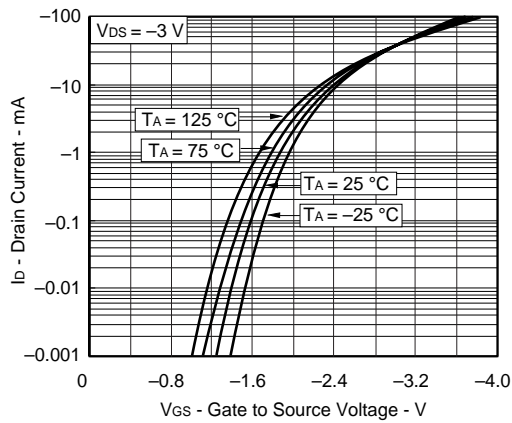
DERATING FACTOR OF FORWARD BIAS SAFE OPERATING AREA



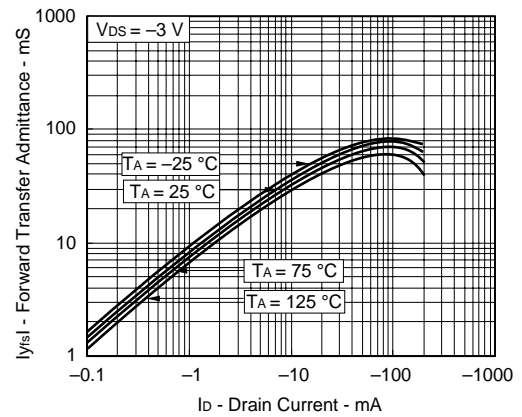
DRAIN CURRENT vs. DRAIN TO SOURCE VOLTAGE



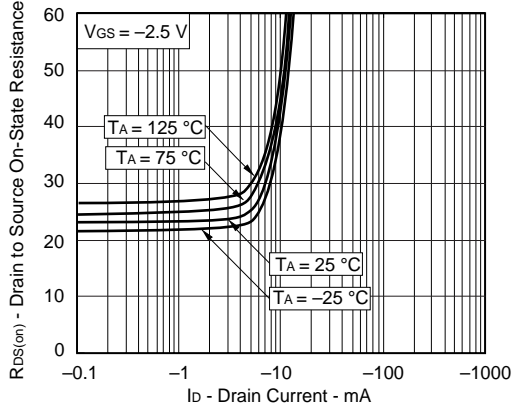
TRANSFER CHARACTERISTICS



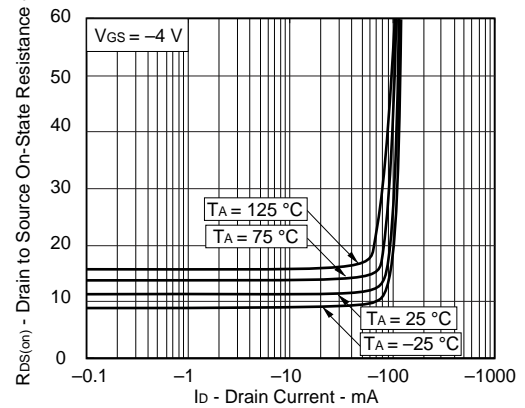
FORWARD TRANSFER ADMITTANCE vs. DRAIN CURRENT

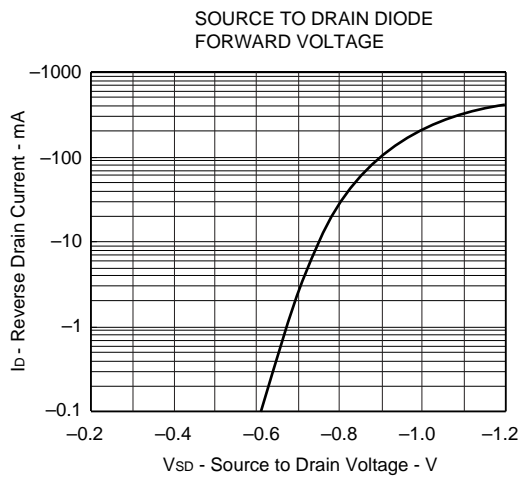
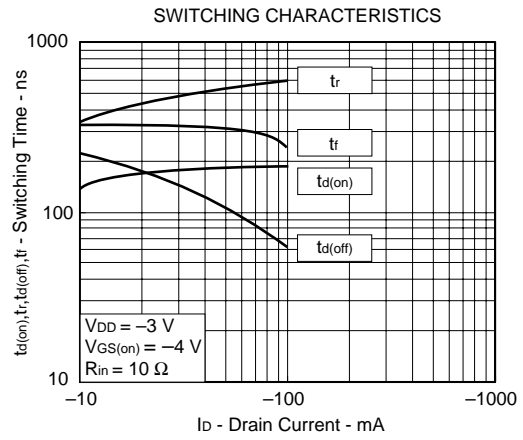
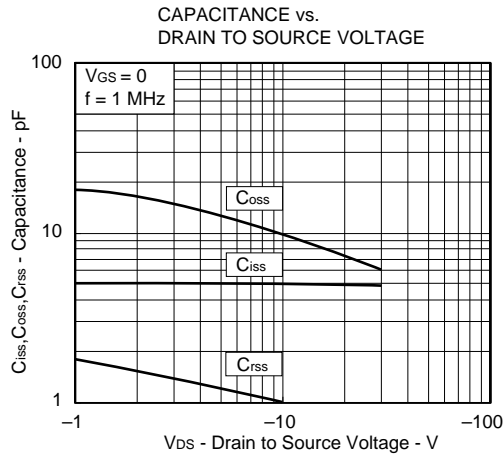
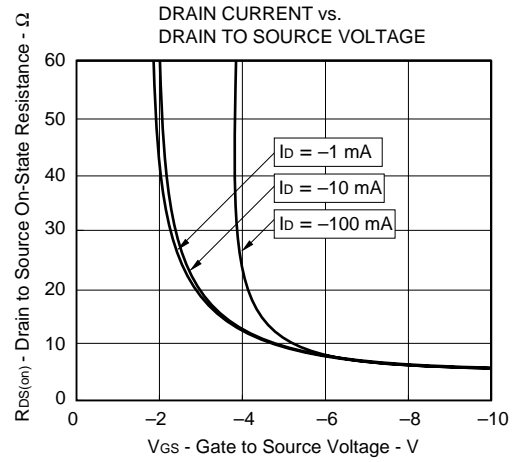
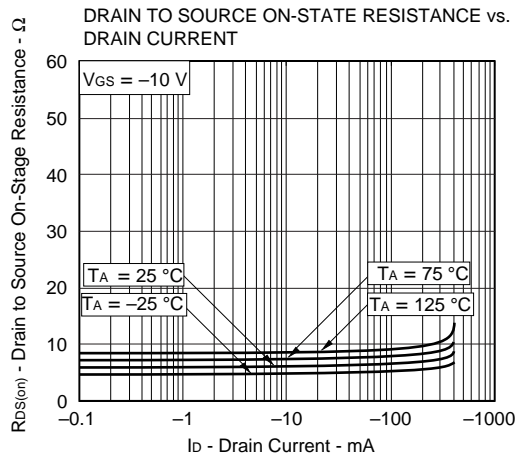


DRAIN TO SOURCE ON-STATE RESISTANCE vs. DRAIN CURRENT



DRAIN TO SOURCE ON-STATE RESISTANCE vs. DRAIN CURRENT





**REFERENCE**

Document Name	Document No.
NEC semiconductor device reliability/quality control system	TEI-1202
Quality grade on NEC semiconductor devices	C11531E
Semiconductor device mounting technology manual	C10535E
Guide to quality assurance for semiconductor devices	MEI-1202
Semiconductor selection guide	X10679E

[MEMO]

[MEMO]

No part of this document may be copied or reproduced in any form or by any means without the prior written consent of NEC Corporation. NEC Corporation assumes no responsibility for any errors which may appear in this document.

NEC Corporation does not assume any liability for infringement of patents, copyrights or other intellectual property rights of third parties by or arising from use of a device described herein or any other liability arising from use of such device. No license, either express, implied or otherwise, is granted under any patents, copyrights or other intellectual property rights of NEC Corporation or others.

While NEC Corporation has been making continuous effort to enhance the reliability of its semiconductor devices, the possibility of defects cannot be eliminated entirely. To minimize risks of damage or injury to persons or property arising from a defect in an NEC semiconductor device, customers must incorporate sufficient safety measures in its design, such as redundancy, fire-containment, and anti-failure features.

NEC devices are classified into the following three quality grades:

"Standard", "Special", and "Specific". The Specific quality grade applies only to devices developed based on a customer designated "quality assurance program" for a specific application. The recommended applications of a device depend on its quality grade, as indicated below. Customers must check the quality grade of each device before using it in a particular application.

Standard: Computers, office equipment, communications equipment, test and measurement equipment, audio and visual equipment, home electronic appliances, machine tools, personal electronic equipment and industrial robots

Special: Transportation equipment (automobiles, trains, ships, etc.), traffic control systems, anti-disaster systems, anti-crime systems, safety equipment and medical equipment (not specifically designed for life support)

Specific: Aircrafts, aerospace equipment, submersible repeaters, nuclear reactor control systems, life support systems or medical equipment for life support, etc.

The quality grade of NEC devices is "Standard" unless otherwise specified in NEC's Data Sheets or Data Books. If customers intend to use NEC devices for applications other than those specified for Standard quality grade, they should contact an NEC sales representative in advance.

Anti-radioactive design is not implemented in this product.