

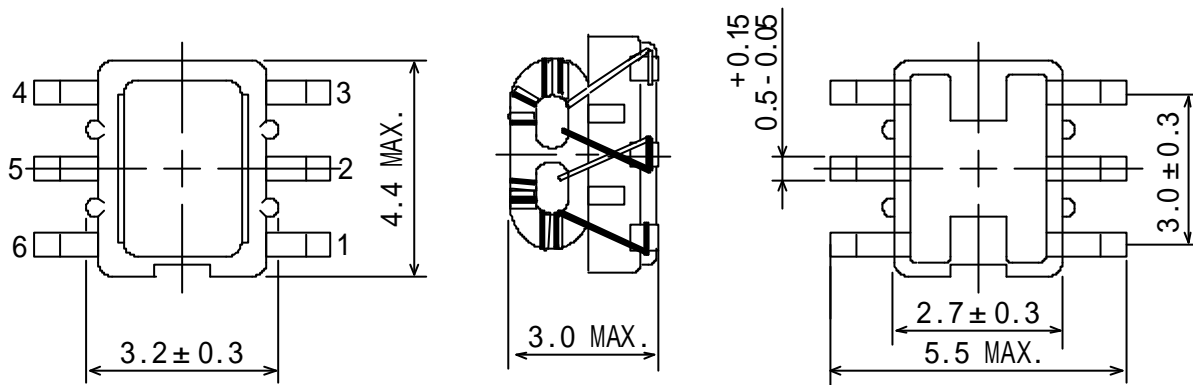
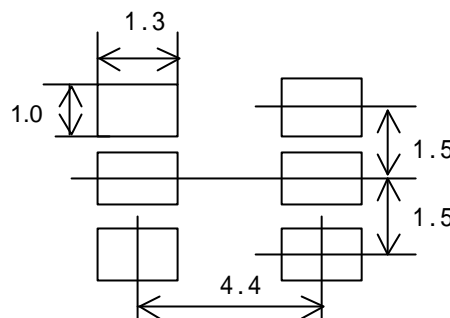
Type: CBM42

Product Description

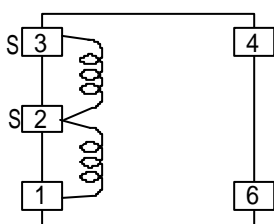
- 4.4 × 5.5mm Max.(L × W), 3.0mm Max. Height.
- Operating frequency: 100KHz ~ 1GHz


Feature

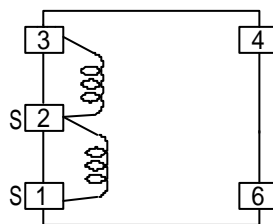
- Balance-unbalance transformer, common mode choke.
- Ideally used in EMC and balance-unbalance converter circuit, CATV signal transfer, USB2.0, IEEE1394.
- RoHS Compliance.

Dimensions (mm)

Land Pattern (mm)

Schematics(Bottom)

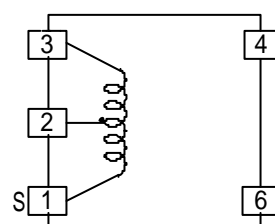
"S" is winding start.



(1)

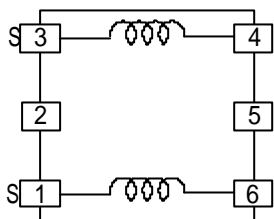


(2)

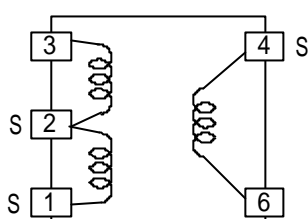


(3)

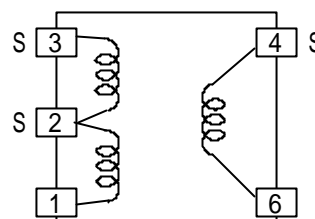
Type: CBM42



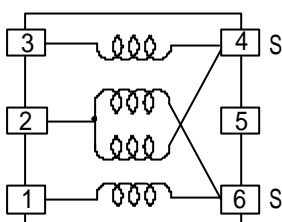
(4)



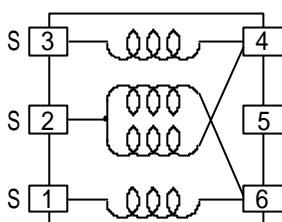
(5)



(6)



(7)



(8)

Specification

Part Name	Turns		Wire	Schematics No.
S0746433-01	3 - 2	3 T	0.12UEW	(1)
	2 - 1	3 T		
S0746433-02	1 - 2	2 T	0.12UEW	(2)
	2 - 3	2 T		
S0746433-03	1 - 2	1 T	0.12UEW	(3)
	2 - 3	1 T		
S0746434-01	1 - 6	5 T	0.08UEW	(4)
	3 - 4	5 T		
S0746434-02	1 - 6	8 T	0.08UEW	(4)
	3 - 4	8 T		
S0746435-01	4 - 6	2 T	0.10UEW	(5)
	1 - 2	2 T		
	2 - 3	2 T		
S0746435-02	4 - 6	3 T	0.10UEW	(6)
	3 - 2	3 T		
	2 - 1	3 T		
S0746436-01	6 - 1	4 T	0.12UEW	(7)
	4 - 2	4 T		
	4 - 3	4 T		
	6 - 2	4 T		
S0746436-02	1 - 6	5 T	0.12UEW	(8)
	2 - 4	5 T		
	3 - 4	5 T		
	2 - 6	5 T		