

BB305M

Built in Biasing Circuit MOS FET IC
UHF/VHF RF Amplifier

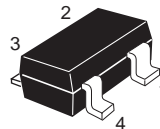
REJ03G0829-0600
(Previous ADE-208-607D)
Rev.6.00
Aug.10.2005

Features

- Built in Biasing Circuit; To reduce using parts cost & PC board space.
- Superior cross modulation characteristics.
- High gain; (PG = 28 dB typ. at f = 200 MHz)
- Wide supply voltage range;
Applicable with 5V to 9V supply voltage.
- Withstanding to ESD;
Built in ESD absorbing diode. Withstand up to 200V at C=200pF, Rs=0 conditions.
- Provide mini mold packages; MPAK-4(SOT-143Rmod)

Outline

RENESAS Package code: PLSP0004ZA-A
(Package name: MPAK-4)



1. Source
2. Gate1
3. Gate2
4. Drain

- Notes:
1. Marking is "EW -".
 2. BB305M is individual type number of RENESAS BBFET.

Absolute Maximum Ratings

(Ta = 25°C)

Item	Symbol	Ratings	Unit
Drain to source voltage	V_{DS}	12	V
Gate1 to source voltage	V_{G1S}	+10 -0	V
Gate2 to source voltage	V_{G2S}	±10	V
Drain current	I_D	25	mA
Channel power dissipation	Pch	150	mW
Channel temperature	Tch	150	°C
Storage temperature	Tstg	-55 to +150	°C

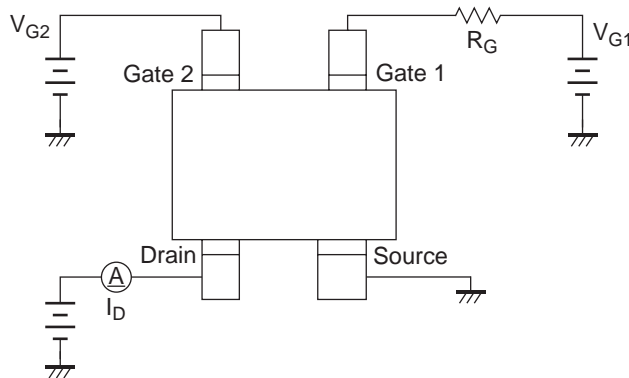
Electrical Characteristics

(Ta = 25°C)

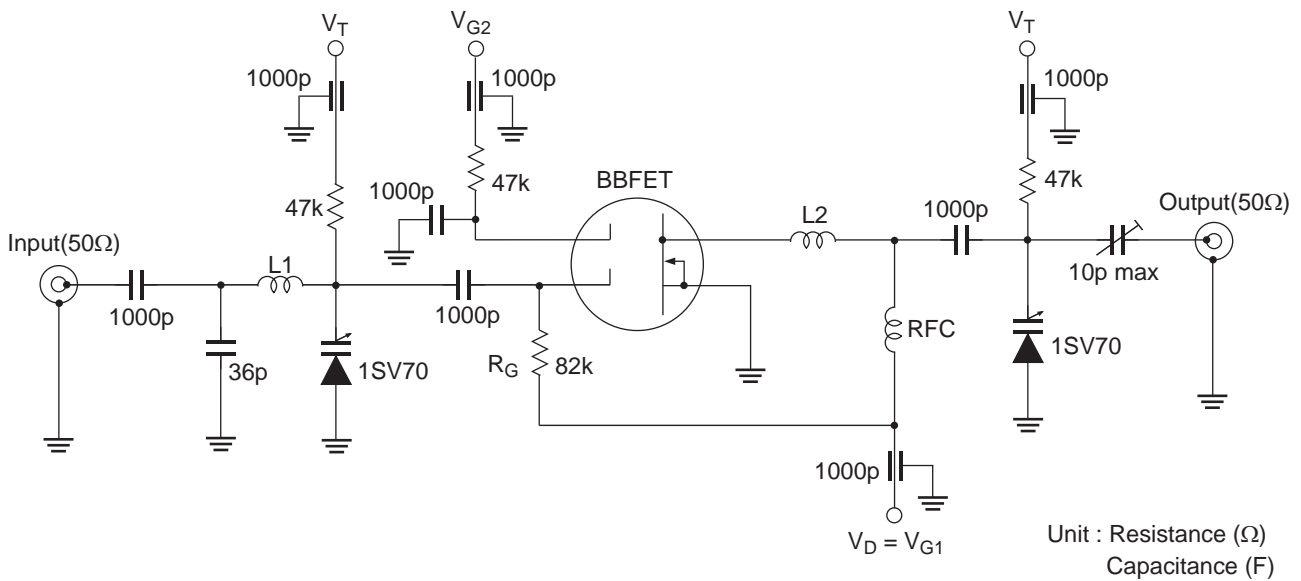
Item	Symbol	Min	Typ	Max	Unit	Test conditions
Drain to source breakdown voltage	$V_{(BR)DSS}$	12	—	—	V	$I_D = 200 \mu A, V_{G1S} = V_{G2S} = 0$
Gate1 to source breakdown voltage	$V_{(BR)G1SS}$	+10	—	—	V	$I_{G1} = +10 \mu A, V_{G2S} = V_{DS} = 0$
Gate2 to source breakdown voltage	$V_{(BR)G2SS}$	±10	—	—	V	$I_{G2} = \pm 10 \mu A, V_{G1S} = V_{DS} = 0$
Gate1 to source cutoff current	I_{G1SS}	—	—	+100	nA	$V_{G1S} = +9 V, V_{G2S} = V_{DS} = 0$
Gate2 to source cutoff current	I_{G2SS}	—	—	±100	nA	$V_{G2S} = \pm 9 V, V_{G1S} = V_{DS} = 0$
Gate1 to source cutoff voltage	$V_{G1S(off)}$	0.4	—	1.0	V	$V_{DS} = 5 V, V_{G2S} = 4 V$ $I_D = 100 \mu A$
Gate2 to source cutoff voltage	$V_{G2S(off)}$	0.4	—	1.0	V	$V_{DS} = 5 V, V_{G1S} = 5 V$ $I_D = 100 \mu A$
Input capacitance	C_{iss}	2.3	2.8	3.5	pF	$V_{DS} = 5 V, V_{G1} = 5 V$
Output capacitance	C_{oss}	1.1	1.5	1.9	pF	$V_{G2S} = 4 V, R_G = 82 k\Omega$
Reverse transfer capacitance	C_{rss}	—	0.017	0.04	pF	$f = 1 MHz$
Drain current	$I_{D(op) 1}$	10	15	20	mA	$V_{DS} = 5 V, V_{G1} = 5 V, V_{G2S} = 4 V$ $R_G = 82 k\Omega$
	$I_{D(op) 2}$	—	13	—	mA	$V_{DS} = 9 V, V_{G1} = 9 V, V_{G2S} = 6 V$ $R_G = 220 k\Omega$
Forward transfer admittance	$ y_{fs} 1$	23	28	—	mS	$V_{DS} = 5 V, V_{G1} = 5 V, V_{G2S} = 4 V$ $R_G = 82 k\Omega, f = 1 kHz$
	$ y_{fs} 2$	—	28	—	mS	$V_{DS} = 9 V, V_{G1} = 9 V, V_{G2S} = 6 V$ $R_G = 220 k\Omega, f = 1 kHz$
Power gain	PG1	24	28	—	dB	$V_{DS} = 5 V, V_{G1} = 5 V, V_{G2S} = 4 V$ $R_G = 82 k\Omega, f = 200 MHz$
	PG2	—	28	—	dB	$V_{DS} = 9 V, V_{G1} = 9 V, V_{G2S} = 6 V$ $R_G = 220 k\Omega, f = 200 MHz$
Noise figure	NF1	—	1.4	1.9	dB	$V_{DS} = 5 V, V_{G1} = 5 V, V_{G2S} = 4 V$ $R_G = 82 k\Omega, f = 200 MHz$
	NF2	—	1.4	—	dB	$V_{DS} = 9 V, V_{G1} = 9 V, V_{G2S} = 6 V$ $R_G = 220 k\Omega, f = 200 MHz$

Main Characteristics

Test Circuit for Operating Items ($I_{D(op)}$, $|y_{fs}|$, C_{iss} , C_{oss} , C_{rss} , NF, PG)

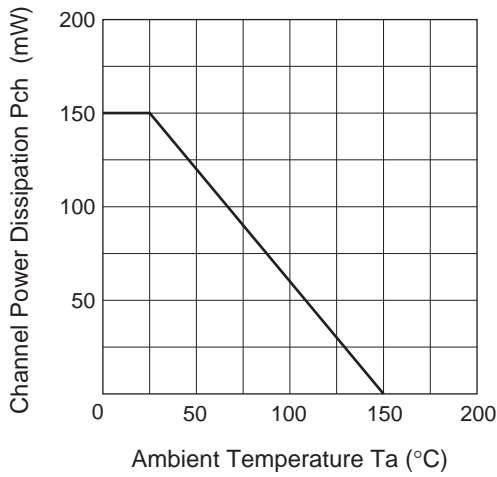


200MHz Power Gain, Noise Figure Test Circuit

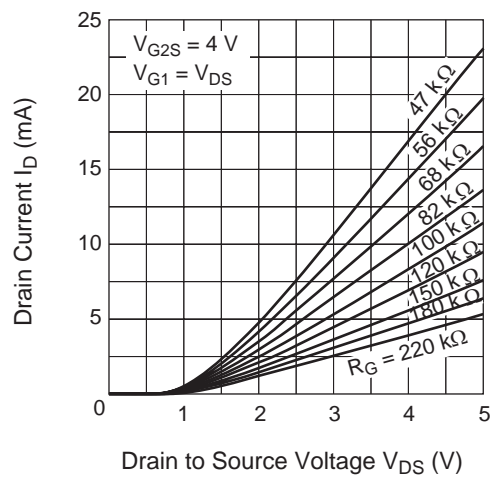


- L1 : ϕ 1mm Enameled Copper Wire, Inside dia 10mm, 2Turns
- L2 : ϕ 1mm Enameled Copper Wire, Inside dia 10mm, 2Turns
- RFC : ϕ 1mm Enameled Copper Wire, Inside dia 5mm, 2Turns

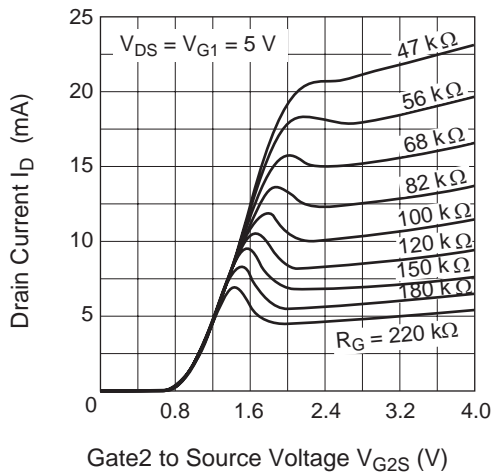
Maximum Channel Power Dissipation Curve



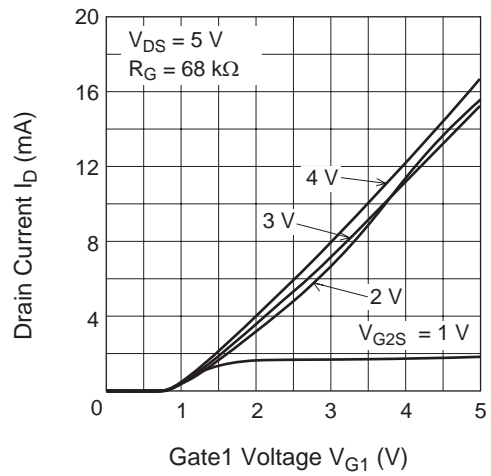
Typical Output Characteristics



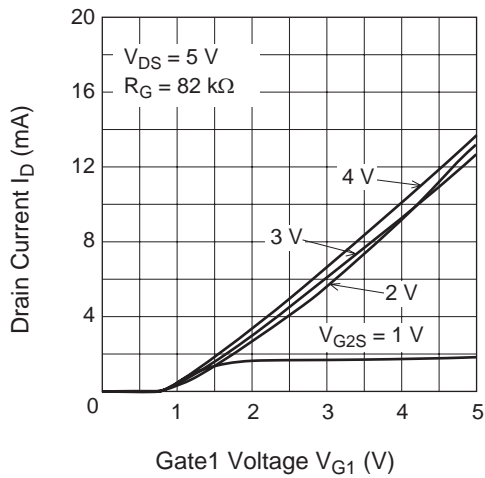
Drain Current vs. Gate2 to Source Voltage



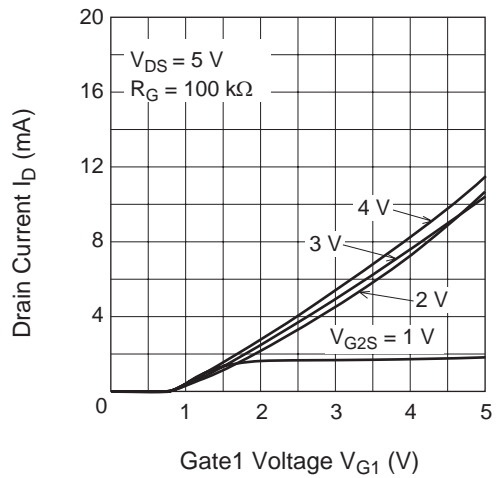
Drain Current vs. Gate1 Voltage

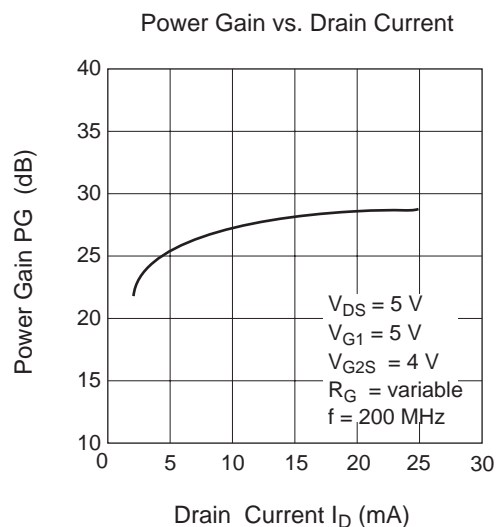
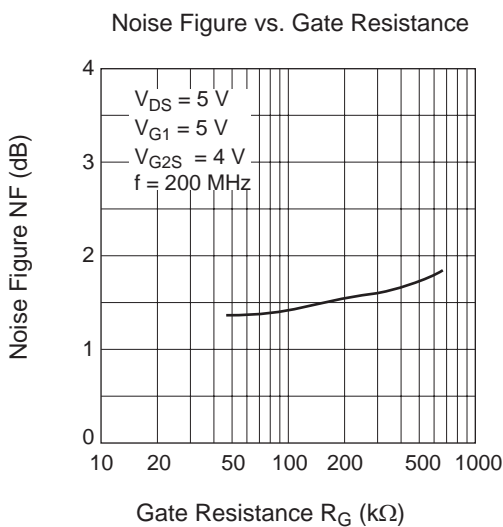
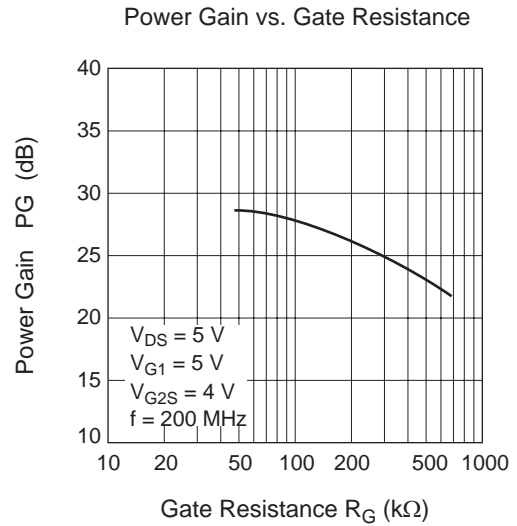
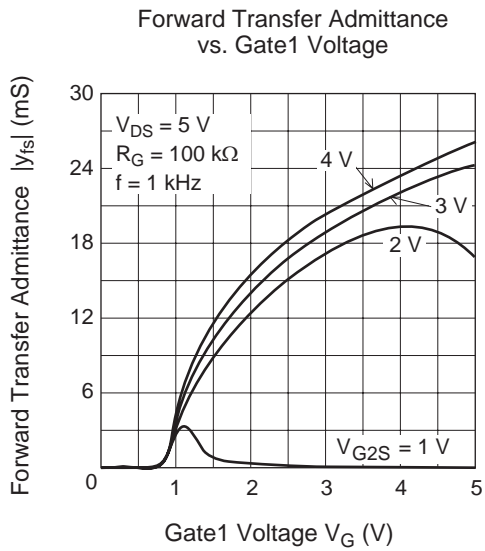
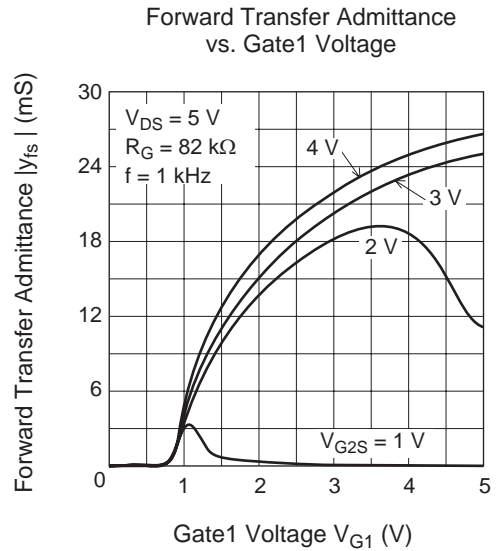
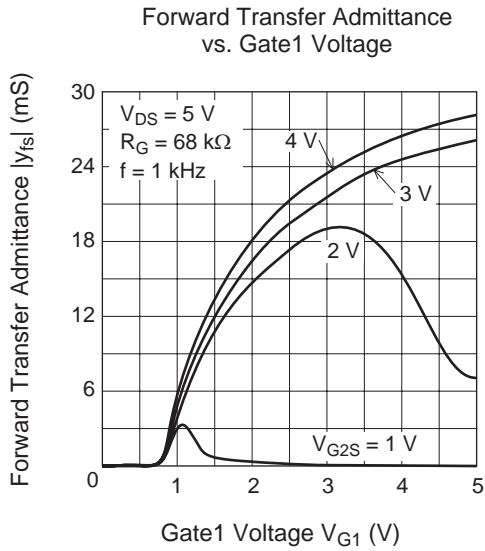


Drain Current vs. Gate1 Voltage

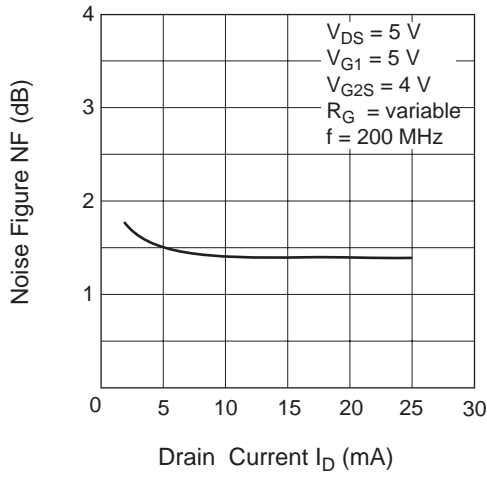


Drain Current vs. Gate1 Voltage

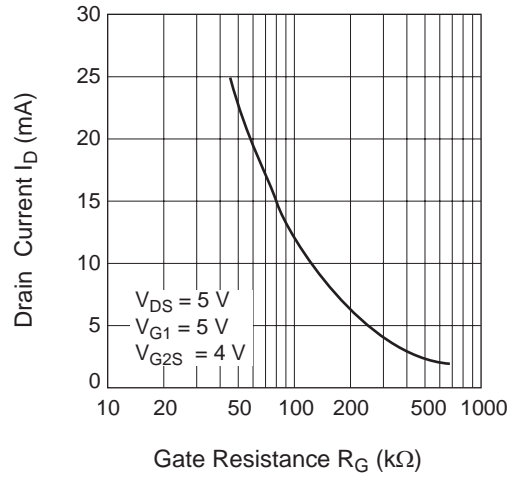




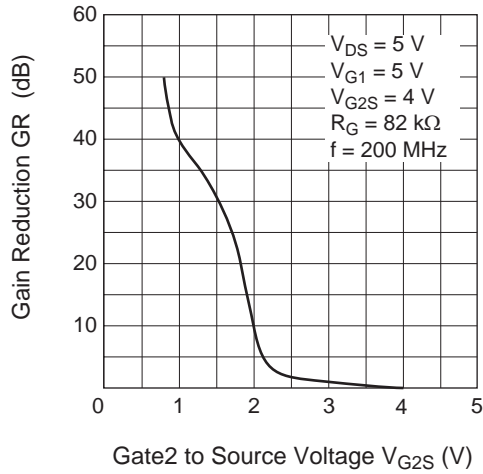
Noise Figure vs. Drain Current



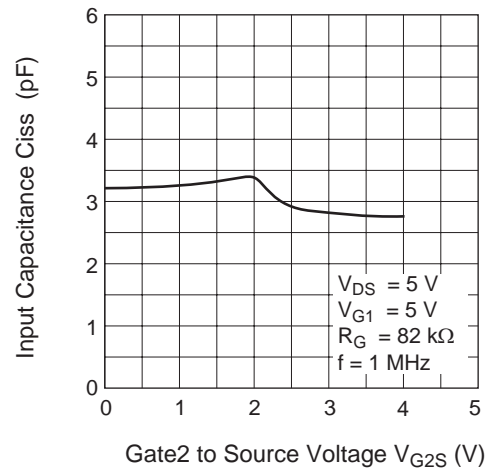
Drain Current vs. Gate Resistance



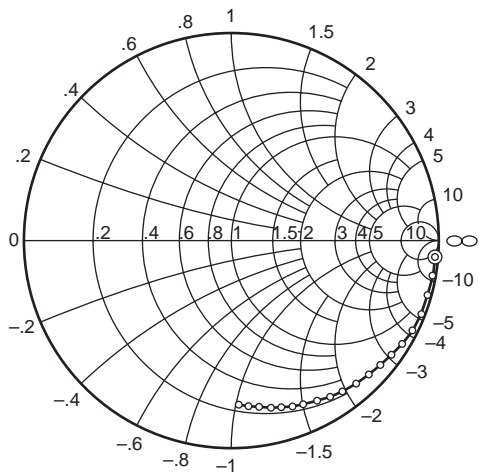
Gain Reduction vs. Gate2 to Source Voltage



Input Capacitance vs. Gate2 to Source Voltage



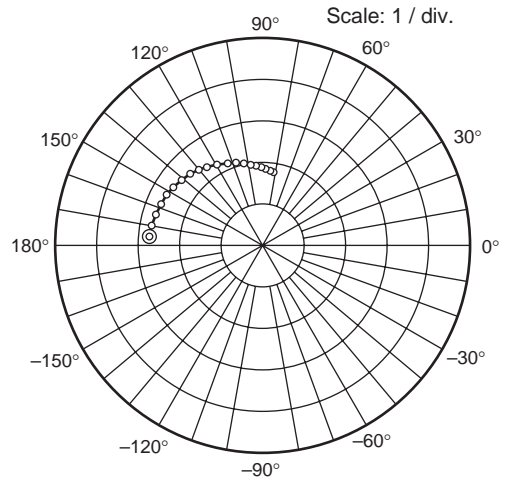
S11 Parameter vs. Frequency



Test Condition : $V_{DS} = 5\text{ V}$, $V_{G1} = 5\text{ V}$
 $V_{G2S} = 4\text{ V}$, $R_G = 82\text{ k}\Omega$
 50 to 1000 MHz (50 MHz step)



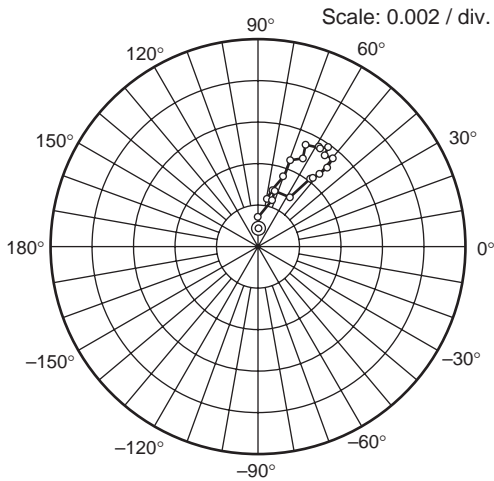
S21 Parameter vs. Frequency



Test Condition : $V_{DS} = 5\text{ V}$, $V_{G1} = 5\text{ V}$
 $V_{G2S} = 4\text{ V}$, $R_G = 82\text{ k}\Omega$
 50 to 1000 MHz (50 MHz step)



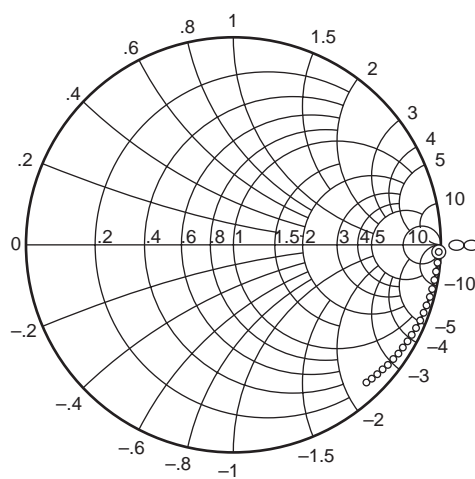
S12 Parameter vs. Frequency



Test Condition : $V_{DS} = 5\text{ V}$, $V_{G1} = 5\text{ V}$
 $V_{G2S} = 4\text{ V}$, $R_G = 82\text{ k}\Omega$
 50 to 1000 MHz (50 MHz step)



S22 Parameter vs. Frequency



Test Condition : $V_{DS} = 5\text{ V}$, $V_{G1} = 5\text{ V}$
 $V_{G2S} = 4\text{ V}$, $R_G = 82\text{ k}\Omega$
 50 to 1000 MHz (50 MHz step)

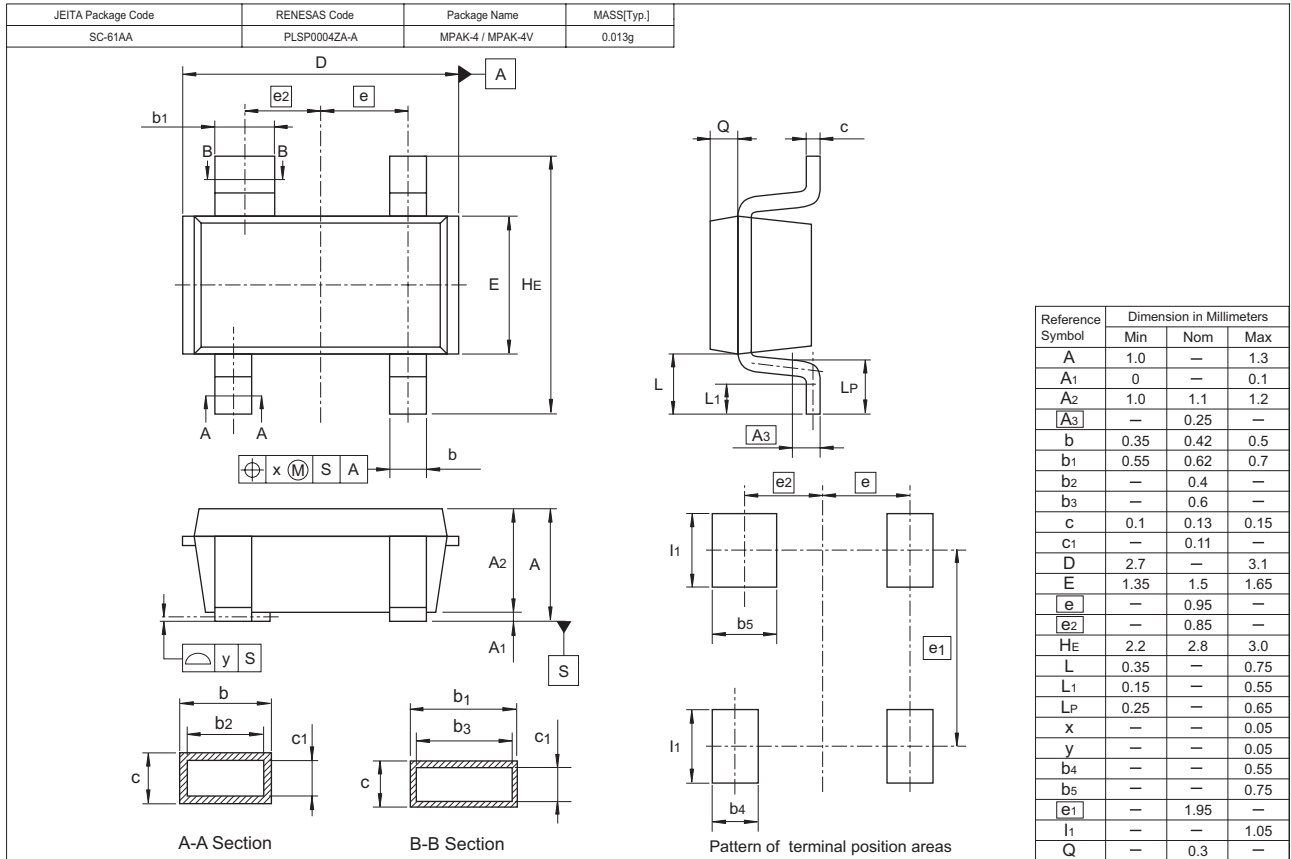


S Parameter

 $(V_{DS} = V_{G1} = 5V, V_{G2S} = 4V, R_G = 82k\Omega, Z_0 = 50\Omega)$

f (MHz)	S11		S21		S12		S22	
	MAG.	ANG.	MAG.	ANG.	MAG.	ANG.	MAG.	ANG.
50	0.991	-4.8	2.69	174.9	0.00090	91.4	0.991	-2.2
100	0.991	-9.9	2.68	169.3	0.00153	90.5	0.992	-4.8
150	0.982	-15.4	2.66	163.4	0.00243	73.8	0.991	-7.5
200	0.975	-20.7	2.62	157.5	0.00293	74.9	0.989	-9.9
250	0.972	-25.6	2.60	152.0	0.00370	70.1	0.985	-12.6
300	0.956	-30.6	2.54	146.3	0.00444	69.0	0.981	-15.0
350	0.942	-35.5	2.47	140.9	0.00478	63.7	0.977	-17.3
400	0.928	-40.1	2.42	135.7	0.00535	64.8	0.973	-19.7
450	0.920	-44.9	2.38	130.5	0.00551	56.8	0.967	-22.0
500	0.906	-49.2	2.32	125.7	0.00549	58.6	0.962	-24.5
550	0.894	-53.6	2.25	120.8	0.00584	54.4	0.957	-26.9
600	0.880	-57.8	2.18	116.2	0.00542	53.3	0.952	-29.2
650	0.868	-62.1	2.12	111.5	0.00562	49.5	0.944	-31.5
700	0.854	-66.2	2.06	106.8	0.00509	48.6	0.939	-33.8
750	0.842	-70.3	2.00	102.5	0.00465	49.7	0.933	-36.1
800	0.835	-73.9	1.94	98.4	0.00427	51.6	0.927	-38.3
850	0.820	-77.7	1.89	94.0	0.00416	53.3	0.921	-40.5
900	0.802	-81.5	1.83	89.6	0.00289	57.9	0.915	-42.7
950	0.801	-84.7	1.78	85.6	0.00288	72.9	0.909	-44.9
1000	0.789	-87.9	1.73	82.1	0.00241	78.9	0.904	-47.1

Package Dimensions



Ordering Information

Part Name	Quantity	Shipping Container
BB305MEW-TL-E	3000	φ 178 mm Reel, 8 mm Emboss Taping

Note: For some grades, production may be terminated. Please contact the Renesas sales office to check the state of production before ordering the product.

Renesas Technology Corp. Sales Strategic Planning Div. Nippon Bldg., 2-6-2, Ohte-machi, Chiyoda-ku, Tokyo 100-0004, Japan

Keep safety first in your circuit designs!

1. Renesas Technology Corp. puts the maximum effort into making semiconductor products better and more reliable, but there is always the possibility that trouble may occur with them. Trouble with semiconductors may lead to personal injury, fire or property damage. Remember to give due consideration to safety when making your circuit designs, with appropriate measures such as (i) placement of substitutive, auxiliary circuits, (ii) use of nonflammable material or (iii) prevention against any malfunction or mishap.

Notes regarding these materials

1. These materials are intended as a reference to assist our customers in the selection of the Renesas Technology Corp. product best suited to the customer's application; they do not convey any license under any intellectual property rights, or any other rights, belonging to Renesas Technology Corp. or a third party.
2. Renesas Technology Corp. assumes no responsibility for any damage, or infringement of any third-party's rights, originating in the use of any product data, diagrams, charts, programs, algorithms, or circuit application examples contained in these materials.
3. All information contained in these materials, including product data, diagrams, charts, programs and algorithms represents information on products at the time of publication of these materials, and are subject to change by Renesas Technology Corp. without notice due to product improvements or other reasons. It is therefore recommended that customers contact Renesas Technology Corp. or an authorized Renesas Technology Corp. product distributor for the latest product information before purchasing a product listed herein.
The information described here may contain technical inaccuracies or typographical errors.
Renesas Technology Corp. assumes no responsibility for any damage, liability, or other loss rising from these inaccuracies or errors.
Please also pay attention to information published by Renesas Technology Corp. by various means, including the Renesas Technology Corp. Semiconductor home page (<http://www.renesas.com>).
4. When using any or all of the information contained in these materials, including product data, diagrams, charts, programs, and algorithms, please be sure to evaluate all information as a total system before making a final decision on the applicability of the information and products. Renesas Technology Corp. assumes no responsibility for any damage, liability or other loss resulting from the information contained herein.
5. Renesas Technology Corp. semiconductors are not designed or manufactured for use in a device or system that is used under circumstances in which human life is potentially at stake. Please contact Renesas Technology Corp. or an authorized Renesas Technology Corp. product distributor when considering the use of a product contained herein for any specific purposes, such as apparatus or systems for transportation, vehicular, medical, aerospace, nuclear, or undersea repeater use.
6. The prior written approval of Renesas Technology Corp. is necessary to reprint or reproduce in whole or in part these materials.
7. If these products or technologies are subject to the Japanese export control restrictions, they must be exported under a license from the Japanese government and cannot be imported into a country other than the approved destination.
Any diversion or reexport contrary to the export control laws and regulations of Japan and/or the country of destination is prohibited.
8. Please contact Renesas Technology Corp. for further details on these materials or the products contained therein.



RENESAS SALES OFFICES

<http://www.renesas.com>

Refer to "<http://www.renesas.com/en/network>" for the latest and detailed information.

Renesas Technology America, Inc.

450 Holger Way, San Jose, CA 95134-1368, U.S.A
Tel: <1> (408) 382-7500, Fax: <1> (408) 382-7501

Renesas Technology Europe Limited

Dukes Meadow, Millboard Road, Bourne End, Buckinghamshire, SL8 5FH, U.K.
Tel: <44> (1628) 585-100, Fax: <44> (1628) 585-900

Renesas Technology Hong Kong Ltd.

7th Floor, North Tower, World Finance Centre, Harbour City, 1 Canton Road, Tsimshatsui, Kowloon, Hong Kong
Tel: <852> 2265-6688, Fax: <852> 2730-6071

Renesas Technology Taiwan Co., Ltd.

10th Floor, No.99, Fushing North Road, Taipei, Taiwan
Tel: <886> (2) 2715-2888, Fax: <886> (2) 2713-2999

Renesas Technology (Shanghai) Co., Ltd.

Unit2607 Ruijing Building, No.205 Maoming Road (S), Shanghai 200020, China
Tel: <86> (21) 6472-1001, Fax: <86> (21) 6415-2952

Renesas Technology Singapore Pte. Ltd.

1 Harbour Front Avenue, #06-10, Keppel Bay Tower, Singapore 098632
Tel: <65> 6213-0200, Fax: <65> 6278-8001

Renesas Technology Korea Co., Ltd.

Kukje Center Bldg. 18th Fl., 191, 2-ka, Hangang-ro, Yongsan-ku, Seoul 140-702, Korea
Tel: <82> 2-796-3115, Fax: <82> 2-796-2145

Renesas Technology Malaysia Sdn. Bhd.

Unit 906, Block B, Menara Amcorp, Amcorp Trade Centre, No.18, Jalan Persiaran Barat, 46050 Petaling Jaya, Selangor Darul Ehsan, Malaysia
Tel: <603> 7955-9390, Fax: <603> 7955-9510