

SMD Type Crystal Resonators

DSX530GA



Actual size

■ Features

- SMD crystal resonator with size 5032 and thickness 1.0mm. Miniature and thin.
- High precision and reliability with excellent heat resistance.
- Frequency range of 7MHz to 40MHz.
- Suitable for various applications, particularly PDA, digital AV equipment and car navigation systems.

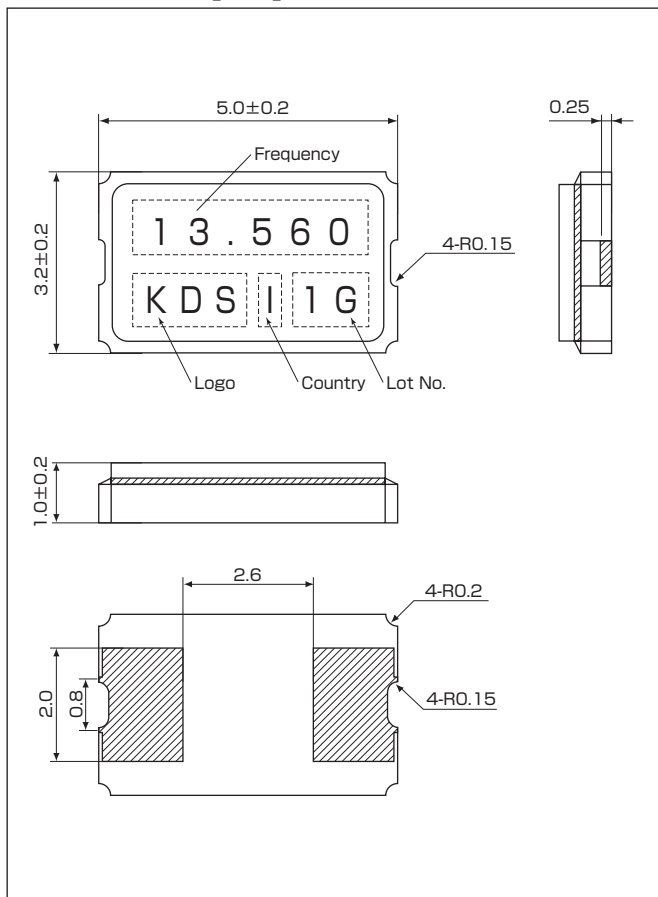
■ Generic Specification

Item	Type	DSX530GA		
Frequency Range		7~9MHz	9~12MHz	12~40MHz
Vibration Mode		Fundamental		
Load Capacitance		Series, 8pF, 10pF, 12pF		
Drive Level		10μW (300μW max.)		
Frequency Tolerance		±30×10 ⁻⁶ , ±50×10 ⁻⁶ , ±100×10 ⁻⁶ (at 25°C)		
Series Resistance		150Ω max.	100Ω max.	50Ω max.
Frequency Characteristics over Temperature		±30×10 ⁻⁶ / -10~60°C (Ref. to 25°C)		
		±50×10 ⁻⁶ / -20~60°C (Ref. to 25°C)		
		±100×10 ⁻⁶ / -10~60°C (Ref. to 25°C)		
Storage Temperature Range		-40~85°C		

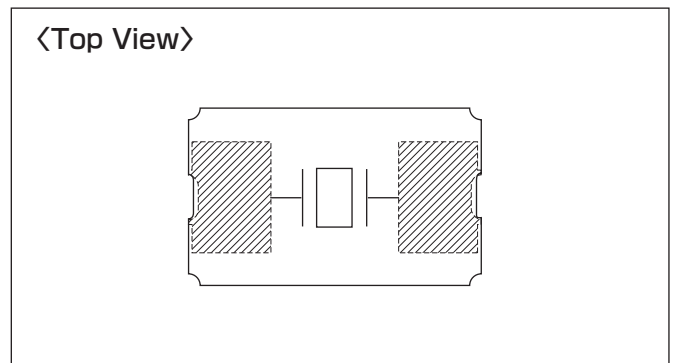
Packing Unit : 1000pcs./reel (φ 180)

Consult our sales representative for other specifications.

■ Dimensions [mm]



■ Internal Connections



■ Recommended Land Pattern [mm]

