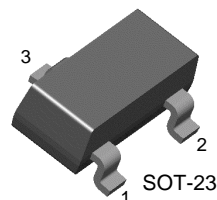


MMBT3646

Switching Transistor



1. Base 2. Emitter 3. Collector

Absolute Maximum Ratings $T_C=25^\circ\text{C}$ unless otherwise noted

Symbol	Parameter	Value	Units
V_{CEO}	Collector-Emitter Voltage	15	V
V_{CES}	Collector-Emitter Voltage	40	V
V_{CBO}	Collector-Base Voltage	40	V
V_{EBO}	Emitter-Base Voltage	5	
I_C	Collector Current (DC) - Continuous	300	mA
P_D	Total Device Dissipation @ $T_A=25^\circ\text{C}$ - Derate above 25°C	625 5	mW mW/ $^\circ\text{C}$
T_J, T_{STG}	Operating and Storage Junction Temperature Range	150	$^\circ\text{C}$

Electrical Characteristics $T_C=25^\circ\text{C}$ unless otherwise noted

Symbol	Parameter	Min.	Typ.	Max.	Units
Off Characteristics					
$V_{(BR)CES}$	Collector-Emitter Breakdown Voltage ($I_C = 100\mu\text{Adc}$, $V_{BE} = 0$)	40			V
$V_{CEO(sus)}$	Collector-Emitter Sustaining Voltage (1) ($I_C = 10\text{mAdc}$, $I_B = 0$)	15			V
$V_{(BR)CBO}$	Collector-Base Breakdown Voltage ($I_C = 100\mu\text{Adc}$, $I_E = 0$)	40			V
$V_{(BR)EBO}$	Emitter-Base Breakdown Voltage ($I_E = 100\mu\text{Adc}$, $I_C = 0$)	5			V
I_{CES}	Collector Cut-off Current ($V_{CE} = 20\text{Vdc}$, $V_{BE} = 0$) ($V_{CE} = 20\text{Vdc}$, $V_{BE} = 0$, $T_A = 65^\circ\text{C}$)			0.5 3	μA
On Characteristics (1)					
h_{FE}	DC Current Gain ($I_C = 30\text{mAdc}$, $V_{CE} = 0.4\text{Vdc}$) ($I_C = 100\text{mAdc}$, $V_{CE} = 0.5\text{Vdc}$) ($I_C = 300\text{mAdc}$, $V_{CE} = 1\text{Vdc}$)	30 25 15		120	
$V_{CE(sat)}$	Collector-Emitter Saturation Voltage ($I_C = 30\text{mAdc}$, $I_B = 3\text{mAdc}$) ($I_C = 100\text{mAdc}$, $I_B = 10\text{mAdc}$) ($I_C = 300\text{mAdc}$, $I_B = 30\text{mAdc}$) ($I_C = 30\text{mA}$, $I_B = 3\text{mA}$, $T_A = 65^\circ\text{C}$)			0.2 0.28 0.5 0.3	V
$V_{BE(sat)}$	Base-Emitter Saturation Voltage ($I_C = 30\text{mAdc}$, $I_B = 3\text{mAdc}$) ($I_C = 100\text{mAdc}$, $I_B = 10\text{mAdc}$) ($I_C = 300\text{mAdc}$, $I_B = 30\text{mAdc}$)	0.73		0.95 1.2 1.7	V

Electrical Characteristics $T_C=25^\circ\text{C}$ unless otherwise noted) (Continued)

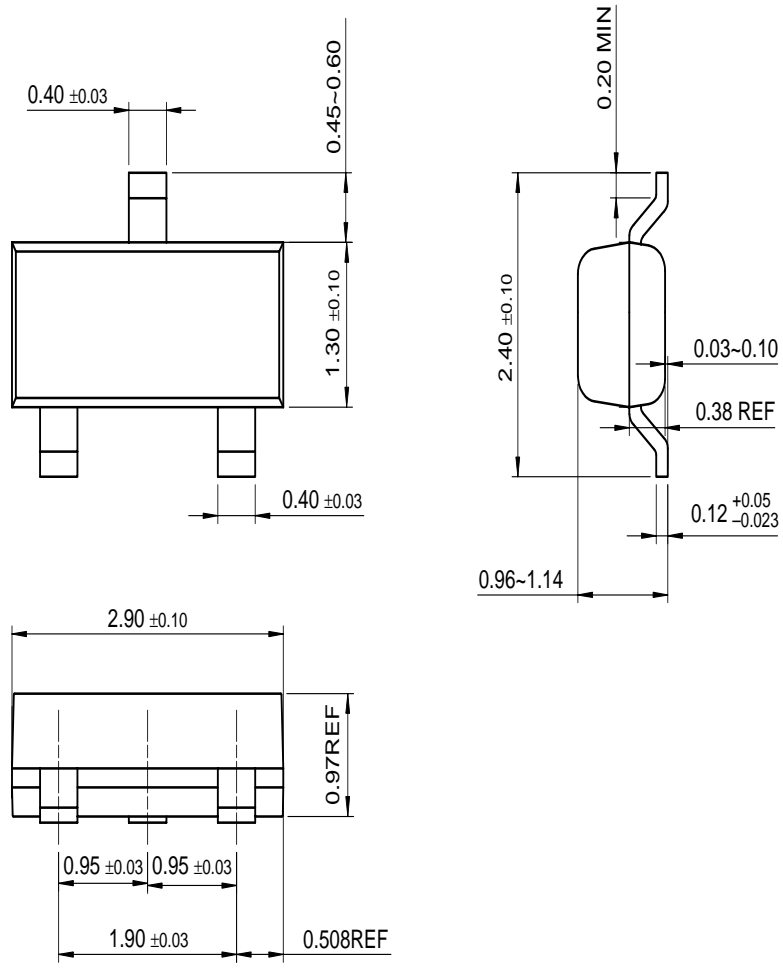
Symbol	Parameter	Min.	Typ.	Max.	Units
Small-Signal Characteristics					
C_{obo}	Output Capacitance ($V_{CE} = 5\text{Vdc}$, $I_E = 0$, $f = 1\text{MHz}$)			5	pF
C_{ibo}	Input Capacitance ($V_{EB} = 0.5\text{Vdc}$, $I_C = 0$, $f = 1\text{MHz}$)			8	pF
Switching Characteristics					
t_{on}	Turn-On Time	$V_{CC} = 10\text{Vdc}$, $I_C = 300\text{mAdc}$, $I_{B1} = 30\text{mAdc}$, $V_{CE(off)} = 3\text{V}$		18	ns
t_d	Delay Time			10	ns
t_r	Rise Time			15	ns
t_{off}	Turn-Off Time	$V_{CC} = 10\text{Vdc}$, $I_C = 300\text{mAdc}$, $I_{B1} = I_{B2} = 30\text{mAdc}$		28	ns
t_f	Fall Time			15	ns
t_s	Storage Time			20	ns

Thermal Characteristics

Symbol	Parameter	Min.	Typ.	Max.	Units
$R_{\theta JA}$	Thermal Resistance, Junction to Ambient			200	$^\circ\text{C}$
$R_{\theta JC}$	Thermal Resistance, Junction to Case			83.3	$^\circ\text{C}$

Package Dimensions

SOT-23



Dimensions in Millimeters

TRADEMARKS

The following are registered and unregistered trademarks Fairchild Semiconductor owns or is authorized to use and is not intended to be an exhaustive list of all such trademarks.

ACE [™]	FACT [™]	ImpliedDisconnect [™]	PACMAN [™]	SPM [™]
ActiveArray [™]	FACT Quiet series [™]	ISOPLANAR [™]	POP [™]	Stealth [™]
Bottomless [™]	FAST [®]	LittleFET [™]	Power247 [™]	SuperSOT [™] -3
CoolFET [™]	FAST [™]	MicroFET [™]	PowerTrench [®]	SuperSOT [™] -6
CROSSVOLT [™]	FRFET [™]	MicroPak [™]	QFET [™]	SuperSOT [™] -8
DOMET [™]	GlobalOptoisolator [™]	MICROWIRE [™]	QS [™]	SyncFET [™]
EcoSPARK [™]	GTO [™]	MSX [™]	QT Optoelectronics [™]	TinyLogic [™]
E ² CMOS [™]	HiSeC [™]	MSXPro [™]	Quiet Series [™]	TruTranslation [™]
EnSigna [™]	I ² C [™]	OCX [™]	RapidConfigure [™]	UHC [™]
Across the board. Around the world. [™]		OCXPro [™]	RapidConnect [™]	UltraFET [®]
The Power Franchise [™]		OPTOLOGIC [®]	SILENT SWITCHER [®]	VCX [™]
Programmable Active Droop [™]		OPTOPLANAR [™]	SMART START [™]	

DISCLAIMER

FAIRCHILD SEMICONDUCTOR RESERVES THE RIGHT TO MAKE CHANGES WITHOUT FURTHER NOTICE TO ANY PRODUCTS HEREIN TO IMPROVE RELIABILITY, FUNCTION OR DESIGN. FAIRCHILD DOES NOT ASSUME ANY LIABILITY ARISING OUT OF THE APPLICATION OR USE OF ANY PRODUCT OR CIRCUIT DESCRIBED HEREIN; NEITHER DOES IT CONVEY ANY LICENSE UNDER ITS PATENT RIGHTS, NOR THE RIGHTS OF OTHERS.

LIFE SUPPORT POLICY

FAIRCHILD'S PRODUCTS ARE NOT AUTHORIZED FOR USE AS CRITICAL COMPONENTS IN LIFE SUPPORT DEVICES OR SYSTEMS WITHOUT THE EXPRESS WRITTEN APPROVAL OF FAIRCHILD SEMICONDUCTOR CORPORATION.

As used herein:

1. Life support devices or systems are devices or systems which, (a) are intended for surgical implant into the body, or (b) support or sustain life, or (c) whose failure to perform when properly used in accordance with instructions for use provided in the labeling, can be reasonably expected to result in significant injury to the user.
2. A critical component is any component of a life support device or system whose failure to perform can be reasonably expected to cause the failure of the life support device or system, or to affect its safety or effectiveness.

PRODUCT STATUS DEFINITIONS

Definition of Terms

Datasheet Identification	Product Status	Definition
Advance Information	Formative or In Design	This datasheet contains the design specifications for product development. Specifications may change in any manner without notice.
Preliminary	First Production	This datasheet contains preliminary data, and supplementary data will be published at a later date. Fairchild Semiconductor reserves the right to make changes at any time without notice in order to improve design.
No Identification Needed	Full Production	This datasheet contains final specifications. Fairchild Semiconductor reserves the right to make changes at any time without notice in order to improve design.
Obsolete	Not In Production	This datasheet contains specifications on a product that has been discontinued by Fairchild semiconductor. The datasheet is printed for reference information only.