

# LF 2012 Series

## Multilayer Chip Low-Pass Filters

### Features

- ❖ Monolithic structure replacing two inductors and five capacitors.

### Applications

- ❖ 0.8-6GHz wireless communication systems, including DECT / PACS / PHS / GSM / DCS / PCS phones, WLAN card, Bluetooth modules, etc.



### Specifications

Part Number	Frequency Range (MHz)	Insertion Loss @ BW (dB)	Attn. I @ 2 x f <sub>o</sub> (dB)	Attn. II @ 3 x f <sub>o</sub> (dB)	Attn. III @ 4 x f <sub>o</sub> (dB)	VSWR @ BW	Q'ty/ Reel (pcs)
<b>LF2012-B2R4FAA</b>	2400~2500	0.5 max.	27 min.	25 min.	25 min	1.8 max.	4,000

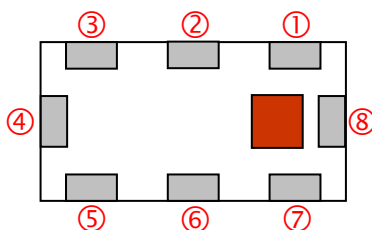
Operating Temperature Range : -40 ~ +85 °C  
 Storage Temperature Range : +5 ~ +35 °C, Humidity 45~75%RH  
 Storage Period : 12 months max.  
 Power Capacity : 1W max.

### Part Number

**LF**   **2012**   -   **B**   **2R4**   **FAA**   **□**   **/LF**  
 ①   ②   ③   ④   ⑤   ⑥   ⑦

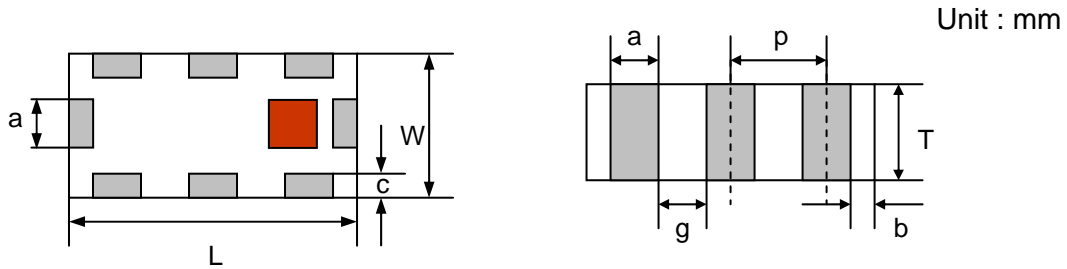
① Type	LF : Low Pass Filter	② Dimensions ( L x W )	2.0 x 1.2 mm
③ Material Code	B	④ Frequency Range	2R4=2400MHz
⑤ Specification Code	FAA	⑥ Packaging	T: Tape & Reel B: Bulk
⑦ Soldering	=lead-containing /LF=lead-free		

### Terminal Configuration

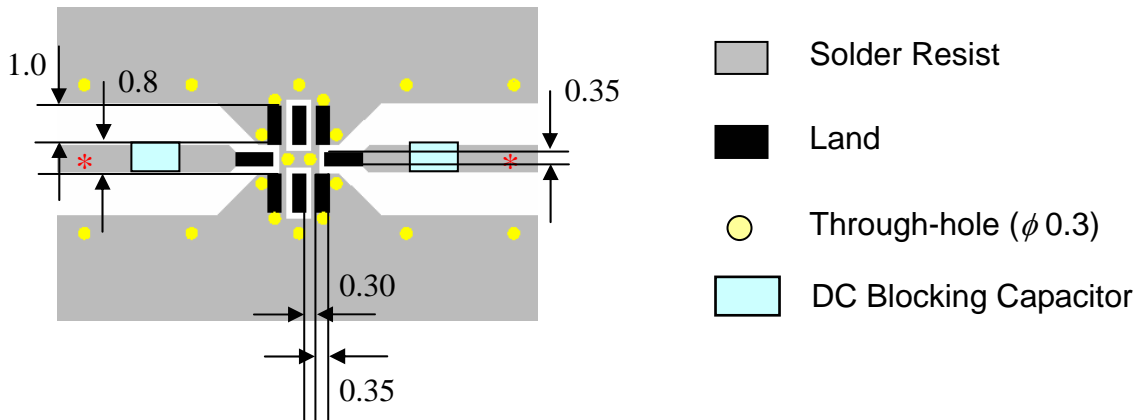


No.	Terminal Name	No.	Terminal Name
①	GND	⑤	GND
②	NC	⑥	NC
③	GND	⑦	GND
④	OUT	⑧	IN

## Dimensions and Recommended PC Board Pattern



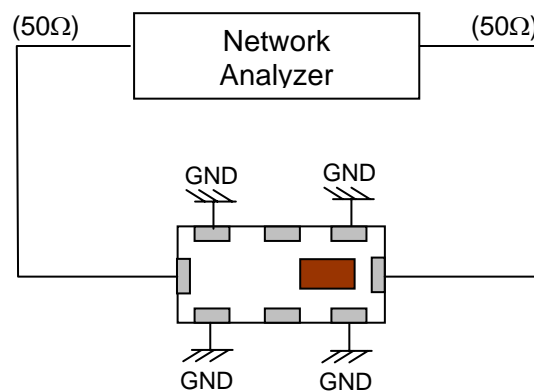
Mark	L	W	T	a	b	c	g	p
Dimensions	2.0 ± 0.1	1.25 ± 0.1	0.95 ± 0.1	0.3 ± 0.1	0.2 ± 0.1	0.3+0.1 /-0.2	0.35 ± 0.1	0.65 ± 0.05



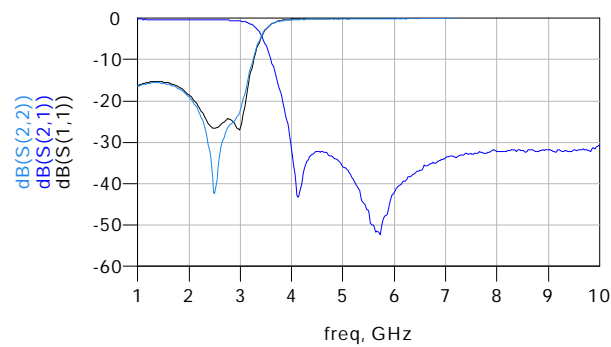
\* Line width should be designed to match 50 Ω characteristic impedance, depending on PCB material and thickness.

\* DC Blocking capacitor is connected in series at each In/Out Port.

## Measuring Diagram



## Typical Electrical Characteristics(T=25°C)



## Notes

- ❖ The contents of this data sheet are subject to change without notice. Please confirm the specifications and delivery conditions when placing your order.

### **Advanced Ceramic X Corp.**

16 Tzu Chiang Road, Hsinchu Industrial District Hsinchu Hsien 303, Taiwan

TEL:886-3-5987008 FAX:886-3-5987001

E-mail: [acx@acxc.com.tw](mailto:acx@acxc.com.tw)

<http://www.acxc.com.tw>