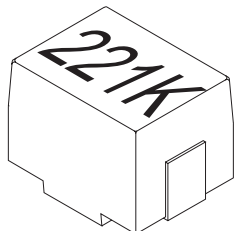




Surface Mount Inductors · Chip Inductors

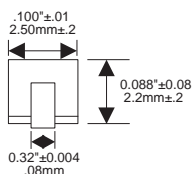
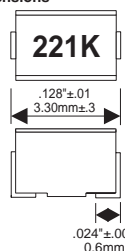
CM322522 Series

General Specifications

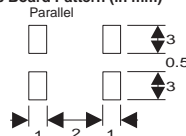


Temp Rise: 20°C Max
 Ambient Temp: 80°C Max
 Storage Temp: -40°C to + 100°C
 Operating Temp: -20°C to + 100°C
 Terminal Strength: 0.5 KG Min
 Current Rating: Based on current flow and temperature rise of 20°C maximum.
 Resistance to Solder Heat: 260°C, 10 Seconds
 Resistance to Solvent: Per MIL-STD-202

Dimensions



Pc Board Pattern (in mm)



CM322522 Series

UNIT: (m/m)

PART NUMBER	INDUCTANCE (uH)	Q MIN	TEST FREQ. (MHZ)	SRF MIN (MHZ)	DCR MAX (OHM)	IDC (mA)
CM322522-R12M	0.12 ± 20%	30	25.2	500	0.22	450
CM322522-R15M	0.15 ± 20%	30	25.2	450	0.25	450
CM322522-R18M	0.18 ± 20%	30	25.2	400	0.28	450
CM322522-R22M	0.22 ± 20%	30	25.2	350	0.32	450
CM322522-R27M	0.27 ± 20%	30	25.2	320	0.36	450
CM322522-R33M	0.33 ± 20%	30	25.2	300	0.40	450
CM322522-R39M	0.39 ± 20%	30	25.2	250	0.45	450
CM322522-R47M	0.47 ± 20%	30	25.2	220	0.50	450
CM322522-R56M	0.56 ± 20%	30	25.2	180	0.55	450
CM322522-R68M	0.68 ± 20%	30	25.2	160	0.60	450
CM322522-R82M	0.82 ± 20%	30	25.2	140	0.65	450
CM322522-1R0M	1.0 ± 20%	30	7.96	120	0.70	400
CM322522-1R2M	1.2 ± 20%	30	7.96	100	0.75	390
CM322522-1R5M	1.5 ± 20%	30	7.96	85	0.85	370
CM322522-1R8M	1.8 ± 20%	30	7.96	80	0.90	350
CM322522-2R2M	2.2 ± 20%	30	7.96	75	1.00	320
CM322522-2R7M	2.7 ± 20%	30	7.96	70	1.10	290
CM322522-3R3K	3.3 ± 10%	30	7.96	60	1.20	260
CM322522-3R9K	3.9 ± 10%	30	7.96	55	1.30	250
CM322522-4R7K	4.7 ± 10%	30	7.96	50	1.50	220
CM322522-5R6K	5.6 ± 10%	30	7.96	47	1.60	200
CM322522-6R8K	6.8 ± 10%	30	7.96	43	1.80	180
CM322522-8R2K	8.2 ± 10%	30	7.96	40	2.00	170
CM322522-100K	10.0 ± 10%	30	2.52	36	2.10	150
CM322522-120K	12.0 ± 10%	30	2.52	33	2.50	140
CM322522-150K	15.0 ± 10%	30	2.52	30	2.80	130
CM322522-180K	18.0 ± 10%	30	2.52	27	3.30	120
CM322522-220K	22.0 ± 10%	30	2.52	25	3.70	110
CM322522-270K	27.0 ± 10%	30	2.52	20	5.00	80
CM322522-330K	33.0 ± 10%	30	2.52	17	5.60	70
CM322522-390K	39.0 ± 10%	30	2.52	16	6.40	65
CM322522-470K	47.0 ± 10%	30	2.52	15	7.00	60
CM322522-560K	56.0 ± 10%	30	2.52	13	8.00	55
CM322522-680K	68.0 ± 10%	30	2.52	12	9.00	50
CM322522-820K	82.0 ± 10%	30	2.52	11	10.00	45
CM322522-101K	100 ± 10%	20	0.796	10	10.00	40
CM322522-121K	120 ± 10%	20	0.796	10	11.00	70
CM322522-151K	150 ± 10%	20	0.796	8	15.00	65
CM322522-181K	180 ± 10%	20	0.796	7	17.00	60
CM322522-221K	220 ± 10%	20	0.796	7	21.00	50

Specifications are subject to change without notice.

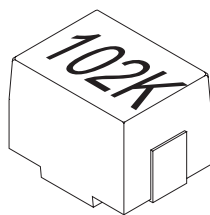


Surface Mount Inductors · Chip Inductors

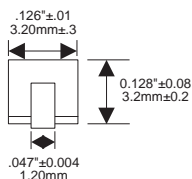
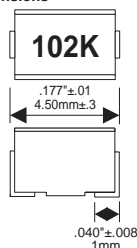
CM453232 Series

General Specifications

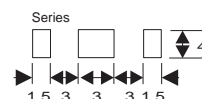
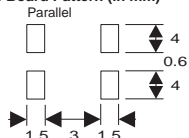
Temp Rise: 20°C Max
 Ambient Temp: 80°C Max
 Storage Temp: -40°C to + 100°C
 Operating Temp: -20°C to + 100°C
 Terminal Strength: 0.5 KG Min
 Current Rating: Based on current flow and temperature rise of 20°C maximum.
 Resistance to Solder Heat: 260°C, 10 Seconds
 Resistance to Solvent: Per MIL-STD-202



Dimensions



Pc Board Pattern (in mm)



CM453232 Series

UNIT: (m/m)

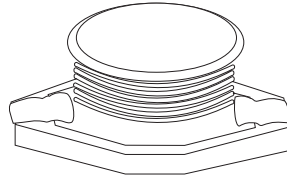
PART NUMBER	INDUCTANCE (uH)	Q MIN	TOLERANCE ±%	TEST FREQ. (MHz)	SRF (MHz) MIN.	DCR Ohms MAX.	IDC (mA)
CM453232-R10M	0.10	35	20	25.2	300	0.18	800
CM453232-R12M	0.12	35	20	25.2	280	0.20	770
CM453232-R15M	0.15	35	20	25.2	250	0.22	730
CM453232-R18M	0.18	35	20	25.2	220	0.24	700
CM453232-R22M	0.22	40	20	25.2	200	0.25	665
CM453232-R27M	0.27	40	20	25.2	180	0.26	635
CM453232-R33M	0.33	40	20	25.2	165	0.28	605
CM453232-R39M	0.39	40	20	25.2	150	0.30	575
CM453232-R47M	0.47	40	20	25.2	145	0.32	545
CM453232-R56M	0.56	40	20	25.2	140	0.36	520
CM453232-R68M	0.68	40	20	25.2	135	0.40	500
CM453232-R82M	0.82	40	20	25.2	130	0.45	475
CM453232-1R0K	1.0	50	10	7.96	100	0.50	450
CM453232-1R2K	1.2	50	10	7.96	80	0.55	430
CM453232-1R5K	1.5	50	10	7.96	70	0.60	410
CM453232-1R8K	1.8	50	10	7.96	60	0.65	390
CM453232-2R2K	2.2	50	10	7.96	55	0.70	380
CM453232-2R7K	2.7	50	10	7.96	50	0.75	370
CM453232-3R3K	3.3	50	10	7.96	45	0.80	355
CM453232-3R9K	3.9	50	10	7.96	40	0.90	330
CM453232-4R7K	4.7	50	10	7.96	35	1.00	315
CM453232-5R6K	5.6	50	10	7.96	33	1.10	300
CM453232-6R8K	6.8	50	10	7.96	27	1.20	285
CM453232-8R2K	8.2	50	10	7.96	25	1.40	270
CM453232-100K	10.0	50	10	2.52	20	1.60	250
CM453232-120K	12.0	50	10	2.52	18	2.00	225
CM453232-150K	15.0	50	10	2.52	17	2.50	200
CM453232-180K	18.0	50	10	2.52	15	2.80	190
CM453232-220K	22.0	50	10	2.52	13	3.20	180
CM453232-270K	27.0	50	10	2.52	12	3.60	170
CM453232-330K	33.0	50	10	2.52	11	4.00	160
CM453232-390K	39.0	50	10	2.52	10	4.50	150
CM453232-470K	47.0	50	10	2.52	10	5.00	140
CM453232-560K	56.0	50	10	2.52	9.0	5.50	135
CM453232-680K	68.0	50	10	2.52	9.0	6.00	130
CM453232-820K	82.0	50	10	2.52	8.0	7.00	120
CM453232-101K	100.0	40	10	0.796	8.0	8.00	110
CM453232-121K	120.0	40	10	0.796	6.0	8.00	110
CM453232-151K	150.0	40	10	0.796	5.0	9.00	105
CM453232-181K	180.0	40	10	0.796	5.0	9.50	102
CM453232-221K	220.0	40	10	0.796	4.0	10.0	100
CM453232-271K	270.0	40	10	0.796	4.0	12.0	92
CM453232-331K	330.0	40	10	0.796	3.5	14.0	85
CM453232-391K	390.0	40	10	0.796	3.0	18.0	80
CM453232-471K	470.0	40	10	0.796	3.0	26.0	62
CM453232-561K	560.0	30	10	0.796	3.0	30.0	50
CM453232-681K	680.0	30	10	0.796	3.0	30.0	50
CM453232-821K	820.0	30	10	0.796	2.5	35.0	30
CM453232-102K	1000.0	20	10	0.252	2.5	40.0	30

Specifications are subject to change without notice.



SMT Power Inductors

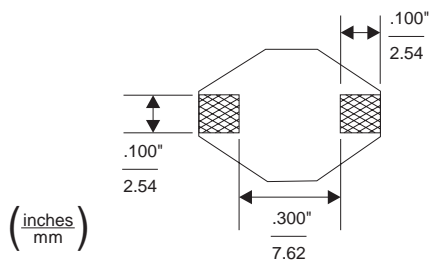
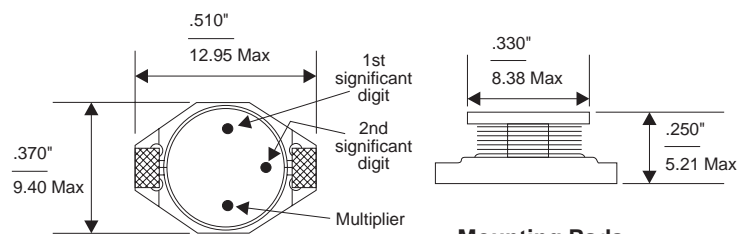
D310 Series



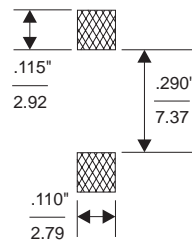
General Specifications

UNIT: (m/m)

PART NUMBER	INDUCTANCE ($\mu\text{H} \pm 20\%$)	DCR max. (Ω)	ISAT (A)	IRMS (A rms)
D310-1R0	1.0	.009	9.0	6.8
D310-1R5	1.5	.010	8.0	6.4
D310-2R2	2.2	.012	7.0	6.1
D310-3R3	3.3	.015	6.4	5.4
D310-4R7	4.7	.018	5.4	4.8
D310-6R8	6.8	.022	4.6	4.4
D310-100	10	.029	3.8	3.9
D310-150	15	.046	3.0	3.1
D310-220	22	.058	2.6	2.7
D310-330	33	.10	2.0	2.1
D310-470	47	.14	1.6	1.8
D310-680	68	.18	1.4	1.5
D310-101	100	.26	1.2	1.3
D310-151	150	.38	1.0	1.0
D310-221	220	.61	.8	.8
D310-331	330	.93	.6	.6
D310-471	470	1.27	.5	.5
D310-681	680	1.84	.4	.4
D310-102	1000	2.47	.3	.3



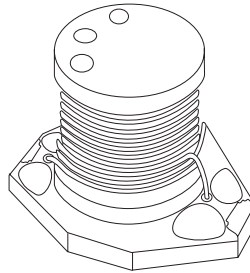
Mounting Pads





SMT Power Inductors

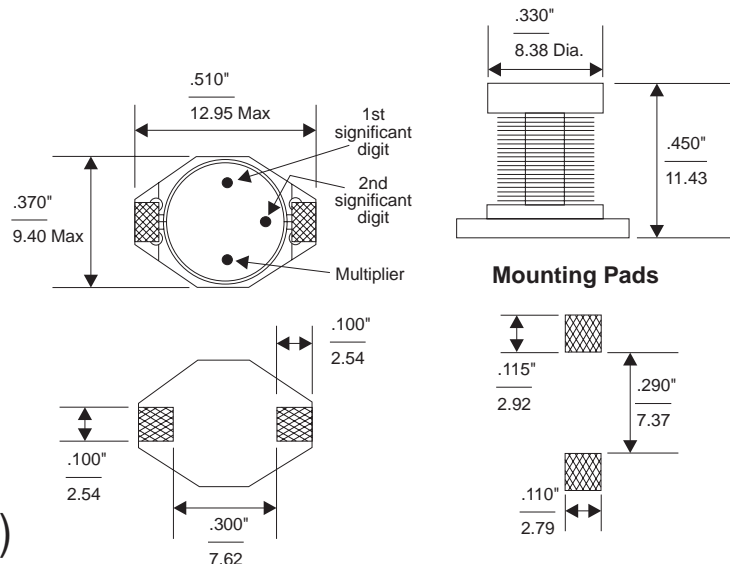
D315 Series



General Specifications

UNIT: (m/m)

PART NUMBER	INDUCTANCE (μH)	DCR max. (Ω)	ISAT (A)	IRMS (A rms)
D315-100	10	.033	8.0	3.5
D315-150	15	.042	7.0	3.0
D315-220	22	.054	5.5	2.5
D315-330	33	.080	4.0	2.0
D315-470	47	.10	3.8	1.6
D315-680	68	.17	3.0	1.2
D315-101	100	.22	2.5	1.2
D315-151	150	.34	2.0	.9
D315-221	220	.44	1.6	.7
D315-331	330	.70	1.2	.6
D315-471	470	.95	1.0	.3
D315-681	680	1.2	1.0	.2
D315-102	1000	2.0	.8	.1



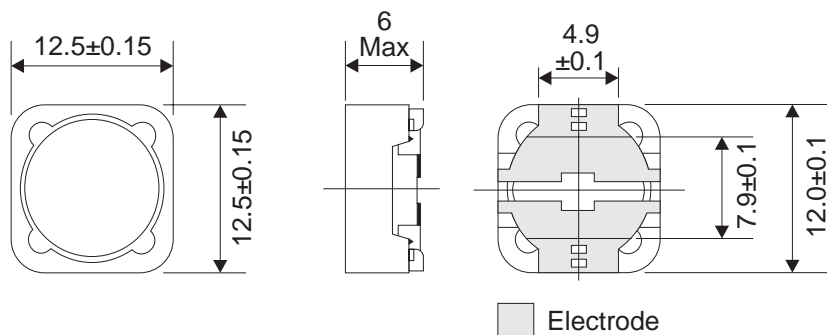


SMT Power Inductors

D330 Series

GENERAL CHARACTERISTICS

- Ideal for a variety of DC-DC converter inductor applications.
- Available on tape and reel for automatic insertion.
- Low DC resistance and large permissible DC current.
- This can be surface mount assembly and reflow soldering is also possible.



Electrical Specifications

UNIT: (m/m)

PART NUMBER	INDUCTANCE L (μ H) $\pm 20\%$	L TEST FREQUENCY (KHz)	DC RESISTANCE (Ω) MAX	RATED DC CURRENT (A) MAX
D330-100M	10	1	0.25	4.00
D330-120M	12	1	0.27	3.50
D330-150M	15	1	0.30	3.30
D330-180M	18	1	0.34	3.00
D330-220M	22	1	0.36	2.80
D330-270M	27	1	0.51	2.30
D330-330M	33	1	0.57	2.10
D330-390M	39	1	0.68	2.00
D330-470M	47	1	0.75	1.80
D330-560M	56	1	0.11	1.70
D330-680M	68	1	0.12	1.50
D330-820M	82	1	0.14	1.40
D330-101M	100	1	0.16	1.30
D330-121M	120	1	0.17	1.10
D330-151M	150	1	0.23	1.00
D330-181M	180	1	0.29	0.90
D330-221M	220	1	0.40	0.80
D330-271M	270	1	0.46	0.75
D330-331M	330	1	0.51	0.68
D330-391M	390	1	0.69	0.65
D330-471M	470	1	0.77	0.58
D330-561M	560	1	0.86	0.54
D330-681M	680	1	1.20	0.48
D330-821M	820	1	1.34	0.43
D330-102M	1000	1	1.53	0.40

*Maximum allowable current is DC current which causes 10% inductance reduction of the initial value, or coil temperature to rise by 40°C , whichever is smaller. (Reference ambient temperature 20°C)

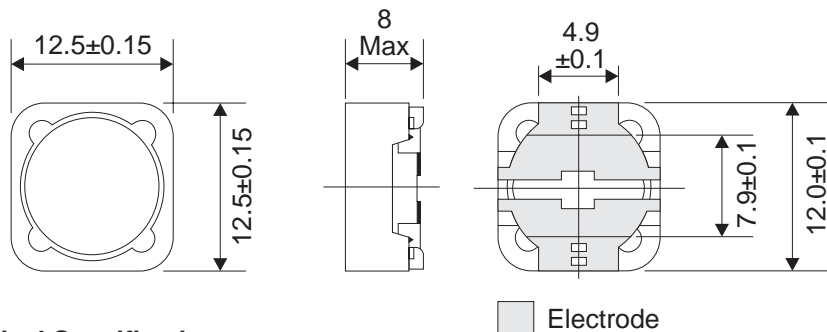


SMT Power Inductors

D335 Series

GENERAL CHARACTERISTICS

- Ideal for a variety of DC-DC converter inductor applications.
- Available on tape and reel for automatic insertion.
- Low DC resistance and large permissible DC current.
- This can be surface mount assembly and reflow soldering is also possible.



Electrical Specifications

UNIT: (m/m)

PART NUMBER	INDUCTANCE L (μH) ±20%	L TEST FREQUENCY (KHz)	DC RESISTANCE (Ω) MAX	RATED DC CURRENT (A) MAX
D335-1R2M	1.2	1	0.020	9.0
D335-1R5M	1.5	1	0.022	7.9
D335-2R2M	2.2	1	0.023	7.4
D335-3R3M	3.3	1	0.024	6.4
D335-4R7M	4.7	1	0.026	5.9
D335-5R6M	5.6	1	0.027	5.5
D335-6R8M	6.8	1	0.029	5.0
D335-8R2M	8.2	1	0.030	4.9
D335-100M	10.0	1	0.033	4.0
D335-120M	12.0	1	0.037	3.8
D335-150M	15.0	1	0.040	3.6
D335-180M	18.0	1	0.044	3.2
D335-220M	22.0	1	0.047	3.0
D335-270M	27.0	1	0.056	2.9
D335-330M	33.0	1	0.062	2.7
D335-390M	39.0	1	0.066	2.4
D335-470M	47.0	1	0.078	2.2
D335-560M	56.0	1	0.098	2.1
D335-680M	68.0	1	0.010	1.8
D335-820M	82.0	1	0.012	1.6
D335-101M	100.0	1	0.013	1.5
D335-121M	120.0	1	0.017	1.4
D335-151M	150.0	1	0.019	1.3
D335-181M	180.0	1	0.025	1.1
D335-221M	220.0	1	0.029	1.0
D335-271M	270.0	1	0.031	0.90
D335-331M	330.0	1	0.045	0.81
D335-391M	390.0	1	0.050	0.79
D335-471M	470.0	1	0.073	0.70
D335-561M	560.0	1	0.080	0.64
D335-681M	680.0	1	0.091	0.60
D335-821M	820.0	1	1.000	0.56
D335-102M	1000.0	1	1.350	0.49

*Maximum allowable current is DC current which causes 10% inductance reduction of the initial value, or coil temperature to rise by 40°C, whichever is smaller. (Reference ambient temperature 20°C)

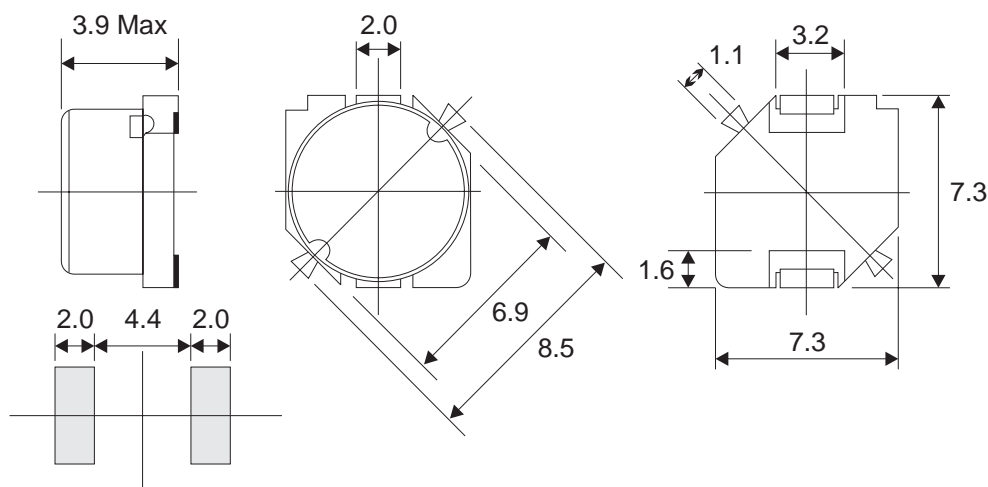


Surface Mount Inductors

D350 Series

Features

- Compact, low profile (7.3mm square, 3.9mm high)
- Suitable for reflow soldering.
- Available on tape and reel for auto insertion.
- Ideal for a variety of DC-DC converter inductor applications.



Electrical Specifications

UNIT: (m/m)

PART NUMBER	INDUCTANCE L (μ H) $\pm 20\%$	L TEST FREQUENCY (KHz)	DC RESISTANCE (Ω) MAX	RATED DC CURRENT (A) MAX
D350-3R3M	3.3	100	0.025	1.92
D350-4R7M	4.7	100	0.033	1.59
D350-6R8M	6.8	100	0.044	1.37
D350-100M	10.0	100	0.055	1.11
D350-150M	15.0	100	0.087	0.92
D350-220M	22.0	100	0.114	0.74
D350-330M	33.0	100	0.170	0.61
D350-470M	47.0	100	0.213	0.50
D350-680M	68.0	100	0.355	0.43
D350-101M	100.0	100	0.447	0.32
D350-151M	150.0	100	0.644	0.28
D350-221M	220.0	100	1.120	0.23
D350-331M	330.0	100	1.440	0.20
D350-471M	470.0	100	2.370	0.16

*Maximum allowable current is DC current which causes 10% inductance reduction of the initial value, or coil temperature to rise by 40°C, whichever is smaller. (Reference ambient temperature 20°C)

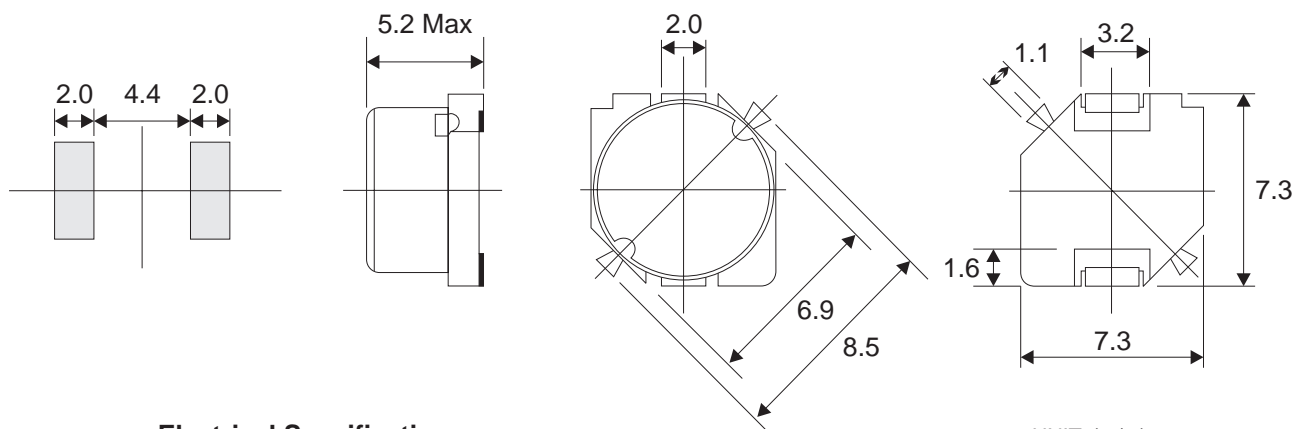


Surface Mount Inductors

D353 Series

Features

- Low profile (7.3mm square, 5.2mm high)
- Suitable for large current.
- Available in magnetically shielded or unshielded version.
- Available on tape and reel for automatic insertion.
- Ideal for a variety of DC-DC converter inductor applications.



Electrical Specifications

UNIT: (m/m)

PART NUMBER	INDUCTANCE L (μH) ±20%	L TEST FREQUENCY (KHz)	DC RESISTANCE (Ω) MAX	RATED DC CURRENT (A) MAX
D353-1R0M	1.0	100	0.020	2.80
D353-1R5M	1.5	100	0.024	2.59
D353-2R2M	2.2	100	0.028	2.38
D353-3R3M	3.3	100	0.034	2.14
D353-4R7M	4.7	100	0.039	1.96
D353-6R8M	6.8	100	0.050	1.79
D353-100M	10.0	100	0.055	1.63
D353-120M	12.0	100	0.073	1.42
D353-150M	15.0	100	0.081	1.33
D353-180M	18.0	100	0.102	1.15
D353-220M	22.0	100	0.115	1.09
D353-270M	27.0	100	0.159	0.91
D353-330M	33.0	100	0.182	0.84
D353-390M	39.0	100	0.199	0.80
D353-470M	47.0	100	0.221	0.75
D353-560M	56.0	100	0.306	0.64
D353-680M	68.0	100	0.345	0.60
D353-820M	82.0	100	0.390	0.57
D353-101M	100.0	100	0.432	0.50
D353-121M	120.0	100	0.440	0.47
D353-151M	150.0	100	0.730	0.40
D353-181M	180.0	100	0.780	0.39
D353-221M	220.0	100	0.940	0.33
D353-271M	270.0	100	1.250	0.31
D353-331M	330.0	100	1.400	0.27
D353-391M	390.0	100	1.520	0.27
D353-471M	470.0	100	1.700	0.25
D353-561M	560.0	100	2.390	0.22

*Maximum allowable current is DC current which causes 10% inductance reduction of the initial value, or coil temperature to rise by 40°C, whichever is smaller. (Reference ambient temperature 20°C)

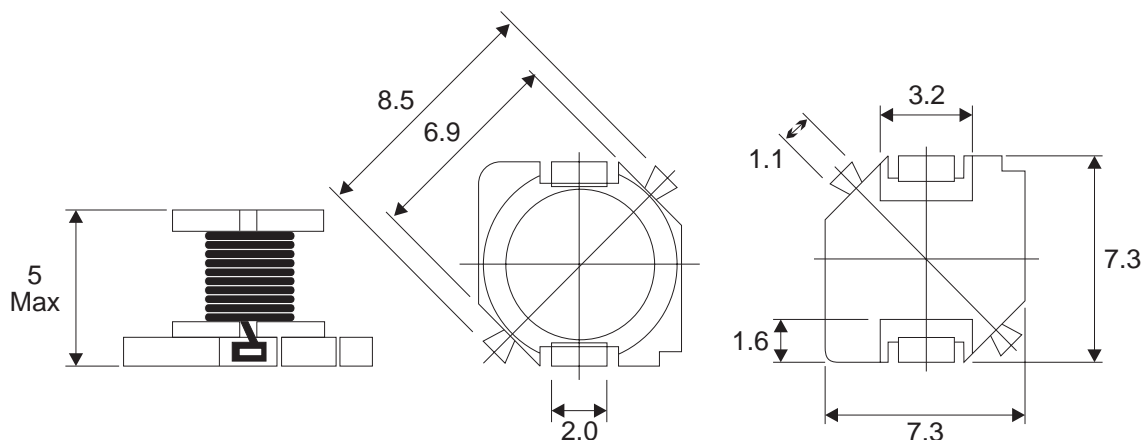


Surface Mount Inductors

D355 Series

Features

- Compact, low profile (7.3mm square, 5mm high)
- Suitable for reflow soldering.
- Available on tape and reel for automatic insertion.
- Ideal for a variety of DC-DC converter inductor applications.



Electrical Specifications

UNIT: (m/m)

PART NUMBER	INDUCTANCE L (μH) ±20%	L TEST FREQUENCY (KHz)	DC RESISTANCE (Ω) MAX	RATED DC CURRENT (A) MAX
D355-100K	10	100	0.120	1.50
D355-120K	12	100	0.130	1.44
D355-150K	15	100	0.150	1.36
D355-180K	18	100	0.160	1.30
D355-220K	22	100	0.190	1.23
D355-270K	27	100	0.210	1.11
D355-330K	33	100	0.240	1.00
D355-390K	39	100	0.270	0.93
D355-470K	47	100	0.390	0.85
D355-560K	56	100	0.450	0.75
D355-680K	68	100	0.500	0.70
D355-820K	82	100	0.560	0.65
D355-101K	100	100	1.000	0.52
D355-121K	120	100	1.050	0.50
D355-151K	150	100	1.200	0.45
D355-181K	180	100	1.350	0.40
D355-221K	220	100	1.520	0.38
D355-271K	270	100	1.720	0.35
D355-331K	330	100	2.700	0.30
D355-391K	390	100	2.960	0.28
D355-471K	470	100	3.360	0.26
D355-561K	560	100	3.790	0.24
D355-681K	680	100	4.330	0.21
D355-821K	820	100	5.260	0.19
D355-102K	1000	100	6.220	0.17

*Maximum allowable current is DC current which causes 10% inductance reduction of the initial value, or coil temperature to rise by 40°C, whichever is smaller. (Reference ambient temperature 20°C)