

EW-412, EW-512

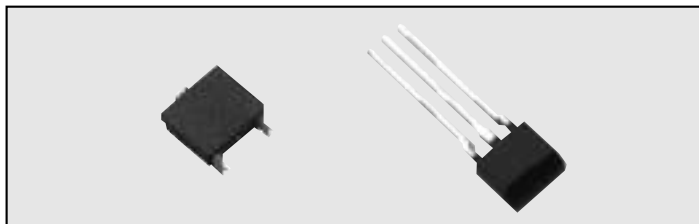
BIPOLAR HALL EFFECT LATCHES

ASAHI HALL EFFECT ICs

ASAHI KASEI ELECTRONICS Hall Effect ICs are composed of a Ultra-high sensitive InSb Hall element and a signal processing IC chip in a package. ASAHI KASEI ELECTRONICS Hall Effect ICs have high sensitivity and good stability.

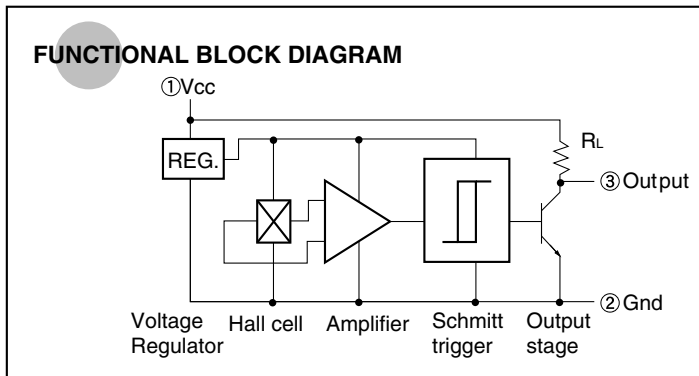
FEATURES

- High Sensitivity (Bop:1mT to 6mT)
- 4.5V to 18V Operation
- Highly Resistant to Mechanical Stress
- Stable Operation in Broad Temperature Range
- Compact Size
- With Load Resistance



APPLICATIONS

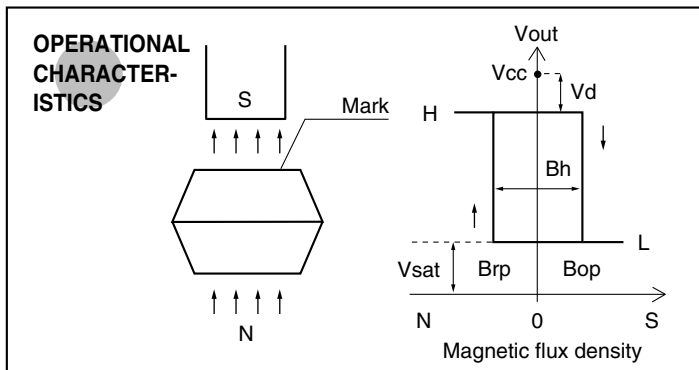
- Rotor Position Sensor for Precision Motors.
- Stroke Sensor
- Proximity Switch
- Encoder
- Current Switch etc.



ABSOLUTE MAXIMUM RATINGS(Ta=25°C)

Item	Symbol	Limit	Unit
Supply Voltage *1	Vcc	18	V
Output "OFF" Voltage	Vo(off)	18	V
Output "ON" Current	I sink	15	mA
Operating Temperature Range	Topr	-30~+115	°C
Storage Temperature Range	Tstg	-40~+125	°C

*1 :Please refer to(Fig.1) "DERATING CURVE"



ELECTRICAL CHARACTERISTICS(Ta=25°C, Vcc=4.5~18V DC.)

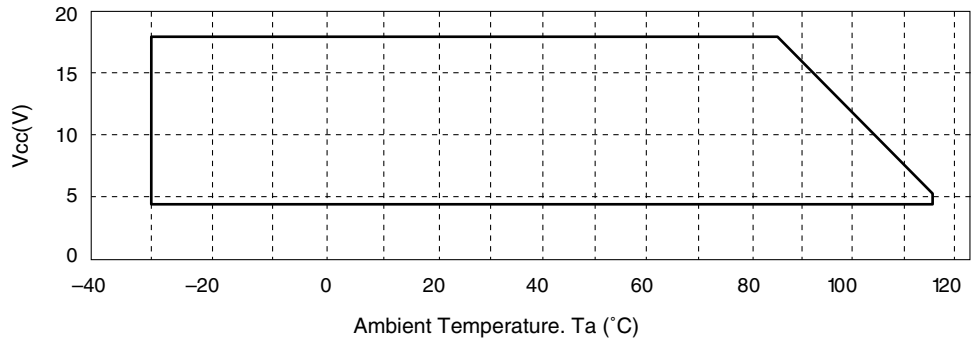
Item	Symbol	Conditions	Min.	Typ.	Max.	Unit
Operate Point	Bop	Vcc=12V	1		6	mT
Release Point	Brp	Vcc=12V	-6		-1	mT
Hysteresis	Bh		2			mT
Output Saturation Voltage	Vsat	Output"L", Vcc=12V			0.4	V
Supply Current	I cc	Output"H", Vcc=12V			8	mA
Internal Load Resistance	RL		7		13	KΩ
Output Down Voltage	Vd				20	mV

1mT=10Gauss

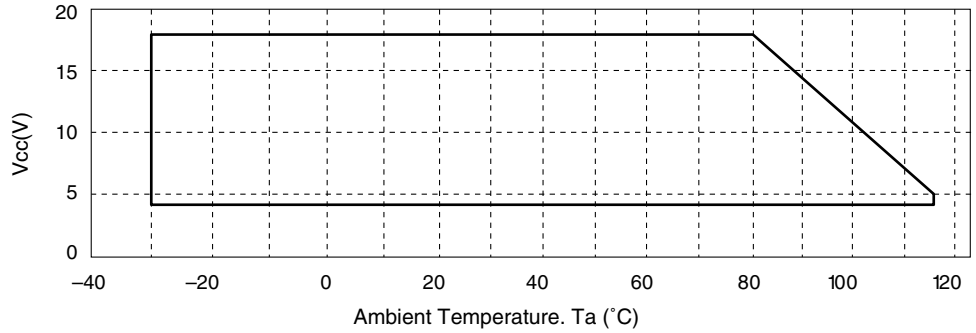
SUPPLY VOLTAGE DERATING CURVE

(Fig. 1)

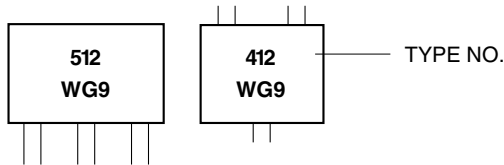
EW-512



EW-412

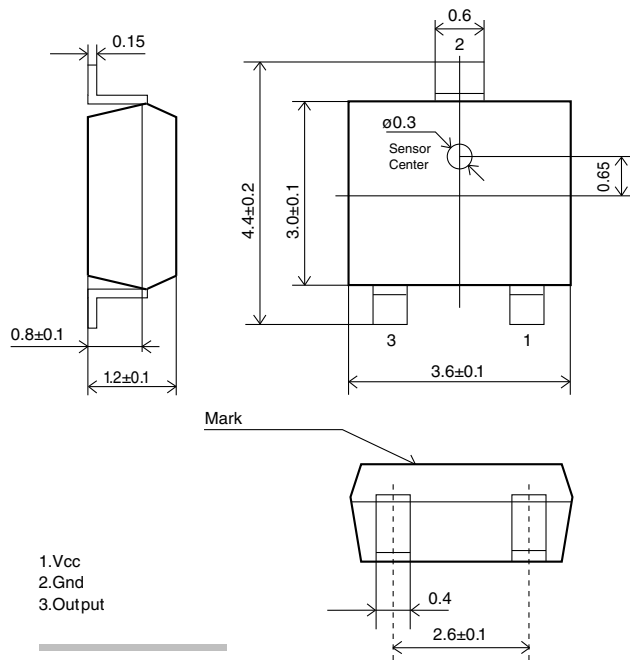


MARK AND SUPPLY STYLE



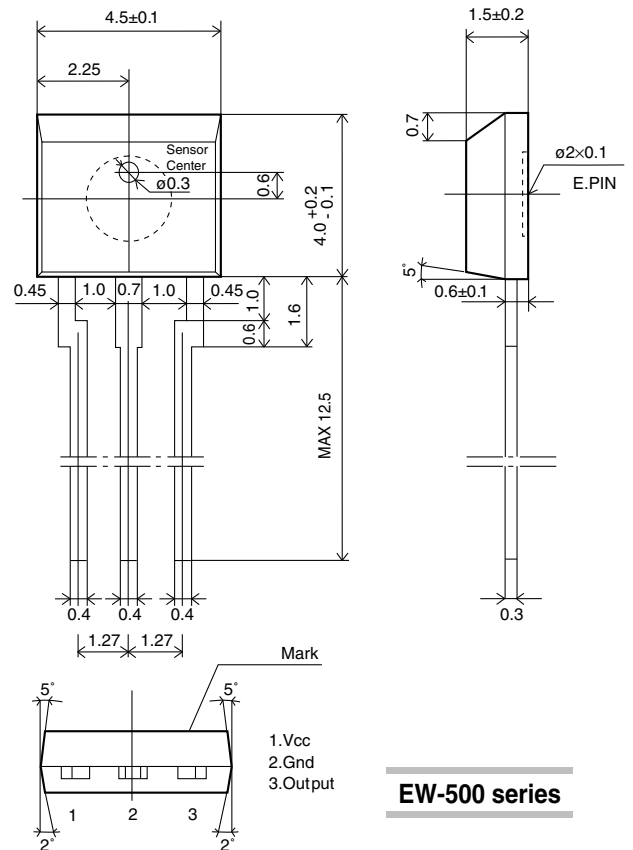
Supplied by
 EW-512:500pcs./Pack.
 EW-412:5000pcs./Reel

PACKAGE [Unit : mm]



- 1.Vcc
- 2.Gnd
- 3.Output

EW-400 series



- 1.Vcc
- 2.Gnd
- 3.Output

EW-500 series