





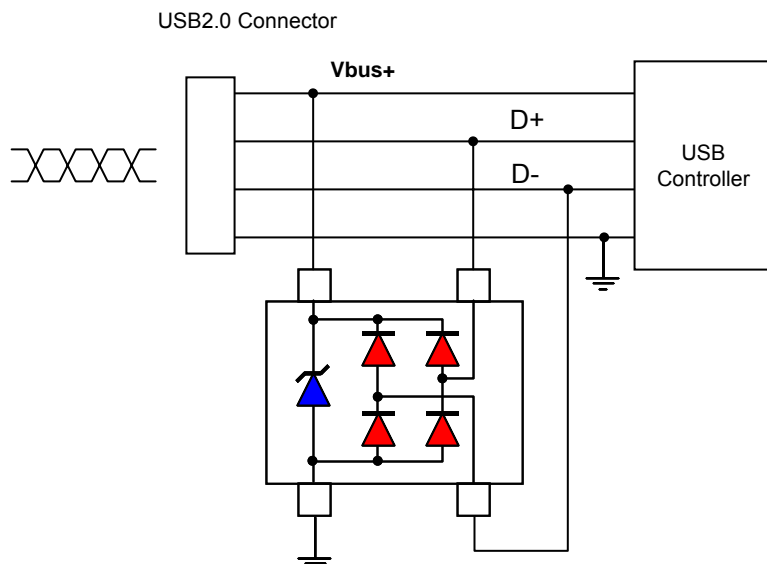
## PJSR05TB4 SERIES

### ELECTRICAL CHARACTERISTICS(T<sub>J</sub>=25°C) unless otherwise noted

PJSR05TB4 Marking R5						
Parameter	Symbol	Condition	Min.	Typ.	Max.	Units
Reverse Stand-Off Voltage	V <sub>RWM</sub>		-	-	5	V
Reverse Breakdown Voltage	V <sub>BR</sub>	I <sub>BR</sub> =1mA	6.2	-	-	V
Reverse Leakage Current	I <sub>R</sub>	V <sub>R</sub> =5V	-	-	1	μA
Clamping Voltage (8/20μs)	V <sub>C</sub>	I <sub>PP</sub> =1A	-	-	9	V
Clamping Voltage (8/20μs)	V <sub>C</sub>	I <sub>PP</sub> =5A	-	-	12	V
Off State Junction Capacitance	C <sub>J</sub>	0 Vdc Bias f=1MHz Between I/O pins and GND	-	0.9	1.2	pF
Off State Junction Capacitance	C <sub>J</sub>	0 Vdc Bias f=1MHz Between I/O pins	-	0.5	0.6	pF

PJSR12TB4 Marking R2						
Parameter	Symbol	Condition	Min.	Typ.	Max.	Units
Reverse Stand-Off Voltage	V <sub>RWM</sub>		-	-	12	V
Reverse Breakdown Voltage	V <sub>BR</sub>	I <sub>BR</sub> =1mA	13.3	-	-	V
Reverse Leakage Current	I <sub>R</sub>	V <sub>R</sub> =12V	-	-	1	μA
Clamping Voltage (8/20μs)	V <sub>C</sub>	I <sub>PP</sub> =1A	-	-	18	V
Clamping Voltage (8/20μs)	V <sub>C</sub>	I <sub>PP</sub> =5A	-	-	22	V
Off State Junction Capacitance	C <sub>J</sub>	0 Vdc Bias f=1MHz Between I/O pins and GND	-	0.9	1.2	pF
Off State Junction Capacitance	C <sub>J</sub>	0 Vdc Bias f=1MHz Between I/O pins	-	0.5	0.6	pF

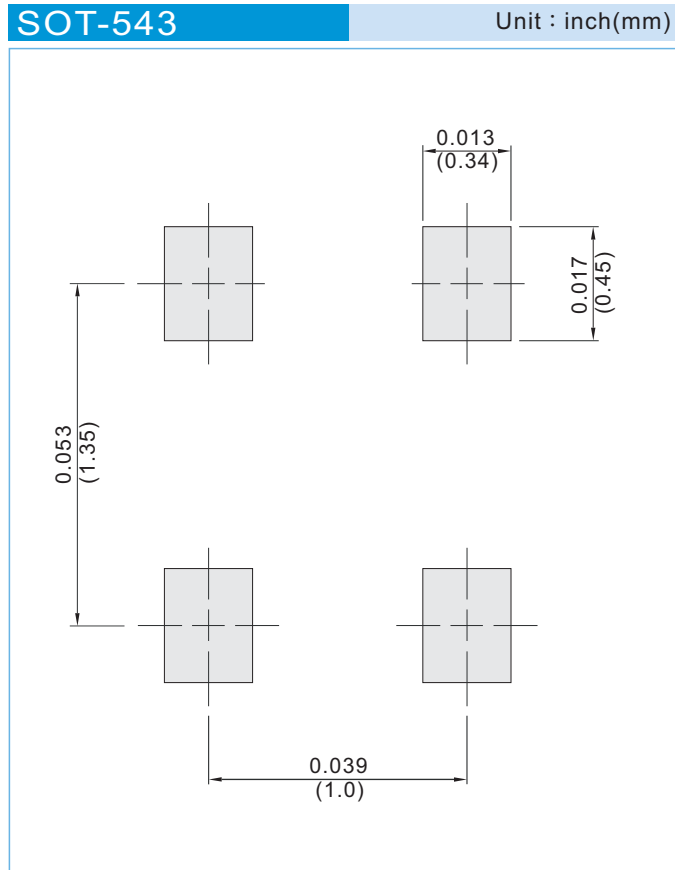
### APPLICATION EXAMPLE





## PJSR05TB4 SERIES

### MOUNTING PAD LAYOUT



### ORDER INFORMATION

- Packing information
  - T/R - 4K per 7" plastic Reel
  - T/R - 10K per 13" plastic Reel

### LEGAL STATEMENT

#### Copyright PanJit International, Inc 2012

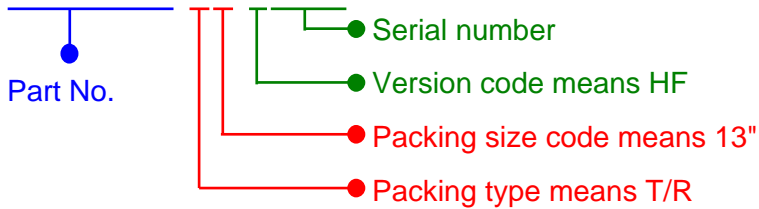
The information presented in this document is believed to be accurate and reliable. The specifications and information herein are subject to change without notice. Pan Jit makes no warranty, representation or guarantee regarding the suitability of its products for any particular purpose. Pan Jit products are not authorized for use in life support devices or systems. Pan Jit does not convey any license under its patent rights or rights of others.



## PJSR05TB4 SERIES

For example :

**RB500V-40\_R2\_00001**



**Part No\_packing code\_Version**

PJSR05TB4\_R1\_00001  
 PJSR05TB4\_R1\_10001  
 PJSR05TB4\_R2\_00001  
 PJSR05TB4\_R2\_10001

Packing Code <b>XX</b>				Version Code <b>XXXXX</b>		
Packing type	<b>1<sup>st</sup> Code</b>	Packing size code	<b>2<sup>nd</sup> Code</b>	HF or RoHS	<b>1<sup>st</sup> Code</b>	<b>2<sup>nd</sup>~5<sup>th</sup> Code</b>
T/B	<b>A</b>	N/A	<b>0</b>	HF	<b>0</b>	<b>serial number</b>
T/R	<b>R</b>	7"	<b>1</b>	RoHS	<b>1</b>	<b>serial number</b>
B/P	<b>B</b>	13"	<b>2</b>			
T/P	<b>T</b>	26mm	<b>X</b>			
TRR	<b>S</b>	52mm	<b>Y</b>			
TRL	<b>L</b>	PBCU	<b>U</b>			
FORMING	<b>F</b>	PBCD	<b>D</b>			