

SHINDENGEN

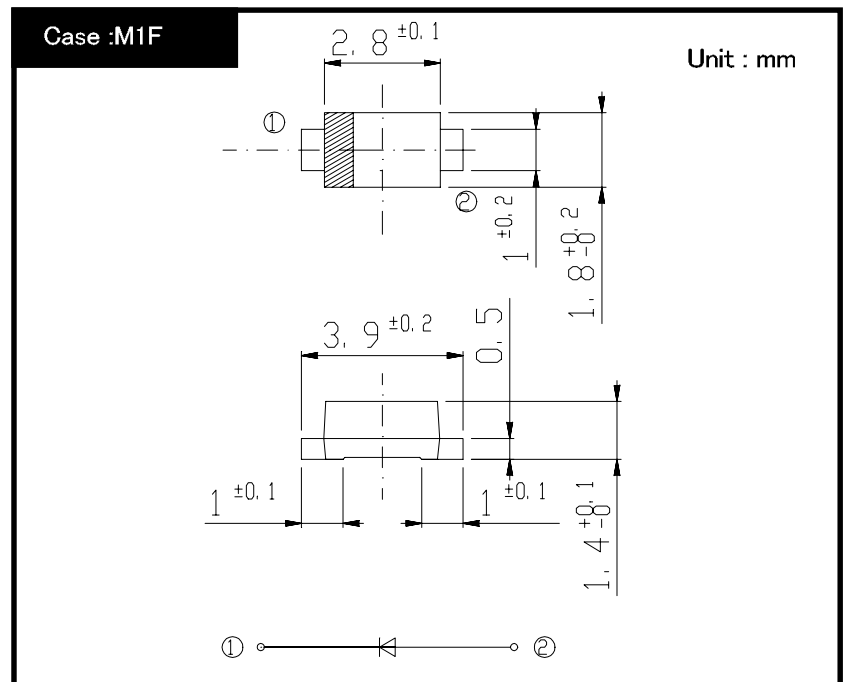
Schottky Rectifiers (SBD)

Single

M1FM3

30V 3A

OUTLINE DIMENSIONS



RATINGS

● Absolute Maximum Ratings (Tc=25°C)

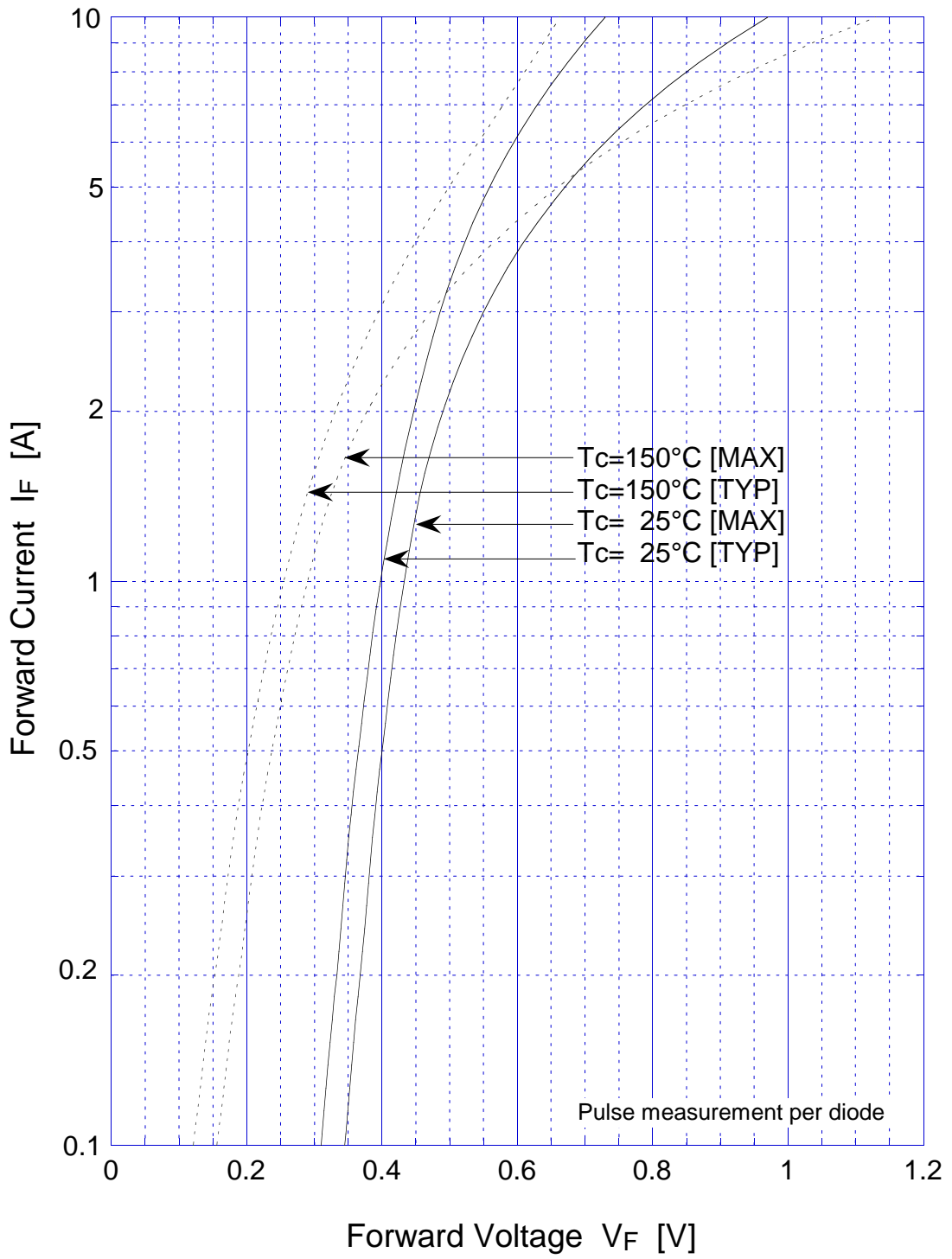
Item	Symbol	Conditions	Ratings	Unit
Storage Temperature	Tstg		-55~150	°C
Operating Junction Temperature	Tj		150	°C
Maximum Reverse Voltage	VRM		30	V
Average Rectified Forward Current	IO	50Hz sine wave, R-load Ta=25°C On glass-epoxy substrate	2.1	A
		50Hz sine wave, R-load Tc=100°C	3.0	A
Peak Surge Forward Current	IFSM	50Hz sine wave, Non-repetitive 1 cycle peak value, Tj=25°C	30	A

● Electrical Characteristics Tc=25°C

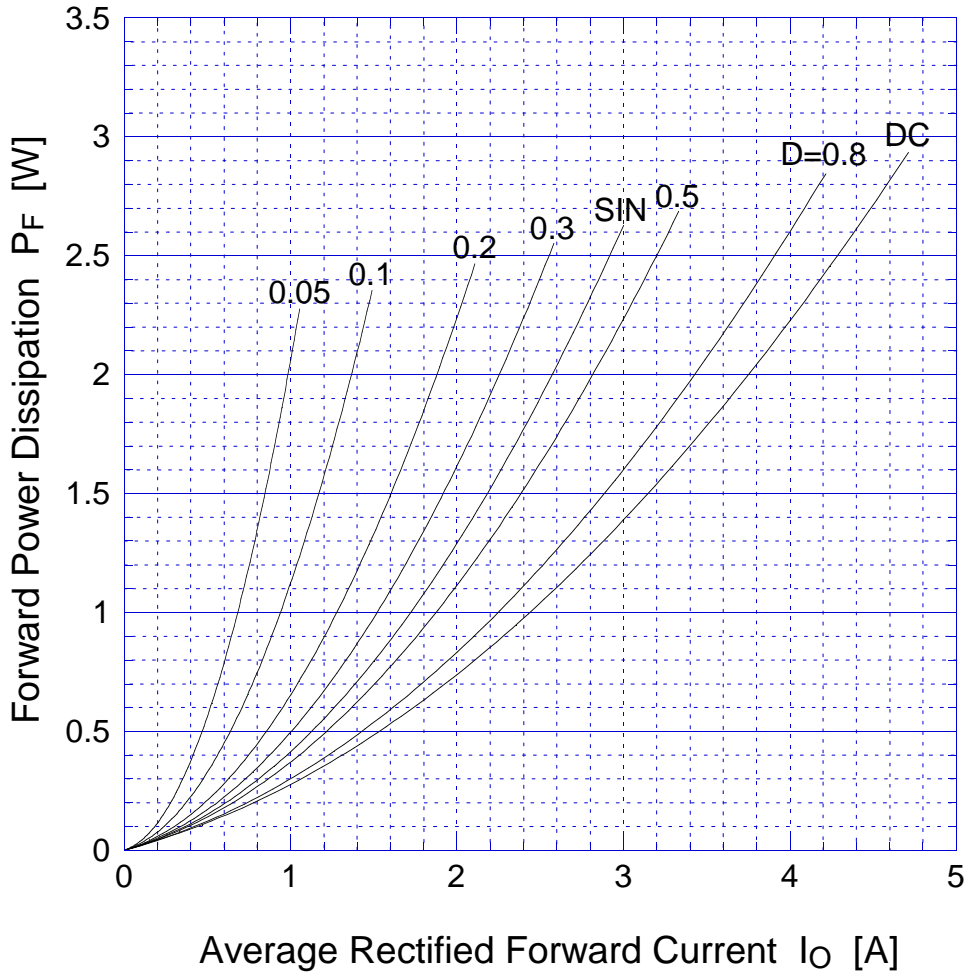
Item	Symbol	Conditions	Ratings	Unit
Forward Voltage	VF1	IF=0.5A, Pulse measurement	Max.0.40	V
	VF2	IF=1.5A, Pulse measurement	Max.0.46	
Reverse Current	IR	VR=VRM, Pulse measurement	Max.0.05	mA
Junction Capacitance	Cj	f=1MHz, VR=10V	Typ.80	pF
Thermal Resistance	θjc	junction to case	Max.18	°C/W
	θjl	junction to lead	Max.20	
	θja	junction to ambient On glass-epoxy substrate	Max.80	

M1FM3

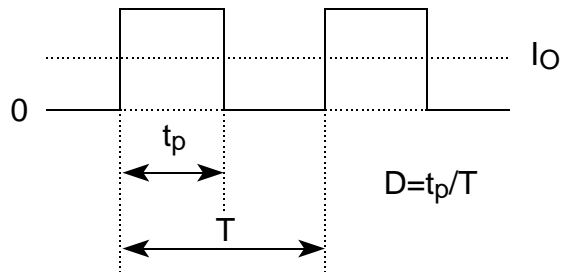
Forward Voltage



M1FM3 Forward Power Dissipation

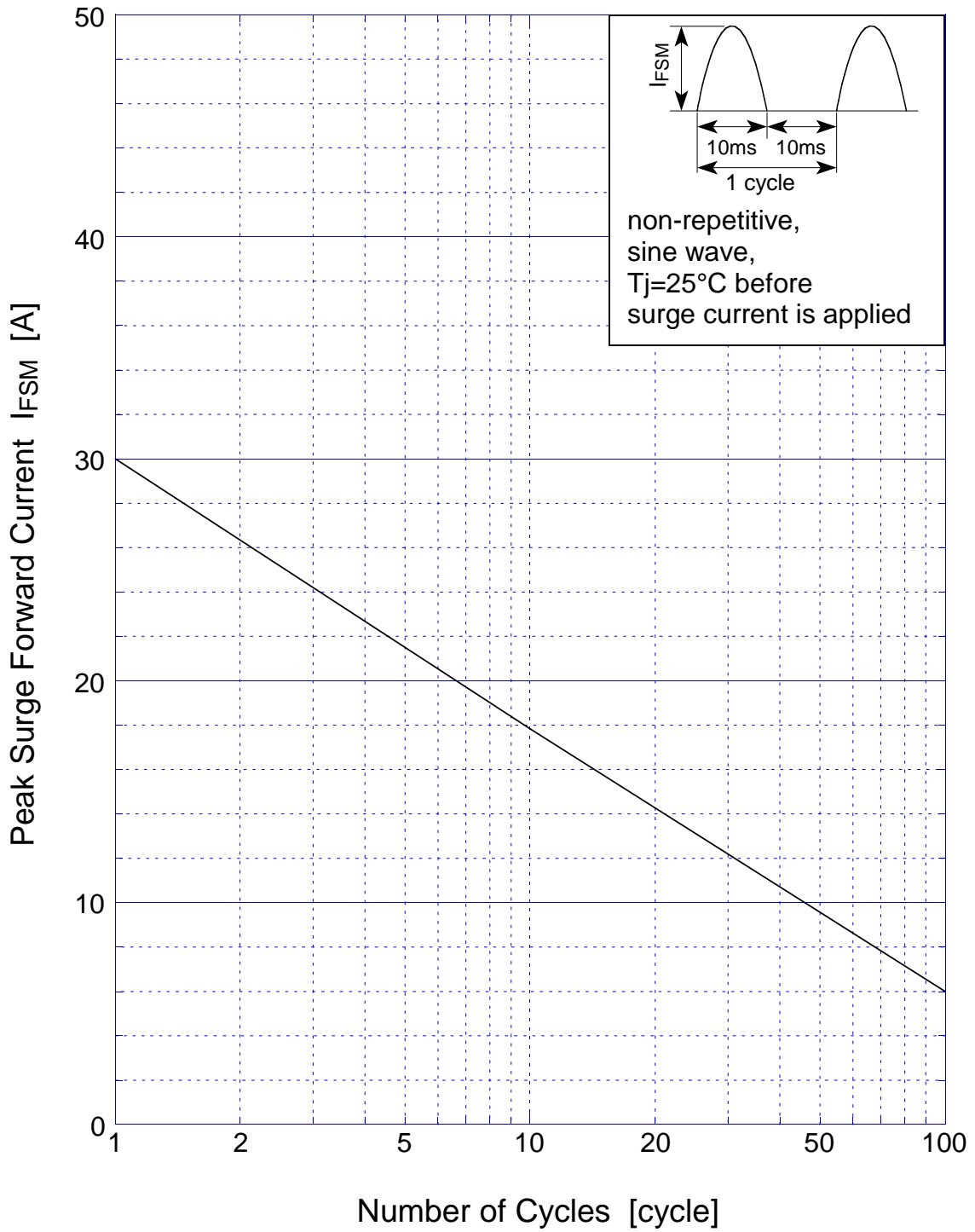


$T_j = 150^\circ\text{C}$



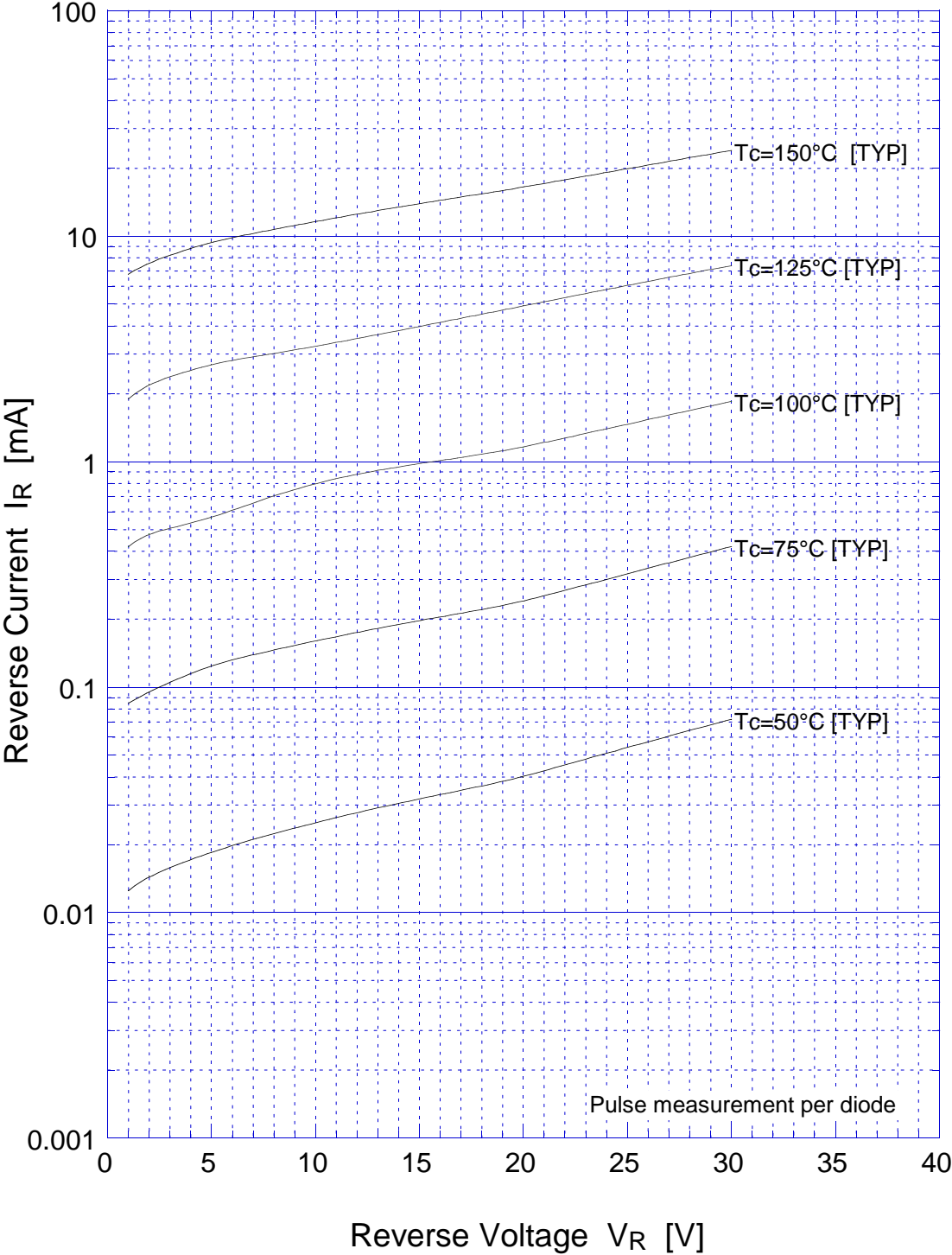
M1FM3

Peak Surge Forward Capability



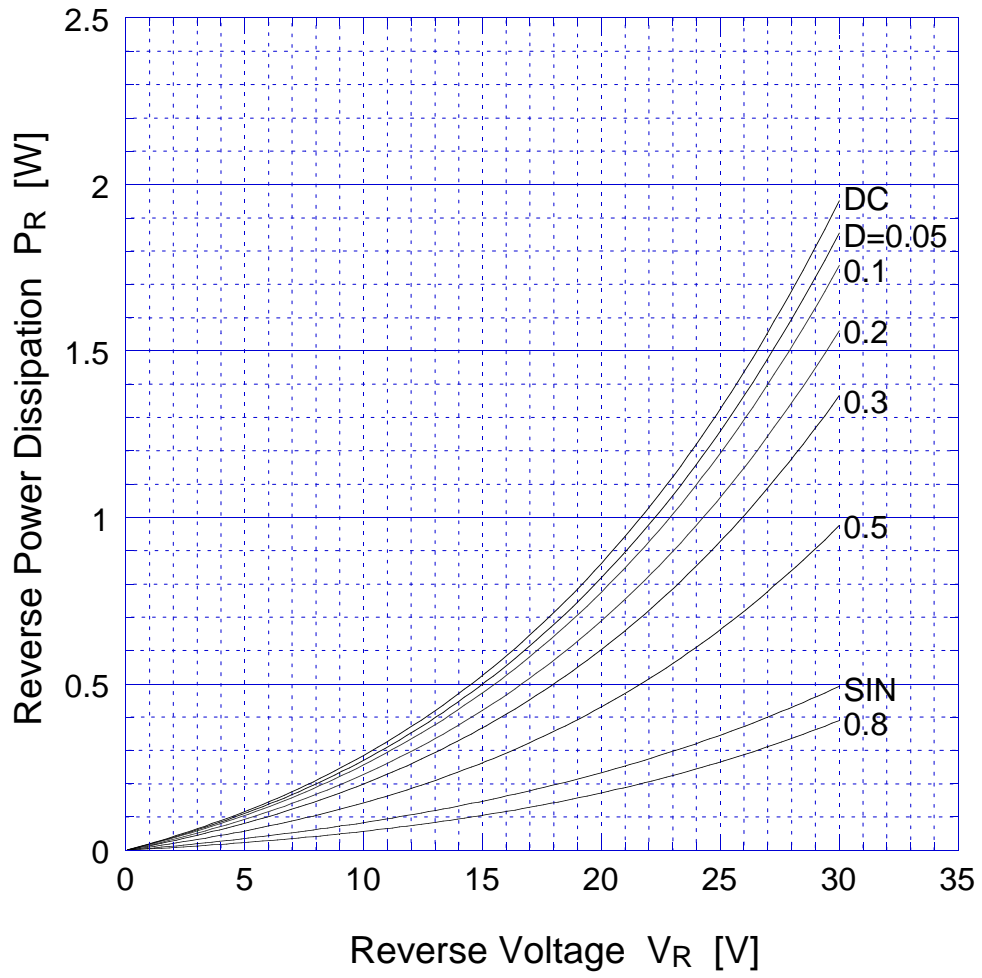
M1FM3

Reverse Current

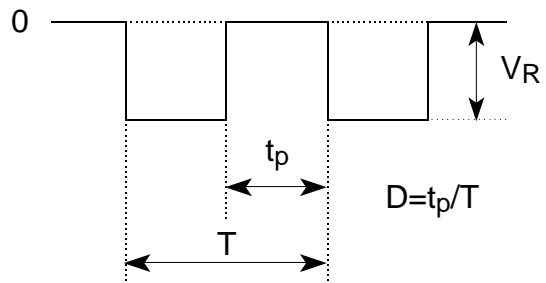


M1FM3

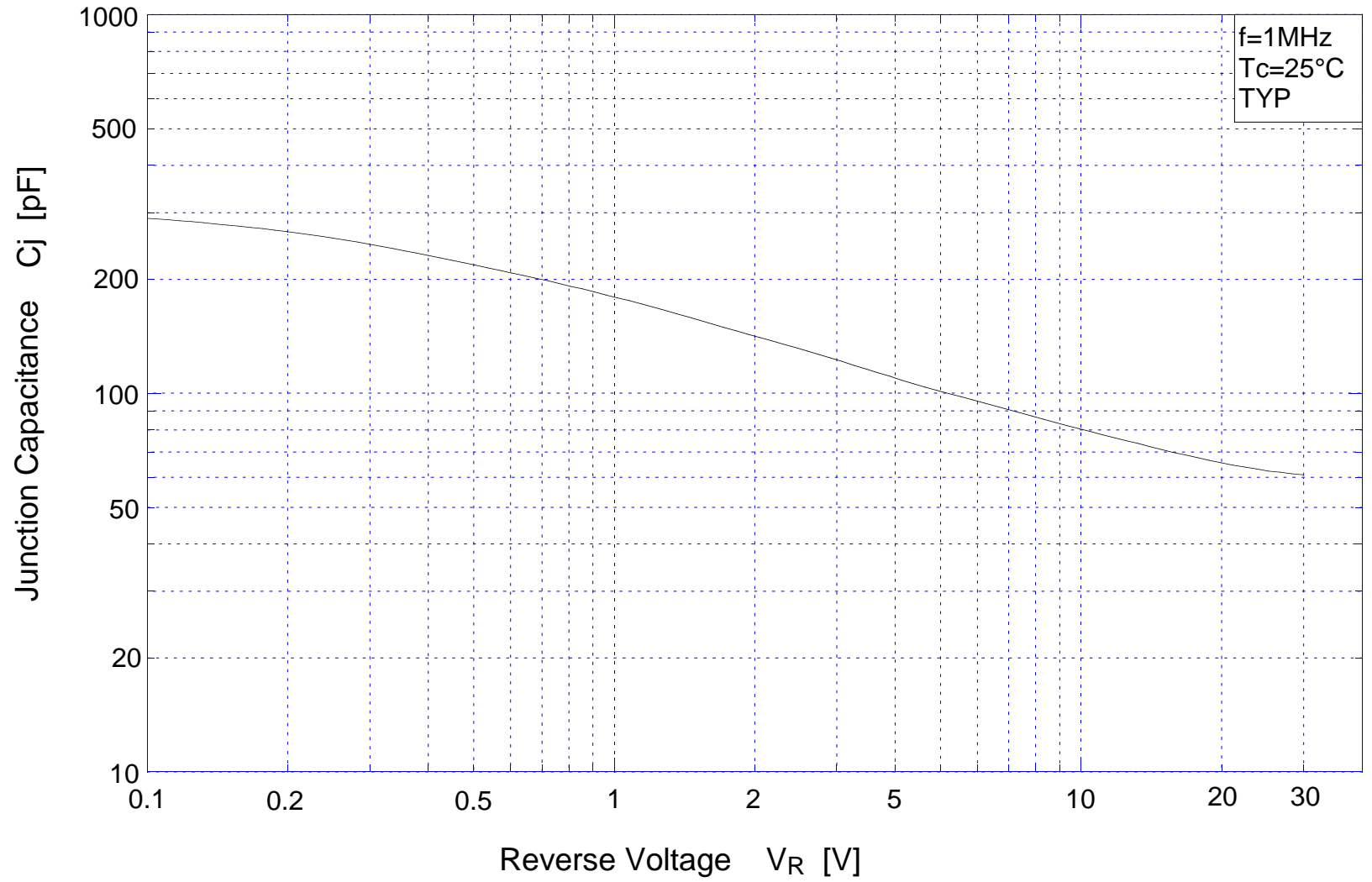
Reverse Power Dissipation



$T_j = 150^\circ\text{C}$

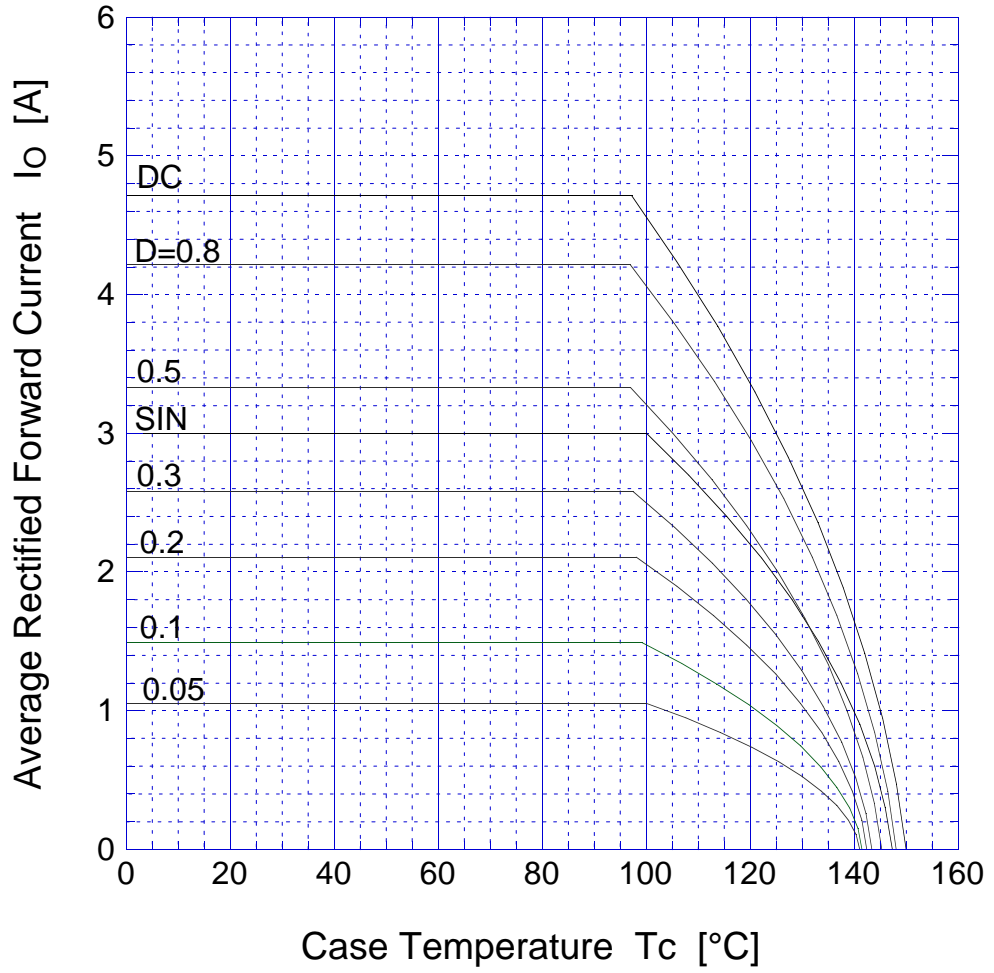


M1FM3 Junction Capacitance

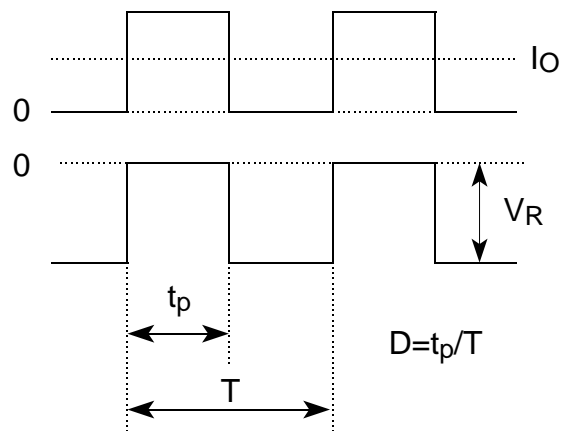


M1FM3

Derating Curve

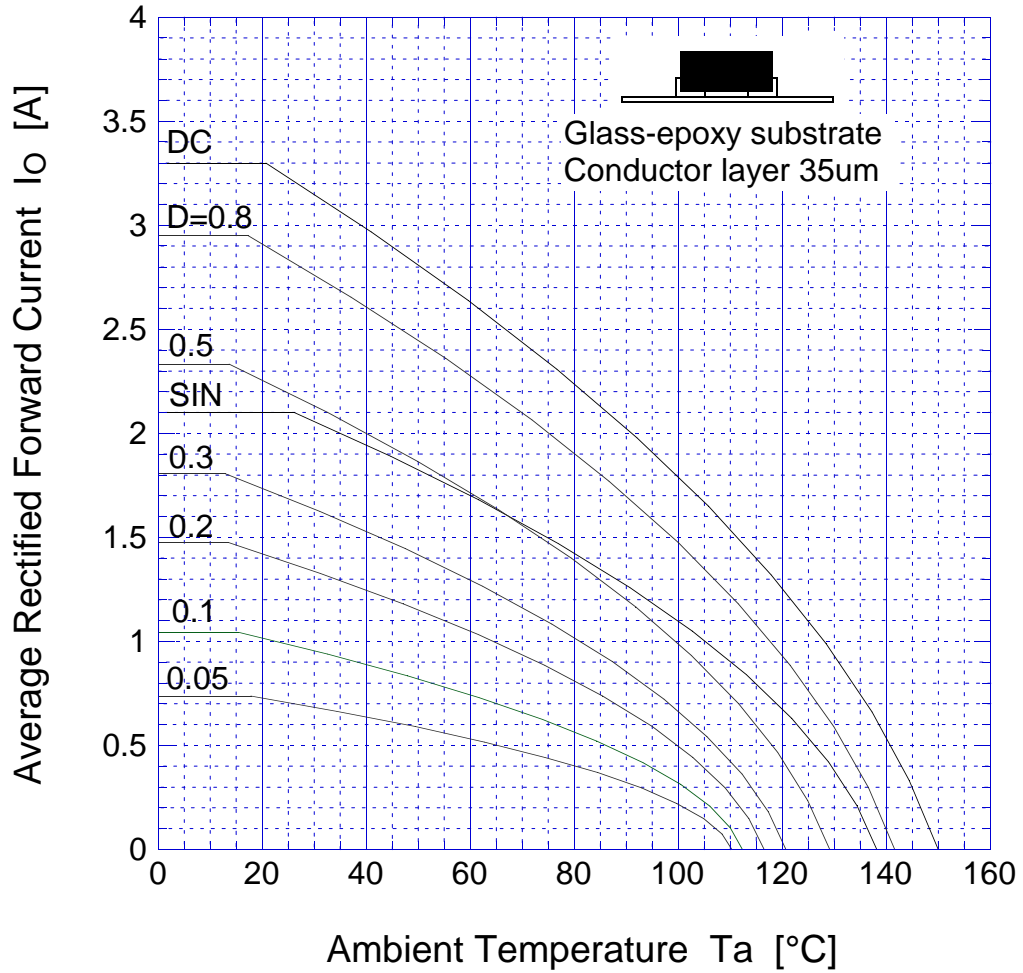


$V_R = 15V$

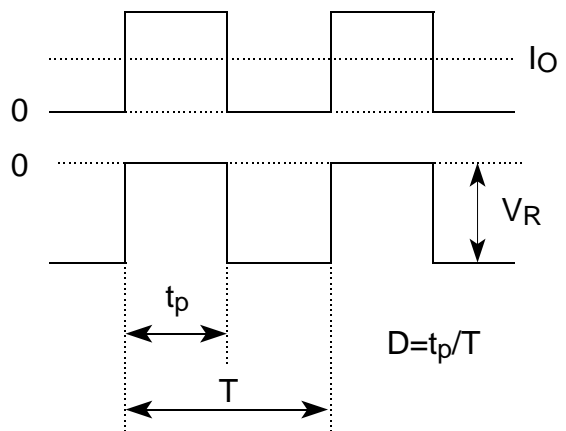


M1FM3

Derating Curve

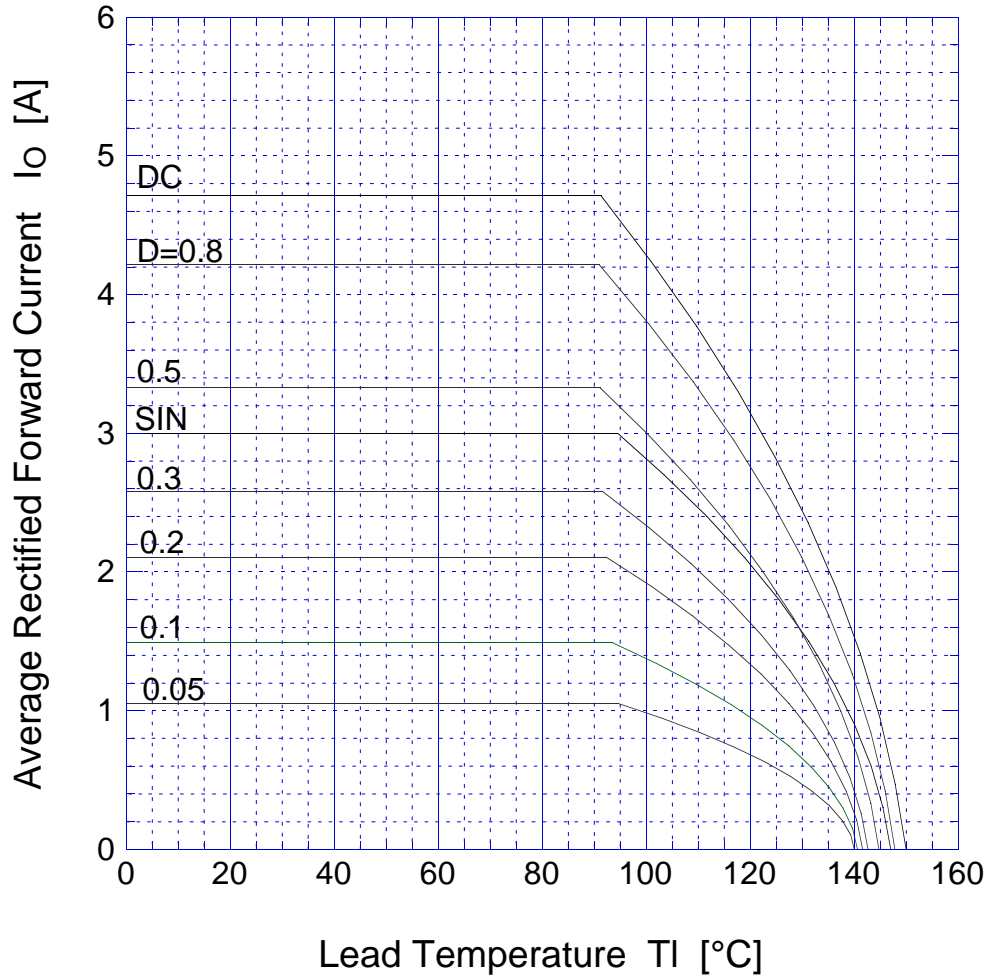


$V_R = 15V$

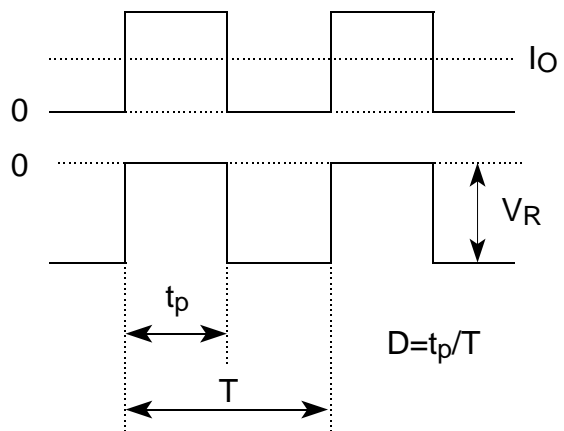


M1FM3

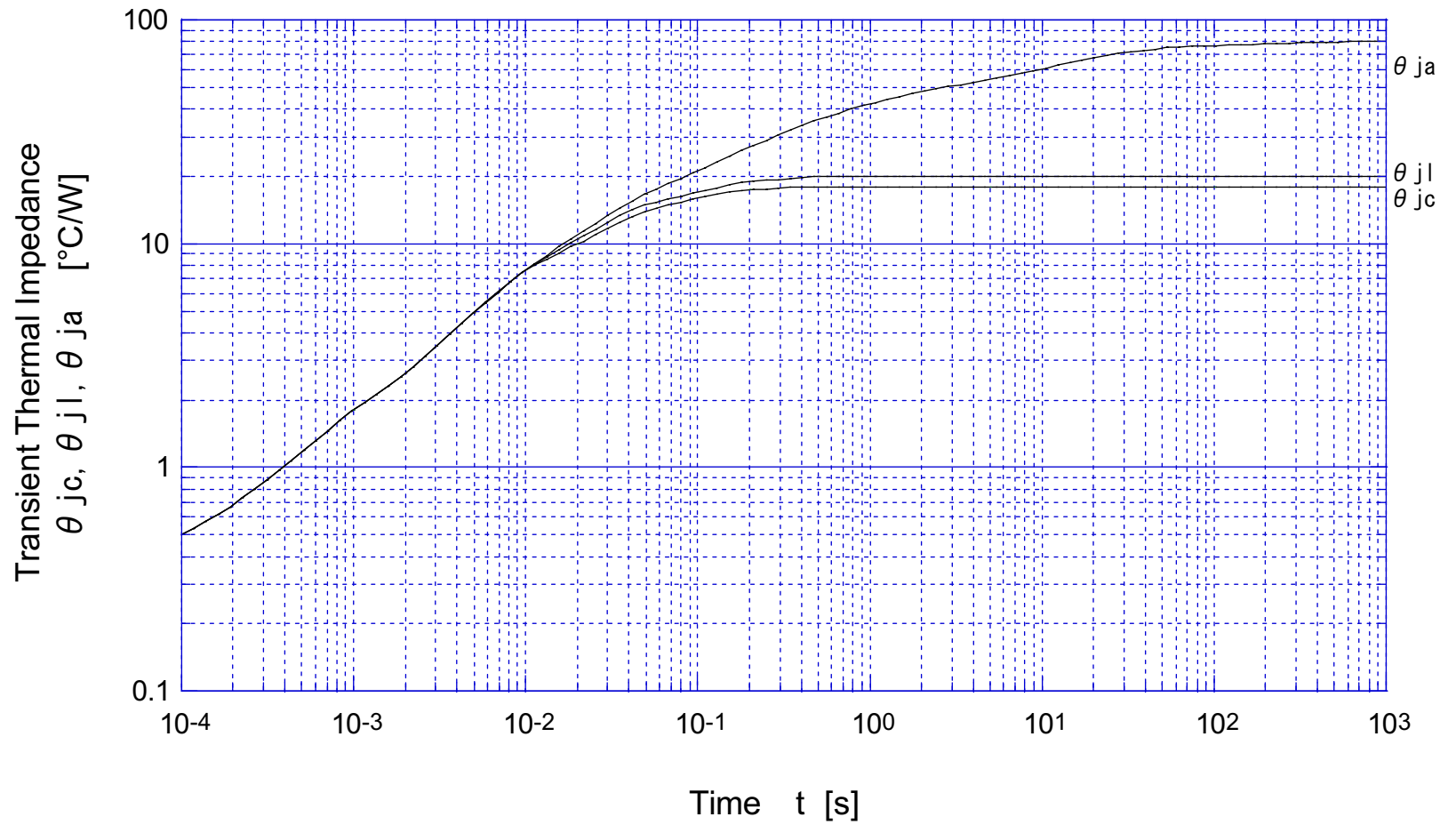
Derating Curve



$V_R = 15V$



M1FM3 Transient Thermal Impedance



M1FM3 θ_{ja} - Conductor pattern area

