

# 800mA Low Dropout Voltage Regulator

## FEATURES

- Guaranteed 0.8A Output Current
- Guaranteed 1A Peak Current
- Three Terminal Adjustable or Fixed 1.5V, 1.8V, 2.5V, 2.85V, 3.0V, 3.3V and 5V
- Low Quiescent Current
- Low Dropout Voltage of 1.1V at 0.8A
- 0.1% Line and 0.2% Load Regulation
- Stable with 2.2 $\mu$ F Ceramic Capacitor
- Overcurrent and Thermal Protection
- Available Packages: SOT-223, TO-252, TO-220, and TO-263

## APPLICATIONS

- Desktop PC's Servers
- SCSI-II Active Terminator
- Portable/ Palm Top / Notebook Computers
- Cordless Phones
- Battery Chargers
- Disk Drives
- Portable Consumer Equipment
- Portable Instrumentation
- SMPS Post-Regulator

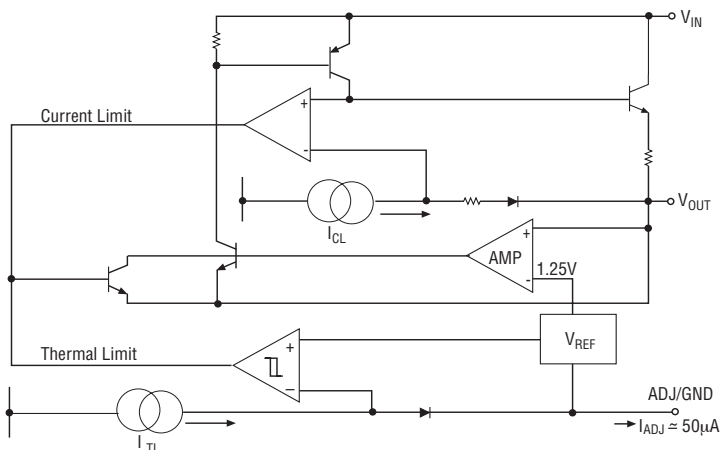
*Now Available in Lead Free Packaging*

## DESCRIPTION

The SPX1117 is a low power positive-voltage regulator designed to satisfy moderate power requirements with a cost effective, small footprint solution. This device is an excellent choice for use in battery-powered applications and portable computers. The SPX1117 features very low quiescent current and a low dropout voltage of 1.1V at a full load. As output current decreases, quiescent current flows into the load, increasing efficiency. SPX1117 is available in adjustable or fixed 1.5V, 1.8V, 2.5V, 2.85V, 3.0V, 3.3V and 5V output voltages.

The SPX1117 is offered in several 3-pin surface mount packages: SOT-223, TO-252, TO-220 and TO-263. An output capacitor of 10 $\mu$ F provides unconditional stability while a smaller 2.2 $\mu$ F capacitor is sufficient for most applications.

## FUNCTIONAL DIAGRAM



## ABSOLUTE MAXIMUM RATINGS

Power Dissipation.....Internally Limited  
 Lead Temperature (soldering, 5 seconds) .....260°C  
 Storage Temperature Range.....-65°C to +150°C  
 Operating Junction Temperature Range.....-40°C to +125°C  
 Input Supply Voltage ..... +20V  
 Input to Output Voltage ..... 18.8V  
 ESD Rating.....2kV min

These are stress ratings only and functional operation of the device at these ratings or any other above those indicated in the operation sections of the specifications below is not implied. Exposure to absolute maximum rating conditions for extended periods of time may affect reliability.

## ELECTRICAL CHARACTERISTICS

$T_A = 25^\circ\text{C}$ ,  $C_{IN} = C_{OUT} = 10\mu\text{F}$ , unless otherwise specified. The Boldface applies over the full operating temperature range.

| PARAMETER                            | CONDITIONS  | MIN                   | TYP                  | MAX                                       | UNITS |
|--------------------------------------|---|-----------------------|----------------------|---|-------|
| <b>1.5V Version</b>                  |   |                       |                      |   |       |
| Output Voltage                       | $I_{OUT} = 10\text{mA}$ , $V_{IN} = 3.0\text{V}$ , $T_J = 25^\circ\text{C}$<br>$10\text{mA} \leq I_{OUT} \leq 800\text{mA}$ , $2.9\text{V} \leq V_{IN} \leq 10\text{V}$                       | 1.485<br><b>1.470</b> | 1.500                | 1.515<br><b>1.530</b>                     | V     |
| <b>1.8V Version</b>                  |   |                       |                      |   |       |
| Output Voltage                       | $I_{OUT} = 10\text{mA}$ , $V_{IN} = 3.3\text{V}$ , $T_J = 25^\circ\text{C}$<br>$10\text{mA} \leq I_{OUT} \leq 800\text{mA}$ , $3.2\text{V} \leq V_{IN} \leq 10\text{V}$                       | 1.782<br><b>1.764</b> | 1.800                | 1.818<br><b>1.836</b>                     | V     |
| <b>2.5V Version</b>                  |   |                       |                      |   |       |
| Output Voltage                       | $I_{OUT} = 10\text{mA}$ , $V_{IN} = 4.0\text{V}$ , $T_J = 25^\circ\text{C}$<br>$10\text{mA} \leq I_{OUT} \leq 800\text{mA}$ , $3.9\text{V} \leq V_{IN} \leq 10\text{V}$                       | 2.475<br><b>2.450</b> | 2.500                | 2.525<br><b>2.550</b>                     | V     |
| <b>2.85V Version</b>                 |   |                       |                      |   |       |
| Output Voltage                       | $I_{OUT} = 10\text{mA}$ , $V_{IN} = 4.35\text{V}$ , $T_J = 25^\circ\text{C}$<br>$10\text{mA} \leq I_{OUT} \leq 800\text{mA}$ , $4.25\text{V} \leq V_{IN} \leq 10\text{V}$                     | 2.821<br><b>2.793</b> | 2.850                | 2.878<br><b>2.907</b>                     | V     |
| <b>3.00V Version</b>                 |   |                       |                      |   |       |
| Output Voltage                       | $I_{OUT} = 10\text{mA}$ , $V_{IN} = 4.5\text{V}$ , $T_J = 25^\circ\text{C}$<br>$10\text{mA} \leq I_{OUT} \leq 800\text{mA}$ , $4.4\text{V} \leq V_{IN} \leq 10\text{V}$                       | 2.970<br><b>2.940</b> | 3.000                | 3.030<br><b>3.060</b>                     | V     |
| <b>3.30V Version</b>                 |   |                       |                      |   |       |
| Output Voltage                       | $I_{OUT} = 10\text{mA}$ , $V_{IN} = 4.8\text{V}$ , $T_J = 25^\circ\text{C}$<br>$10\text{mA} \leq I_{OUT} \leq 800\text{mA}$ , $4.7\text{V} \leq V_{IN} \leq 10\text{V}$                       | 3.267<br><b>3.234</b> | 3.300                | 3.333<br><b>3.366</b>                     | V     |
| <b>5V Version</b>                    |   |                       |                      |   |       |
| Output Voltage                       | $I_{OUT} = 10\text{mA}$ , $V_{IN} = 6.5\text{V}$<br>$10\text{mA} \leq I_{OUT} \leq 800\text{mA}$ , $6.4\text{V} \leq V_{IN} \leq 12\text{V}$  | 4.950<br><b>4.90</b>  | 5                    | 5.050<br><b>5.10</b>                      | V     |
| <b>All Voltage Options</b>           |   |                       |                      |   |       |
| Reference Voltage                    | $I_{OUT} = 10\text{mA}$ , $(V_{IN} - V_{OUT}) = 2\text{V}$ , $T_J = 25^\circ\text{C}$<br>$10\text{mA} \leq I_{OUT} \leq 800\text{mA}$ , $1.4\text{V} \leq (V_{IN} - V_{OUT}) \leq 10\text{V}$ | 1.238<br><b>1.225</b> | 1.250                | 1.262<br><b>1.270</b>                     | V     |
| Output Voltage Temperature Stability |   |                       | 0.3                  |   | %     |
| Line Regulation (Note 1)             | $V_{IN\text{MIN}} \leq V_{IN} \leq 12\text{V}$ , $V_{OUT} = \text{Fixed/Adj}$ ,<br>$I_{OUT} = 10\text{mA}$  |                       | 3                    | 7   | mV    |
| Load Regulation (Note 1)             | $10\text{mA} \leq I_{OUT} \leq 800\text{mA}$ , $V_{OUT} = \text{Fixed/Adj}$   |                       | 6                    | <b>12</b>                                 | mV    |
| Dropout Voltage (Note 2)             | $I_{OUT} = 100\text{mA}$<br>$I_{OUT} = 500\text{mA}$<br>$I_{OUT} = 800\text{mA}$  |                       | 1.00<br>1.05<br>1.10 | <b>1.10</b><br><b>1.15</b><br><b>1.20</b> | V     |
| Quiescent Current                    | $4.25\text{V} \leq V_{IN} \leq 6.5\text{V}$   |                       | 5                    | <b>10</b>                                 | mA    |

## ELECTRICAL CHARACTERISTICS

$T_A = 25^\circ\text{C}$ ,  $C_{IN} = C_{OUT} = 10\mu\text{F}$ , unless otherwise specified. The Boldface applies over the full operating temperature range.

| PARAMETER           | CONDITIONS  | MIN | TYP   | MAX        | UNITS                     |
|---------------------|---|-----|-------|------------|---------------------------|
| Adjust Pin Current  |   |     | 50    | <b>120</b> | $\mu\text{A}$             |
| Current Limit       | $(V_{IN} - V_{OUT}) = 5\text{V}$  | 1.0 | 1.5   | 2.0        | A                         |
| Thermal Regulation  | $25^\circ\text{C}$ , 30mS pulse   |     | 0.01  | 0.1        | %/W                       |
| Ripple Rejection    | $f_{\text{RIPPLE}} = 120\text{Hz}$ , $(V_{IN} - V_{OUT}) = 2\text{V}$ ,<br>$V_{\text{RIPPLE}} = 1V_{\text{PP}}$ | 60  | 75    |            | dB                        |
| Long Term Stability | $125^\circ\text{C}$ , 1000Hrs   |     | 0.03  |            | %                         |
| RMS Output Noise    | % of $V_{OUT}$ , $10\text{Hz} \leq f \leq 10\text{kHz}$   |     | 0.003 |            | %                         |
| Thermal Resistance  | TO-220 Junction to Case, at Tab   |     | 3     |            | $^\circ\text{C}/\text{W}$ |
|                     | TO-220 Junction to Ambient  |     | 60    |            |                           |
|                     | TO-263 Junction to Case, at Tab   |     | 3     |            |                           |
|                     | TO-263 Junction to Ambient  |     | 60    |            |                           |
|                     | TO-252 Junction to Case, at Tab   |     | 6     |            |                           |
|                     | TO-252 Junction to Ambient  |     | 126   |            |                           |
|                     | SOT-223 Junction to Case, at Tab  |     | 15    |            |                           |
|                     | SOT-223 Junction to Ambient   |     | 156   |            |                           |

\*Note 1 - For fixed option,  $V_{\text{INMIN}} = V_{\text{OUT}} + 1.5\text{V}$

- For adjustable option,  $V_{\text{INMIN}} = V_{\text{IN}} - V_{\text{OUT}} = 1.4\text{V}$

\*Note 2 - Dropout voltage is the input voltage minus output voltage that produces a 1% decrease in output voltage with respect to the nominal output voltage at  $V_{\text{IN}} = V_{\text{OUT}} + 1.5\text{V}$

# TYPICAL PERFORMANCE CHARACTERISTICS

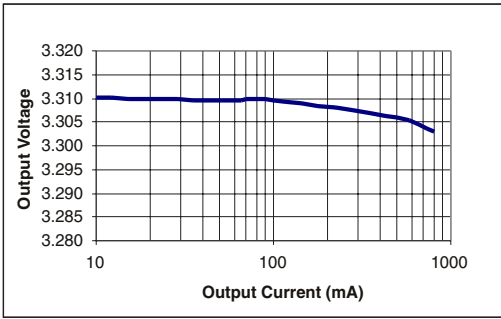


Figure 1. Load Regulation for SPX1117M3-3.3;  
 $V_{IN}=4.8V$

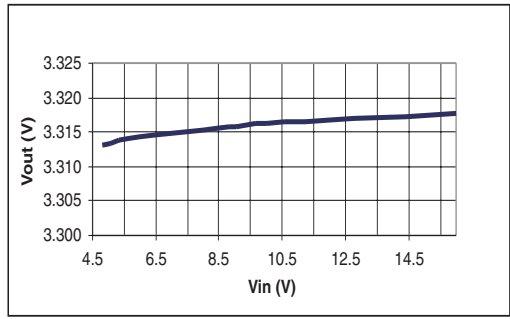


Figure 2. Line Regulation for SPX1117M3-3.3;  
 $I_{OUT}=10mA$

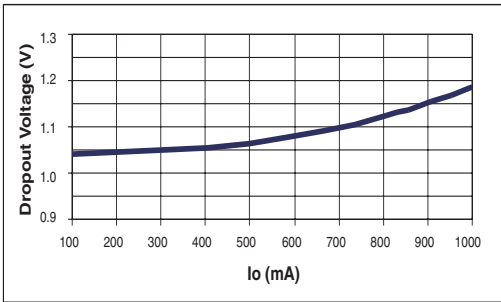


Figure 3. Dropout Voltage vs Output Current for SPX1117M3-3.3;  $V_{IN}=4.8V$ ,  $C_{OUT}=2.2\mu F$

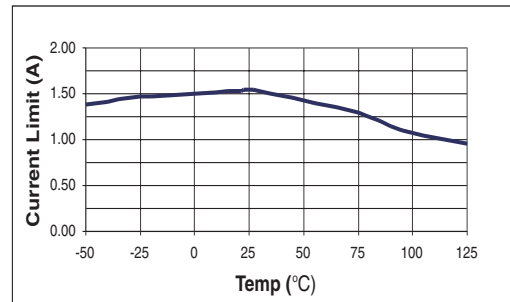


Figure 4. Current Limit for SPX1117M3-3.3;  $V_{IN}=4.8V$ ,  
 $C_{IN}=C_{OUT}=1\mu F$ ,  $I_{OUT}$  pulsed from 10mA to Current Limit

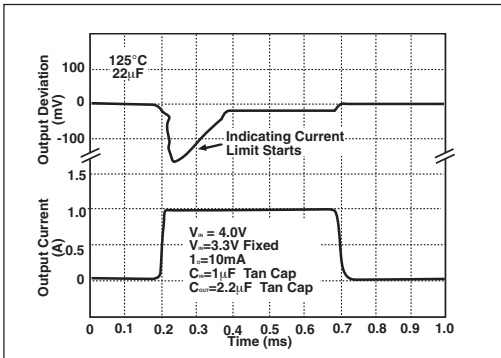


Figure 5. Current Limit for SPX1117M3-3.3, Output Voltage Deviation with  $I_{OUT}=10mA$  to 1A Step

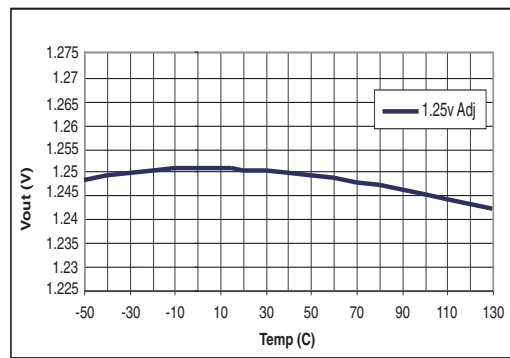


Figure 6.  $V_{OUT}$  vs Temperature,  $V_{IN}=2.5V$ ,  $I_{OUT}=10mA$

## TYPICAL PERFORMANCE CHARACTERISTICS: Continued

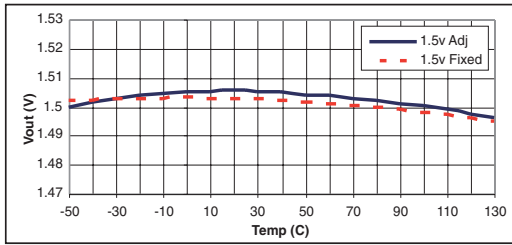


Figure 7.  $V_{IN}=3.0V$ ,  $I_{OUT}=10mA$

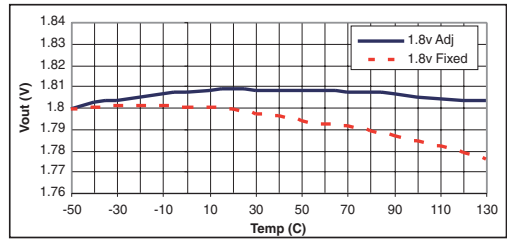


Figure 8.  $V_{IN}=3.3V$ ,  $I_{OUT}=10mA$

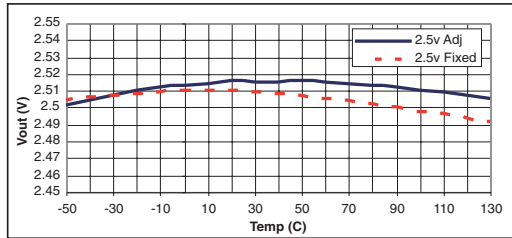


Figure 9.  $V_{IN}=4.0V$ ,  $I_{OUT}=10mA$

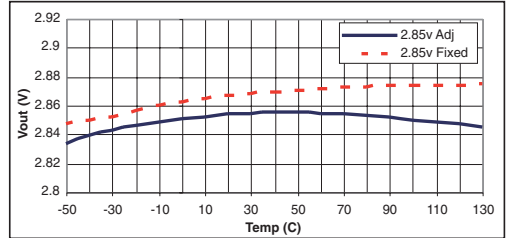


Figure 10.  $V_{IN}=4.85V$ ,  $I_{OUT}=10mA$

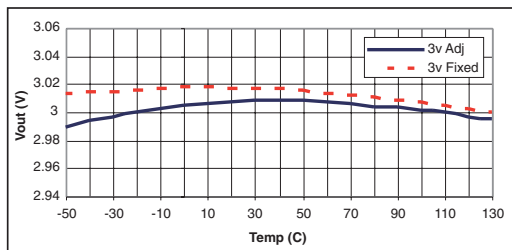


Figure 11.  $V_{IN}=4.85V$ ,  $I_{OUT}=10mA$

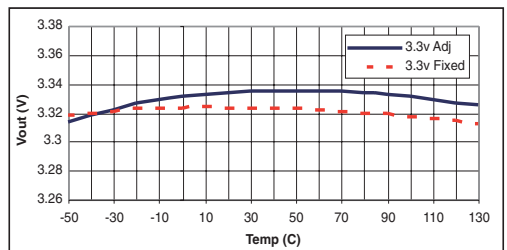


Figure 12.  $V_{IN}=5.0V$ ,  $I_{OUT}=10mA$

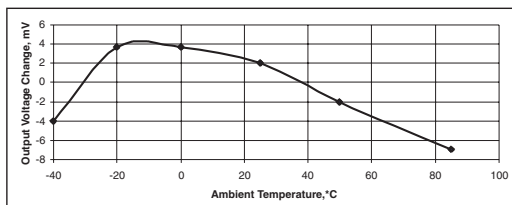


Figure 13. Line Regulation vs Temperature.  $V_{OUT}=1.8V$  (adjustable),  $V_{IN}=3.3V$

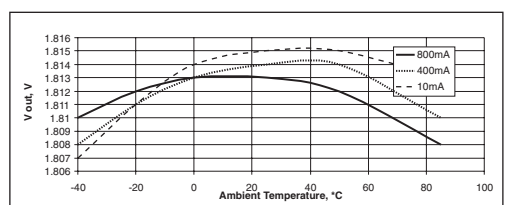


Figure 14. Output Voltage vs Temperature at different Current Loads,  $V_{IN}=3.3V$ ,  $V_{OUT}=1.8V$  Adjustable

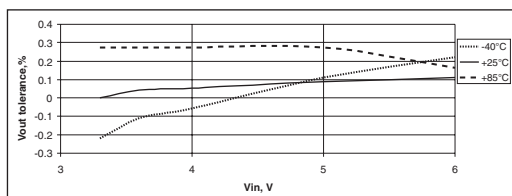


Figure 15. Line Regulation at  $I_{LOAD}=800mA$  over Temperature,  $V_{OUT}=1.8V$  adjustable

### Output Capacitor

To ensure the stability of the SPX1117, an output capacitor of at least 2.2 $\mu$ F (tantalum or ceramic) or 10 $\mu$ F (aluminum) is required. The value may change based on the application requirements of the output load or temperature range. The value of ESR can vary based on the type of capacitor used in the applications to guarantee stability. The recommended value for ESR is 0.5 $\Omega$  or less. A larger value of output capacitance (up to 100 $\mu$ F) can improve the load transient response.

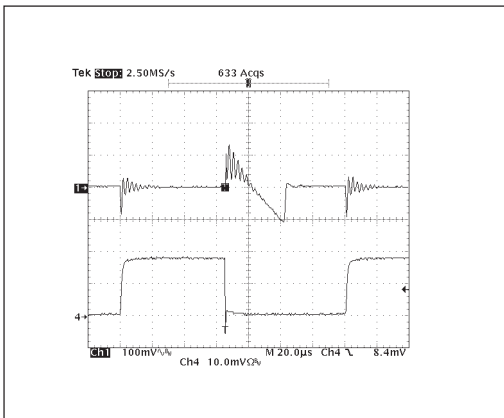
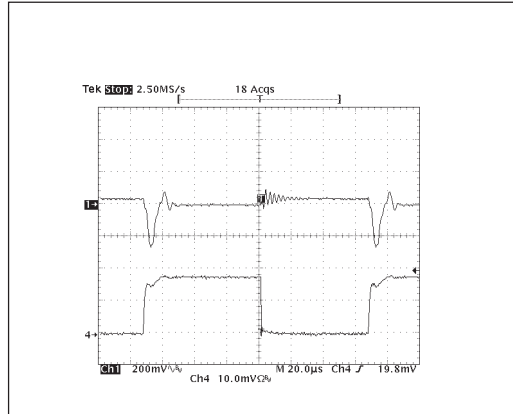


Figure 16. Load Step Response (0 to 800mA), Vin=3.3V, Vout=1.8V, Cin=10 $\mu$ F, Cout=2.2 $\mu$ F, Ceramic; 1 = Vout, 4= Iload

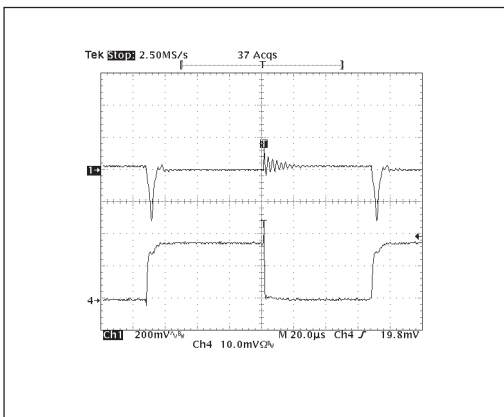


Figure 17. Load Step Response (0 to 800mA), Vin=3.3V, Vout=1.8V, Cin=10 $\mu$ F, Cout=2.2 $\mu$ F, OSCON; 1 = Vout, 4= Iload

### Soldering Methods

The SPX1117 SOT-223 package is designed to be compatible with infrared reflow or vapor-phase reflow soldering techniques. During soldering, the non-active or mildly active fluxes may be used. The SPX1117 die is attached to the heatsink lead which exits opposite the input, output, and ground pins.

Hand soldering and wave soldering should be avoided since these methods can cause damage to the device with excessive thermal gradients on the package. The SOT-223 recommended soldering method are as follows: vapor phase reflow and infrared reflow with the component preheated to within 65 $^{\circ}$ C of the soldering temperature range.

### Thermal Characteristics

The thermal resistance of SPX1117 (SOT-223 Package) is 15°C/W from junction to tab and 31°C/W from tab to ambient for a total of 46°C/W from junction to ambient (Table 1). The SPX1117 features the internal thermal limiting to protect the device during overload conditions. Special care needs to be taken during continuous load conditions such that the maximum junction temperature does not exceed 125°C. Thermal protection is activated at >155°C and deactivated at <140°C.

Taking the FR-4 printed circuit board and 1/16 thick with 1 ounce copper foil as an experiment (fig.13), the PCB material is effective at transmitting heat with the tab attached to the pad area and a ground plane layer on the backside of the substrate. Refer to table 1 for the results of the experiment.

The thermal interaction from other components in the application can effect the thermal resistance of the SPX1117. The actual thermal resistance can be determined with experimentation.

SPX1117 power dissipation is calculated as follows:

$$P_D = (V_{IN} - V_{OUT})(I_{OUT})$$

Maximum Junction Temperature range:

$$T_J = T_A(\text{max}) + P_D * \text{thermal resistance (junction-to-ambient)}$$

Maximum junction temperature must not exceed the 125°C.

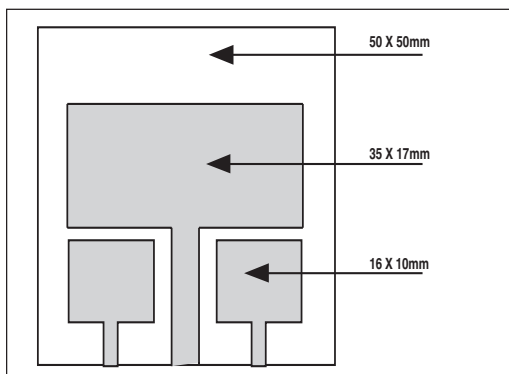


Figure 19. Substrate Layout for SOT-223

### Ripple Rejection

Ripple rejection can be improved by adding a capacitor between the ADJ pin and ground as shown in Figure 23. When ADJ pin bypassing is used, the value of the output capacitor required increases to its maximum. If the ADJ pin is not bypassed, the value of the output capacitor can be lowered to 10µF for an electrolytic aluminum capacitor or 2.2µF for a ceramic or solid tantalum capacitor (Fig 22).

However the value of the ADJ-bypass capacitor should be chosen with respect to the following equation:

$$C = 1 / ( 6.28 * F_R * R_1 )$$

Where

- C = value of the capacitor in Farads (select an equal or larger standard value),
- $F_R$  = ripple frequency in Hz,
- $R_1$  = value of resistor R1 in Ohms.

If an ADJ-bypass capacitor is used, the amplitude of the output ripple will be independent of the output voltage. If an ADJ-bypass capacitor is not used, the output ripple will be proportional to the ratio of the output voltage to the reference voltage:

$$M = V_{OUT} / V_{REF}$$

Where M = multiplier for the ripple seen when the ADJ pin is optimally bypassed.

$$V_{REF} = 1.25V$$

Ripple rejection for the adjustable version is shown in Figure 20.

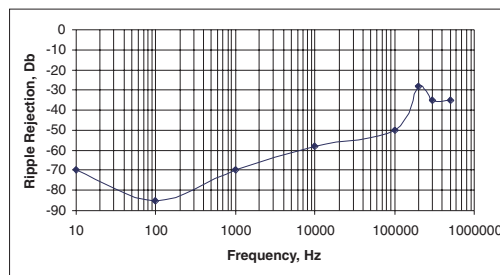


Figure 20. Ripple Rejection;  $V_{in}=3.3V$ ,  $V_{out}=1.8V$  (adj.),  $I_{load}=200mA$

TABLE 1

| PC BOARD<br>mm <sup>2</sup> | TOPSIDE COPPER<br>mm <sup>2</sup> | BACKSIDE COPPER<br>mm <sup>2</sup> | THERMAL RESISTANCE<br>JUNC. TO AMB.<br>°C/W |
|-----------------------------|-----------------------------------|------------------------------------|---|
| 2500                        | 2500                              | 2500                               | 46  |
| 2500                        | 1250                              | 2500                               | 47  |
| 2500                        | 950                               | 2500                               | 49  |
| 2500                        | 2500                              | 0                                  | 51  |
| 2500                        | 1800                              | 0                                  | 53  |
| 1600                        | 600                               | 1600                               | 55  |
| 2500                        | 1250                              | 0                                  | 58  |
| 2500                        | 915                               | 0                                  | 59  |
| 1600                        | 600                               | 0                                  | 67  |
| 900                         | 240                               | 900                                | 72  |
| 900                         | 240                               | 0                                  | 85  |

**Output Voltage**

The output of the adjustable regulator can be set to any voltage between 1.25V and 15V. The value of  $V_{OUT}$  can be quickly approximated using the formula

$$V_{OUT} = 1.25 * (R_1 + R_2) / R_1.$$

A small correction to this formula is required depending on the values of resistors  $R_1$  and  $R_2$ , since the adjustable pin current (approx 50µA) flows through  $R_2$ . When  $I_{ADJ}$  is taken into account, the formula becomes

$$V_{OUT} = V_{REF} (1 + (R_2/R_1)) + I_{ADJ} * R_2,$$

where

$$V_{REF} = 1.25V.$$

**Layout Considerations**

Parasitic line resistance can degrade load regulation. In order to avoid this, connect  $R_1$  directly to  $V_{OUT}$  as illustrated in Figure 25. For the same reason,  $R_2$  should be connected to the negative side of the load.

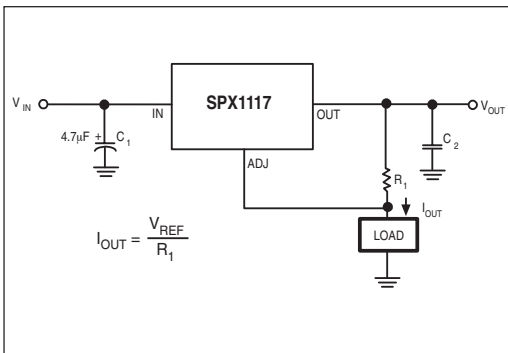


Figure 21. Current Source

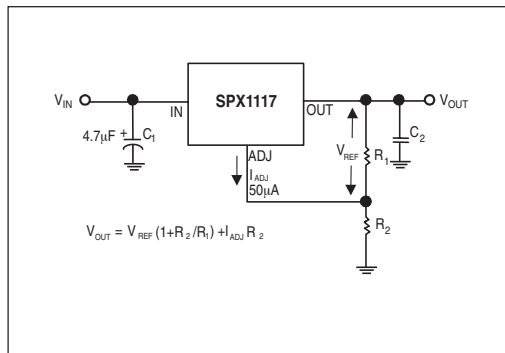


Figure 22. Typical Adjustable Regulator



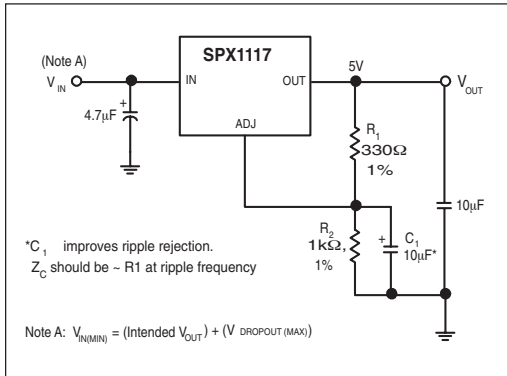


Figure 23. Improving Ripple Rejection

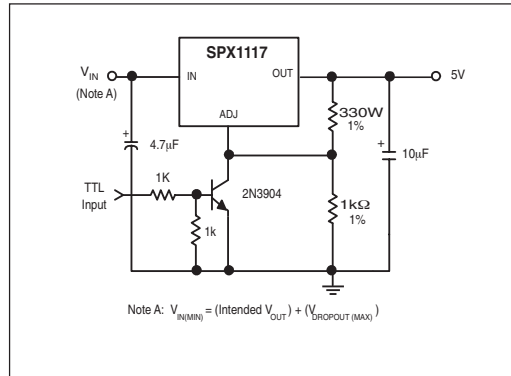


Figure 24. 5V Regulator with Shutdown

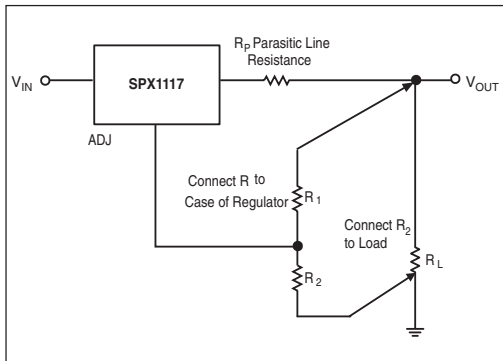
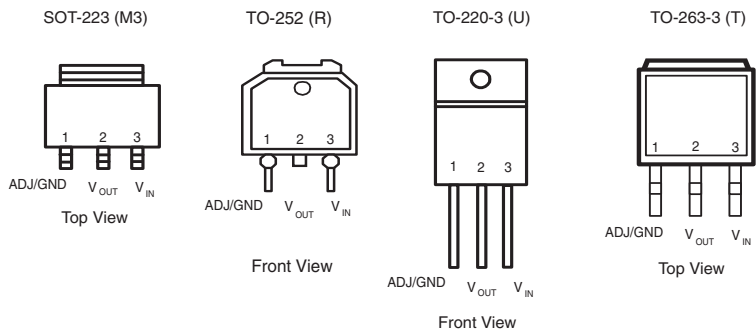
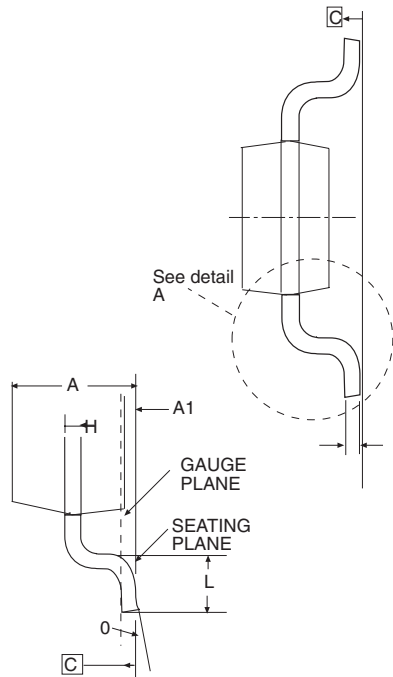
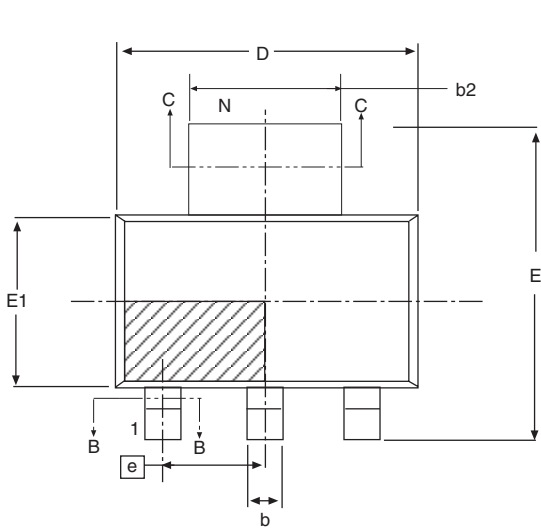


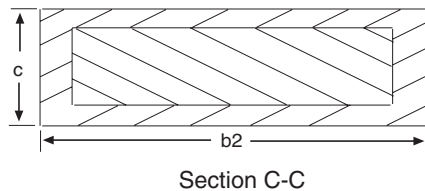
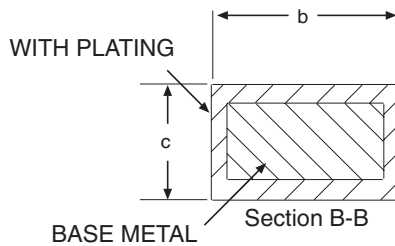
Figure 25. Recommended Connections for Best Results

PINOUTS

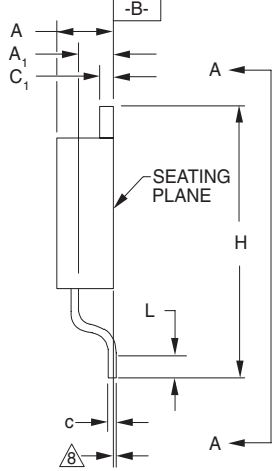
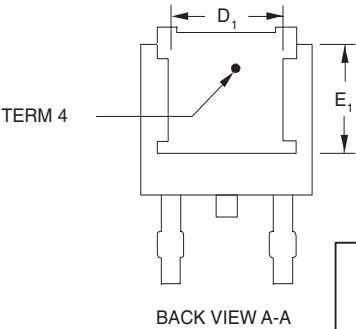
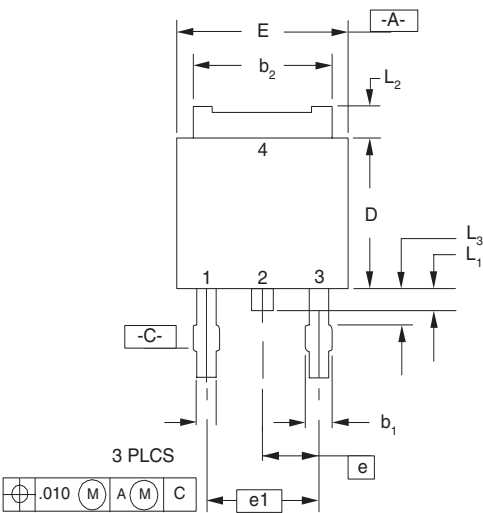




| 3 PIN SOT-223<br>JEDEC TO-261<br>(AA) Variation | Dimensions in (mm) |      |      |
|---|--------------------|------|------|
|   | MIN                | NOM  | MAX  |
| A   | -                  | -    | 1.80 |
| A1  | 0.02               | -    | 0.10 |
| A2  | 1.50               | 1.60 | 1.70 |
| b   | 0.66               | 0.76 | 0.84 |
| b2  | 2.90               | 3.00 | 3.10 |
| c   | 0.23               | 0.30 | 0.35 |
| D   | 6.30               | 6.50 | 6.70 |
| E   | 6.70               | 7.00 | 7.30 |
| E1  | 3.30               | 3.50 | 3.70 |
| e   | 2.30 BASIC         |      |      |
| e1  | 4.60 BASIC         |      |      |
| L   | 0.75               | -    | -    |
| $\phi$  | 0°                 | -    | 10°  |

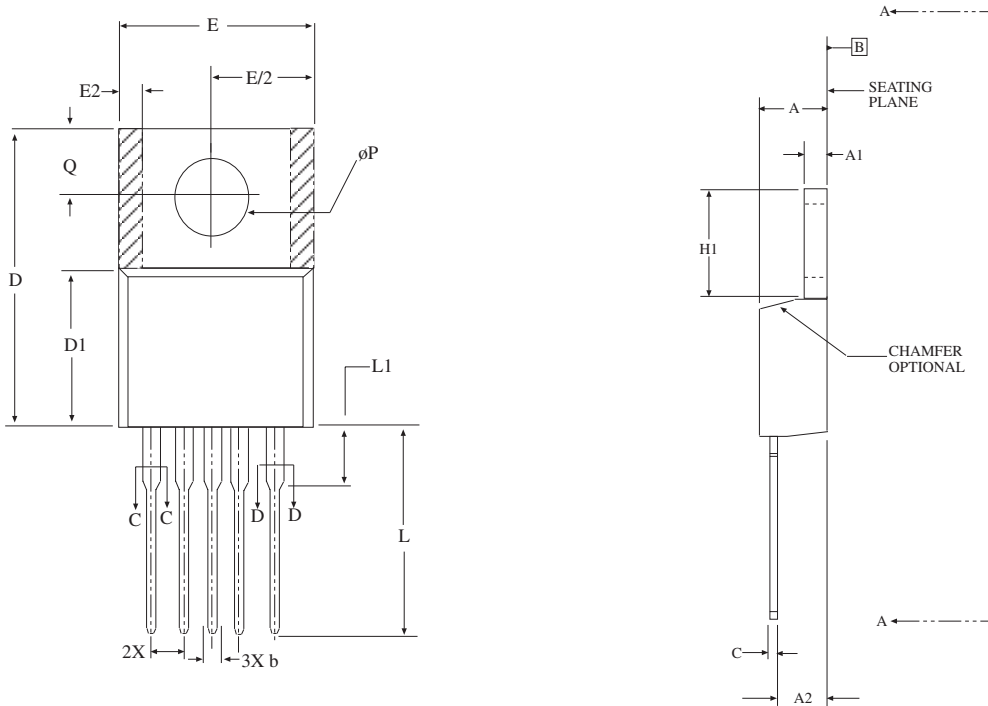


**3 PIN SOT-223**

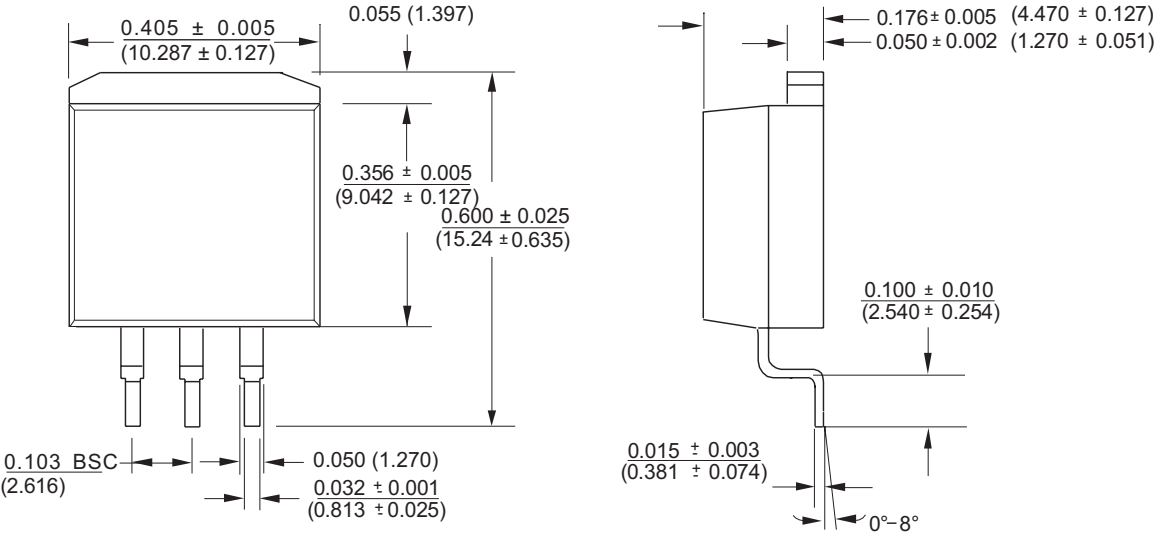


- NOTES**
1. Refer To Applicable Symbol List.
  2. Dimensions And Tolerancing Per Ansi Y14.5m - 1982.
  3. Lead Dimension Uncontrolled In L<sub>3</sub>
  4. Tab Contour Optional Within Dim. b<sub>2</sub> & L<sub>2</sub> And E<sub>1</sub> & D<sub>1</sub>
  5. D<sub>1</sub> & E<sub>1</sub> Establishes A Minimum Mounting Surface for Terminal 4.
  6. L is the Termal Length for Soldering.
  7. Controlling Dimension: Inch
  8. 2 Mils Suggested For Postive Contact At Mounting.

| SYMBOL | INCHES |       | MM    |        | NOTE |
|--------|--------|-------|-------|--------|------|
|        | MIN.   | MAX.  | MIN.  | MAX.   |      |
|        | A      | 0.086 | 0.094 | 2.184  |      |
| A1     | 0.035  | 0.045 | 0.889 | 1.143  |      |
| b      | 0.025  | 0.035 | 0.635 | 0.889  |      |
| b1     | 0.300  | 0.045 | 7.620 | 1.143  |      |
| b2     | 0.205  | 0.215 | 5.207 | 5.461  | 4    |
| c      | 0.018  | 0.023 | 0.457 | 0.5842 |      |
| c1     | 0.018  | 0.023 | 0.457 | 0.5842 |      |
| D      | 0.235  | 0.245 | 5.969 | 6.223  |      |
| D1     | 0.170  | -     | 4.318 | -      | 4,5  |
| E      | 0.250  | 0.265 | 6.350 | 6.731  |      |
| E1     | 0.170  | -     | 4.318 | -      | 4,5  |
| e      |        | 0.098 |       | 2.489  |      |
| e1     |        | 0.180 |       | 4.572  |      |
| H      | 0.370  | 0.410 | 9.398 | 10.414 |      |
| L      | 0.020  | -     | 0.508 | -      | 6    |
| L1     | 0.025  | 0.040 | 0.635 | 1.016  |      |
| L2     | 0.035  | 0.050 | 0.889 | 1.270  | 4    |
| L3     | 0.045  | 0.060 | 1.143 | 1.524  | 3    |



| Dimensions in (mm) | 3 PIN TO-220<br>JEDEC TO-220<br>(AB) Variation |      |      |
|--------------------|--|------|------|
|                    | MIN  | NOM  | MAX  |
| A                  | .140   | -    | .190 |
| A1                 | .020   | -    | .055 |
| A2                 | .080   | -    | .115 |
| b                  | .015   | .027 | .040 |
| b1                 | .015   | -    | .038 |
| b2                 | .045   | -    | .070 |
| b3                 | .045   | -    | .068 |
| c                  | .014   | -    | .024 |
| c1                 | .014   | -    | .022 |
| D                  | .560   | -    | .650 |
| D1                 | .330   | -    | .355 |
| D2                 | .480   | -    | .507 |
| E                  | .380   | -    | .420 |
| E1                 | .270   | -    | .350 |
| E2                 | -  | -    | .030 |
| e                  | .100 BSC                                       |      |      |
| e1                 | .200 BSC                                       |      |      |
| N                  |  | 4    |      |
| H1                 | .230   | -    | .270 |
| L1                 | -  | -    | .250 |
| L2                 | -  | -    | -    |
| ΔP                 | .139   | -    | .161 |
| Q                  | .100   | -    | .135 |



| <b>PART NUMBER</b>      | <b>ACC.</b> | <b>OUTPUT VOLTAGE</b> | <b>PACKAGE</b> |
|-------------------------|-------------|-----------------------|----------------|
| SPX1117M3 .....         | 1% .....    | Adj .....             | 3 Pin SOT-223  |
| SPX1117M3/TR .....      | 1% .....    | Adj .....             | 3 Pin SOT-223  |
| SPX1117M3-1.5 .....     | 1% .....    | 1.5V .....            | 3 Pin SOT-223  |
| SPX1117M3-1.5/TR .....  | 1% .....    | 1.5V .....            | 3 Pin SOT-223  |
| SPX1117M3-1.8 .....     | 1% .....    | 1.8V .....            | 3 Pin SOT-223  |
| SPX1117M3-1.8/TR .....  | 1% .....    | 1.8V .....            | 3 Pin SOT-223  |
| SPX1117M3-2.5 .....     | 1% .....    | 2.5V .....            | 3 Pin SOT-223  |
| SPX1117M3-2.5/TR .....  | 1% .....    | 2.5V .....            | 3 Pin SOT-223  |
| SPX1117M3-2.85 .....    | 1% .....    | 2.85V .....           | 3 Pin SOT-223  |
| SPX1117M3-2.85/TR ..... | 1% .....    | 2.85V .....           | 3 Pin SOT-223  |
| SPX1117M3-3.0 .....     | 1% .....    | 3.0V .....            | 3 Pin SOT-223  |
| SPX1117M3-3.0/TR .....  | 1% .....    | 3.0V .....            | 3 Pin SOT-223  |
| SPX1117M3-3.3 .....     | 1% .....    | 3.3V .....            | 3 Pin SOT-223  |
| SPX1117M3-3.3/TR .....  | 1% .....    | 3.3V .....            | 3 Pin SOT-223  |
| SPX1117M3-5.0 .....     | 1% .....    | 5.0V .....            | 3 Pin SOT-223  |
| SPX1117M3-5.0/TR .....  | 1% .....    | 5.0V .....            | 3 Pin SOT-223  |
| SPX1117R .....          | 1% .....    | Adj .....             | 3 Pin TO-252   |
| SPX1117R/TR .....       | 1% .....    | Adj .....             | 3 Pin TO-252   |
| SPX1117R-1.5 .....      | 1% .....    | 1.5V .....            | 3 Pin TO-252   |
| SPX1117R-1.5/TR .....   | 1% .....    | 1.5V .....            | 3 Pin TO-252   |
| SPX1117R-1.8 .....      | 1% .....    | 1.8V .....            | 3 Pin TO-252   |
| SPX1117R-1.8/TR .....   | 1% .....    | 1.8V .....            | 3 Pin TO-252   |
| SPX1117R-2.5 .....      | 1% .....    | 2.5V .....            | 3 Pin TO-252   |
| SPX1117R-2.5/TR .....   | 1% .....    | 2.5V .....            | 3 Pin TO-252   |
| SPX1117R-2.85 .....     | 1% .....    | 2.85V .....           | 3 Pin TO-252   |
| SPX1117R-2.85/TR .....  | 1% .....    | 2.85V .....           | 3 Pin TO-252   |
| SPX1117R-3.0 .....      | 1% .....    | 3.0V .....            | 3 Pin TO-252   |
| SPX1117R-3.0/TR .....   | 1% .....    | 3.0V .....            | 3 Pin TO-252   |
| SPX1117R-3.3 .....      | 1% .....    | 3.3V .....            | 3 Pin TO-252   |
| SPX1117R-3.3/TR .....   | 1% .....    | 3.3V .....            | 3 Pin TO-252   |

Available in lead free packaging. To order add "-L" suffix to part number.  
 Example: SPX1117M3-5.0/TR = standard; SPX1117M3-L-5.0/TR = lead free

/TR = Tape and Reel

Pack quantity is 500 for TO-263, 2,000 for TO-252, and 2,500 for SOT223.



**ANALOG EXCELLENCE**

**Headquarters and  
 Sales Office**  
 233 South Hillview Drive  
 Milpitas, CA 95035  
 TEL: (408) 934-7500  
 FAX: (408) 935-7600

Sipex Corporation reserves the right to make changes to any products described herein. Sipex does not assume any liability arising out of the application or use of any product or circuit described herein; neither does it convey any license under its patent rights nor the rights of others.

| <b>PART NUMBER</b>     | <b>ACC.</b> | <b>OUTPUT VOLTAGE</b> | <b>PACKAGE</b> |
|------------------------|-------------|-----------------------|----------------|
| SPX1117T .....         | 1% .....    | Adj .....             | 3 Pin TO-263   |
| SPX1117T/TR .....      | 1% .....    | Adj .....             | 3 Pin TO-263   |
| SPX1117T-1.5 .....     | 1% .....    | 1.5V .....            | 3 Pin TO-263   |
| SPX1117T-1.5/TR .....  | 1% .....    | 1.5V .....            | 3 Pin TO-263   |
| SPX1117T-1.8 .....     | 1% .....    | 1.8V .....            | 3 Pin TO-263   |
| SPX1117T-1.8/TR .....  | 1% .....    | 1.8V .....            | 3 Pin TO-263   |
| SPX1117T-2.5 .....     | 1% .....    | 2.5V .....            | 3 Pin TO-263   |
| SPX1117T-2.5/TR .....  | 1% .....    | 2.5V .....            | 3 Pin TO-263   |
| SPX1117T-2.85 .....    | 1% .....    | 2.85V .....           | 3 Pin TO-263   |
| SPX1117T-2.85/TR ..... | 1% .....    | 2.85V .....           | 3 Pin TO-263   |
| SPX1117T-3.0 .....     | 1% .....    | 3.0V .....            | 3 Pin TO-263   |
| SPX1117T-3.0/TR .....  | 1% .....    | 3.0V .....            | 3 Pin TO-263   |
| SPX1117T-3.3 .....     | 1% .....    | 3.3V .....            | 3 Pin TO-263   |
| SPX1117T-3.3/TR .....  | 1% .....    | 3.3V .....            | 3 Pin TO-263   |
| SPX1117U .....         | 1% .....    | Adj .....             | 3 Pin TO220    |
| SPX1117U-1.5 .....     | 1% .....    | 1.5V .....            | 3 Pin TO220    |
| SPX1117U-1.8 .....     | 1% .....    | 1.8V .....            | 3 Pin TO220    |
| SPX1117U-2.5 .....     | 1% .....    | 2.5V .....            | 3 Pin TO220    |
| SPX1117U-2.85 .....    | 1% .....    | 2.85V .....           | 3 Pin TO220    |
| SPX1117U-3.0 .....     | 1% .....    | 3.0V .....            | 3 Pin TO220    |
| SPX1117U-3.3 .....     | 1% .....    | 3.3V .....            | 3 Pin TO220    |

Available in lead free packaging. To order add "-L" suffix to part number.

Example: SPX1117M3-5.0/TR = standard; SPX1117M3-L-5.0/TR = lead free

/TR = Tape and Reel

Pack quantity is 500 for TO-263, 2,000 for TO-252, and 2,500 for SOT223.



**Sipex Corporation**

**Headquarters and  
Sales Office**

233 South Hillview Drive  
Milpitas, CA 95035  
TEL: (408) 934-7500  
FAX: (408) 935-7600