



# TSH22

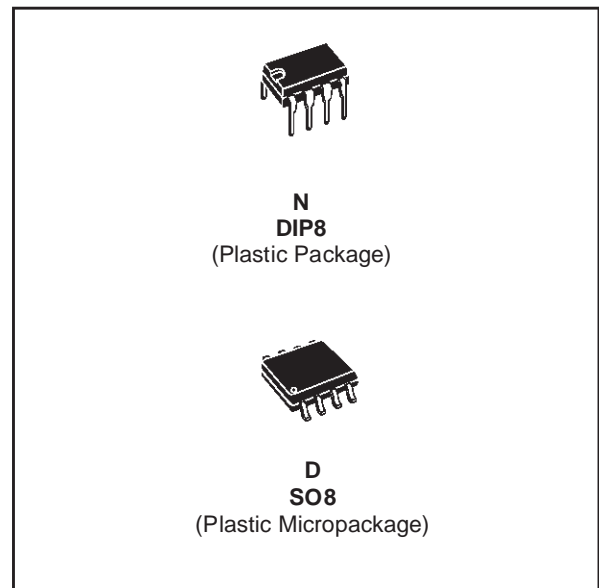
## HIGH PERFORMANCE DUAL BIPOLAR OPERATIONAL AMPLIFIER

- HIGH GAIN BANDWIDTH PRODUCT : **25MHz**
- HIGH SLEW RATE : **15V/μs**
- SINGLE OR DUAL SUPPLY OPERATION : **3V TO 30V** ( $\pm 1.5V$  to  $\pm 15V$ )
- LOW VOLTAGE NOISE : **14nV/√Hz**
- NO PHASE INVERSION
- ESD TOLERANCE : 2kV
- LATCH-UP IMMUNITY
- **SPICE MACROMODEL** INCLUDED IN THIS SPECIFICATION

### DESCRIPTION

The TSH22 is a dual bipolar operational amplifier offering a single supply operation from 3V to 30V with very good performances : medium speed (25MHz), unity gain stability and low noise.

The TSH22 is therefore an enhanced replacement of standard dual operational amplifiers.

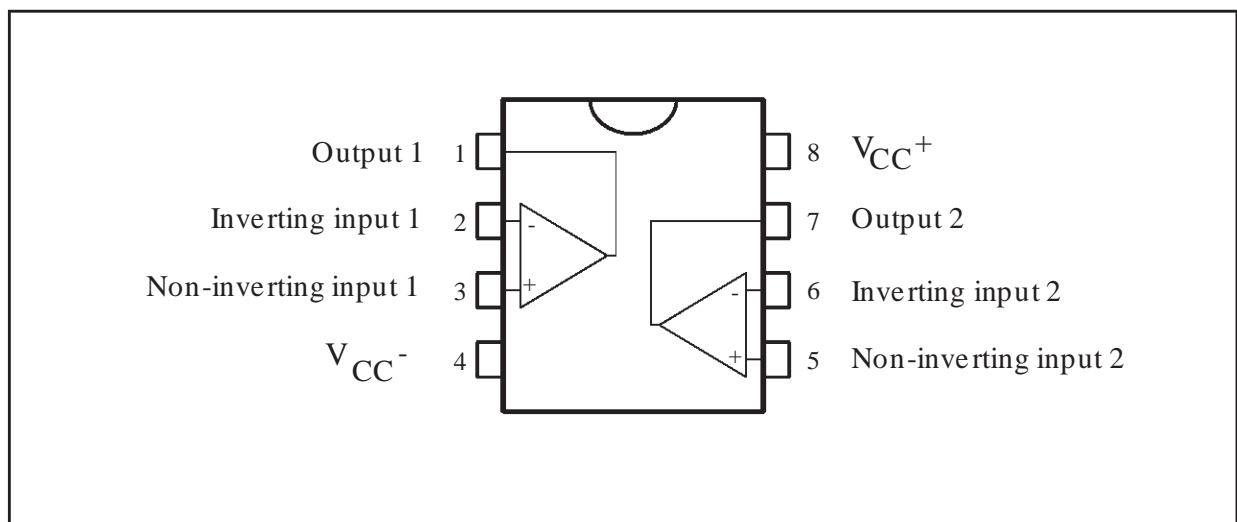


### ORDER CODE

| Part Number | Temperature Range | Package |   |
|-------------|-------------------|---------|---|
|             |                   | N       | D |
| TSH22I      | -40°C, +125°C     | •       | • |

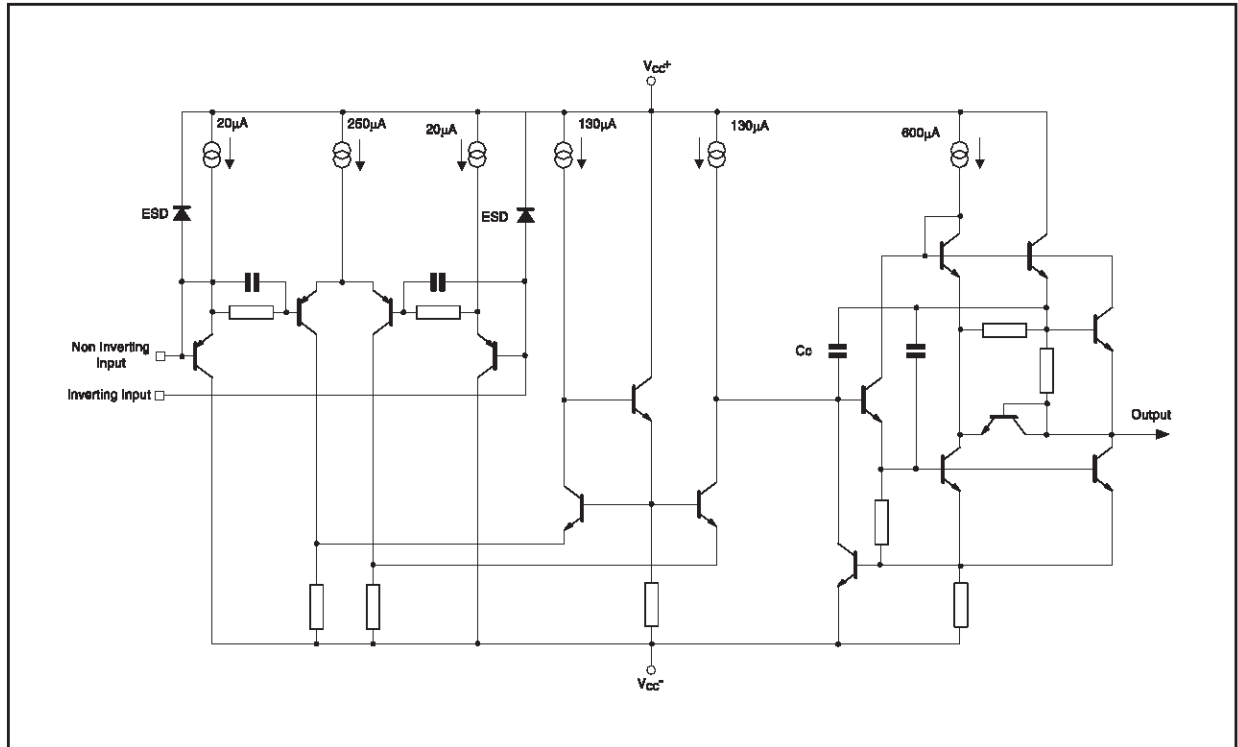
N = Dual in Line Package (DIP)  
D = Small Outline Package (SO) - also available in Tape & Reel (DT)

### PIN CONNECTIONS (top view)



## TSH22

### SCHEMATIC DIAGRAM (1/2 TSH22)



### ABSOLUTE MAXIMUM RATINGS

| Symbol     | Parameter                                   | Value          | Unit |
|------------|---|----------------|------|
| $V_{CC}$   | Supply Voltage                              | $\pm 18$ to 36 | V    |
| $V_{id}$   | Differential Input Voltage <sup>1)</sup>    | $\pm 36$       | V    |
| $V_i$      | Input Voltage (see note 1)                  | $\pm 18$       | V    |
|            | Output Short-circuit Duration <sup>2)</sup> | Infinite       |      |
| $T_{oper}$ | Operating Free-Air Temperature Range        | -40 to +125    | °C   |
| $T_j$      | Maximum Junction Temperature                | +150           | °C   |
| $T_{stg}$  | Storage Temperature Range                   | -65 to +150    | °C   |
| $P_{tot}$  | Maximum Power Dissipation (see note 2)      | 500            | mW   |

1. Either or both input voltages must not exceed the magnitude of  $V_{CC}^+$  or  $V_{CC}^-$
2. Power dissipation must be considered to ensure maximum junction temperature ( $T_j$ ) is not exceeded

### OPERATING CONDITIONS

| Symbol   | Parameter      | Value   | Unit |
|----------|----------------|---------|------|
| $V_{CC}$ | Supply Voltage | 3 to 30 | V    |

**ELECTRICAL CHARACTERISTICS**
 $V_{CC}^+ = 15V$ ,  $V_{CC}^- = -15V$ ,  $T_{amb} = 25^\circ C$  (unless otherwise specified)

| Symbol          | Parameter   | Min.                | Typ.                                 | Max.                  | Unit                   |
|-----------------|---|---------------------|--------------------------------------|-----------------------|------------------------|
| $V_{io}$        | Input Offset Voltage ( $V_{ic} = 0V$ , $V_o = 0V$ )<br>$V_{CC}^+ = +15V$ , $V_{CC}^- = -15V$<br>$T_{min} \leq T_{amb} \leq T_{max}$<br>$V_{CC}^+ = +5V$ , $V_{CC}^- = 0V$   |                     |                                      | 2.5<br>3.5<br>2.5     | mV                     |
| $\Delta V_{io}$ | Input Offset Voltage Drift ( $V_{ic} = 0V$ , $V_o = 0V$ )   |                     | 2                                    |                       | $\mu V/^\circ C$       |
| $I_{io}$        | Input Offset Current ( $V_{ic} = 0V$ , $V_o = 0V$ )   |                     | 3                                    | 65                    | nA                     |
| $I_{ib}$        | Input Bias Current ( $V_{ic} = 0V$ , $V_o = 0V$ )   |                     | 100                                  | 650                   | nA                     |
| $V_{icm}$       | Common Mode Input Voltage Range   |                     | $V_{CC}^-$ to<br>$V_{CC}^+ - 1.8V$   |                       | V                      |
| $A_{vd}$        | Large Signal Voltage Gain ( $R_L = 2k\Omega$ , $V_o = 0V$ to $+10V$ )<br>$T_{min} \leq T_{amb} \leq T_{max}$  | 32<br>20            | 100                                  |                       | V/mV                   |
| $\pm V_{opp}$   | Output Voltage Swing ( $V_{id} = \pm 1V$ )<br>$V_{CC}^+ = +15V$ , $V_{CC}^- = -15V$ $R_L = 2k\Omega$ $V_{OH}$<br>$V_{OL}$<br>$R_L = 10k\Omega$ $V_{OH}$<br>$V_{OL}$<br>$V_{CC}^+ = +5V$ , $V_{CC}^- = 0V$ $R_L = 2k\Omega$ $V_{OH}$<br>$V_{OL}$ | 13.4<br>13.4<br>3.7 | 13.9<br>-13.9<br>14<br>-14.7<br>0.15 | -13.5<br>-14.1<br>0.2 | V                      |
| $I_o$           | Output Short Circuit Current<br>( $V_{id} = \pm 1V$ , $V_o = 0V$ )<br>Source<br>Sink  | 25<br>25            | 37<br>37                             |                       | mA                     |
| CMR             | Common Mode Rejection Ratio ( $V_{ic} = -15V$ to $+13.2V$ )   | 80                  | 100                                  |                       | dB                     |
| SVR             | Supply Voltage Rejection Ratio<br>$V_{CC}^+/V_{CC}^- = +15V/-15V$ to $+5V/-5V$  | 90                  | 105                                  |                       | dB                     |
| $I_{cc}$        | Supply Current ( $V_o = 0V$ , no load, each amplifier)<br>$V_{CC}^+ = +15V$ , $V_{CC}^- = -15V$<br>$T_{min} \leq T_{amb} \leq T_{max}$<br>$V_{CC}^+ = +5V$ , $V_{CC}^- = 0V$  |                     | 2.15                                 | 2.75<br>3<br>2.75     | mA                     |
| SR              | Slew Rate<br>( $V_i = -10V$ to $+10V$ , $C_L = 100pF$ , $R_L = 2k\Omega$ , $A_V = +1$ )   | 8                   | 15                                   |                       | V/ $\mu s$             |
| GBP             | Gain Bandwidth Product ( $f = 100kHz$ , $R_L = 2k\Omega$ , $C_L = 100pF$ )  | 17                  | 25                                   |                       | MHz                    |
| B               | Unity Gain Bandwidth (Open loop)  |                     | 5                                    |                       | MHz                    |
| $\phi_m$        | Phase Margin<br>$R_L = 2k\Omega$<br>$R_L = 2k\Omega$ , $C_L = 100pF$  |                     | 50<br>40                             |                       | Degrees                |
| $e_n$           | Equivalent Input Noise Voltage ( $R_S = 100\Omega$ , $f = 1kHz$ )   |                     | 14                                   |                       | $\frac{nV}{\sqrt{Hz}}$ |
| $V_{o1}/V_{o2}$ | Channel Separation ( $f = 20Hz$ to $20kHz$ )  |                     | 120                                  |                       | dB                     |
| THD             | Total Harmonic Distortion<br>( $V_{CC} = \pm 15V$ , $f = 1kHz$ , $A_{VCL} = 20dB$ , $R_L = 600\Omega$ , $V_o = 3V_{rms}$ )  |                     | 0.003                                |                       | %                      |

## TSH22

### MACROMODEL

\*\* Standard Linear Ics Macromodels, 1993.

CONNECTIONS :

\* 1 INVERTING INPUT

\* 2 NON-INVERTING INPUT

\* 3 OUTPUT

\* 4 POSITIVE POWER SUPPLY

\* 5 NEGATIVE POWER SUPPLY

.SUBCKT TSH22 1 3 2 4 5 (analog)

\*\*\*\*\*

\*

.MODEL MDTH D IS=1E-8 KF=7.976636E-15

CJO=10F

\* INPUT STAGE

CIP 2 5 1.200000E-11

CIN 1 5 1.200000E-11

EIP 10 5 2 5 1

EIN 16 5 1 5 1

RIP 10 11 1.083333E+00

RIN 15 16 1.083333E+00

RIS 11 15 8.942641E+00

DIP 11 12 MDTH 400E-12

DIN 15 14 MDTH 400E-12

VOFP 12 13 DC 0

VOFN 13 14 DC 0

IPOL 13 5 2.400000E-04

CPS 11 15 10.5E-09

DINN 17 13 MDTH 400E-12

VIN 17 5 -0.200000E+00

DINR 15 18 MDTH 400E-12

VIP 4 18 1.800000E+00

FCP 4 5 VOFP 7.750000E+00

FCN 5 4 VOFN 7.750000E+00

FIBP 2 5 VOFN 5.000000E-04

FIBN 5 1 VOFP 5.000000E-04

\* AMPLIFYING STAGE

FIP 5 19 VOFP 6.708333E+02

FIN 5 19 VOFN 6.708333E+02

GVNEG 5 19 5 13 1.395908E-05

GVPOS 5 19 4 13 1.395908E-05

RG1 19 5 8.056996E+04

RG2 19 4 8.056996E+04

CC 19 29 1.100000E-08

HZTP 30 29 VOFP 6.545046E+01

HZTN 5 30 VOFN 6.545046E+01

DOPM 19 22 MDTH 400E-12

DONM 21 19 MDTH 400E-12

HOPM 22 28 VOUT 4.054054E+03

VIPM 28 4 1.500000E+02

HONM 21 27 VOUT 4.054054E+03

VINM 5 27 1.500000E+02

RPM1 5 80 1E+06

RPM2 4 80 1E+06

GAVPH 5 82 19 80 6.00E-07

RAVPHGH 82 4 3333222

RAVPHGB 82 5 3333222

RAVPHDH 82 83 1000000

RAVPHDB 82 84 1000000

CAVPHH 4 83 0.12243E-12

CAVPHB 5 84 0.12243E-12

EOUT 26 23 82 5 1

VOUT 23 5 0

ROUT 26 3 2.472597E+01

COUT 3 5 1.000000E-12

DOP 19 25 MDTH 400E-12

VOP 4 25 1.824860E+00

DON 24 19 MDTH 400E-12

VON 24 5 1.824860E+00

.ENDS

### ELECTRICAL CHARACTERISTICS

$V_{cc} = \pm 15V$ ,  $T_{amb} = 25^\circ C$  (unless otherwise specified)

| Symbol       | Conditions                       | Value         | Unit       |
|--------------|----------------------------------|---------------|------------|
| $V_{id}$     |                                  | 0             | mV         |
| $A_{vd}$     | $R_L = 2k\Omega$                 | 100           | dB         |
| $I_{cc}$     | No load, per operator            | 2             | mA         |
| $V_{icm}$    |                                  | -15.2 to 13.8 | V          |
| $V_{OH}$     | $R_L = 2k\Omega$                 | +13.9         | V          |
| $V_{OL}$     | $R_L = 2k\Omega$                 | -13.9         | V          |
| $I_{sink}$   | $V_o = 0V$                       | 40            | mA         |
| $I_{source}$ | $V_o = 0V$                       | 40            | mA         |
| GBP          | $R_L = 2k\Omega$ , $C_L = 100pF$ | 34            | MHz        |
| SR           | $R_L = 2k\Omega$ , $C_L = 100pF$ | 10            | V/ $\mu s$ |
| $\phi_m$     | $R_L = 2k\Omega$ , $C_L = 100pF$ | 36            | Degrees    |
| $\phi_m$     | $R_L = 2k\Omega$ , $C_L = 300pF$ | 26            | Degrees    |

APPLICATIONS INFORMATION

TSH22 IN COMPARATOR APPLICATION

The TSH22 is a dual high performances operational amplifier featuring speed of 30MHz and single supply operation from 3V to 30V.

Most of operational amplifiers are not suited for comparator use because of low transition speed, output signal incompatible with standard logics level and mainly, phase inversion.

The phase inversion occurs when a strong differential signal is applied to the device inputs. The output level is then inverted and shows a wrong logic state. TSH22 does not present this problematic behaviour.

Displayed curves below show the device response in standard comparator configuration without external components.

Transition speed : Typical transition speed under a single 5V supply voltage is about 2µs from 50mV overdrive.  $V_{OH}$  min. is 3.7V and  $V_{OL}$  max. is 0.2V (2kΩ load) making it compatible with standard logic families.

Figures 3 & 4 show output signal transition for a 50mV and 250mV input signal overdrive respectively of 3µs and 1µs.

Figure 1 : Basic comparator application

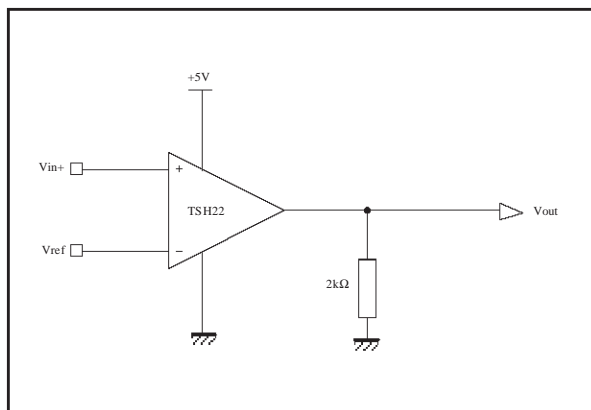


Figure 2 : Operating conditions

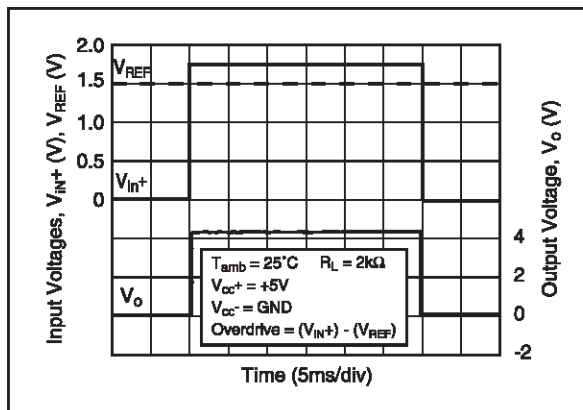


Figure 3 : Transition speed @ 50mV overdrive

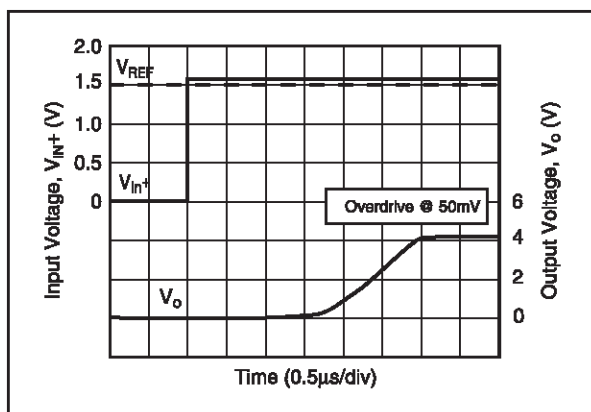
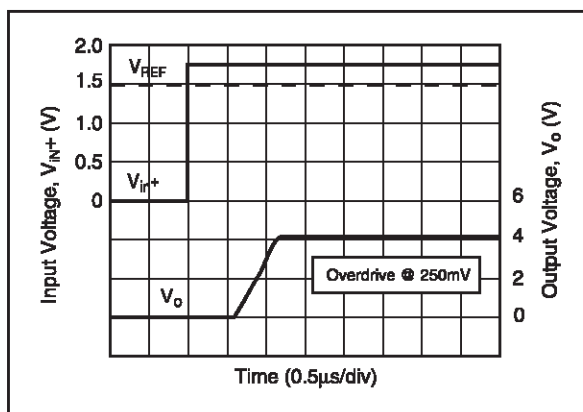


Figure 4 : Transition speed @ 250mV overdrive



## TSH22

### PHASE INVERSION

At high differential input voltage, the TSH22 keeps the right output level thanks to its specific input structures.

The advantage is obvious on the following figures and can be also an advantage in linear use when saturation might occur.

**Figure 5** : Behaviour with TSH22

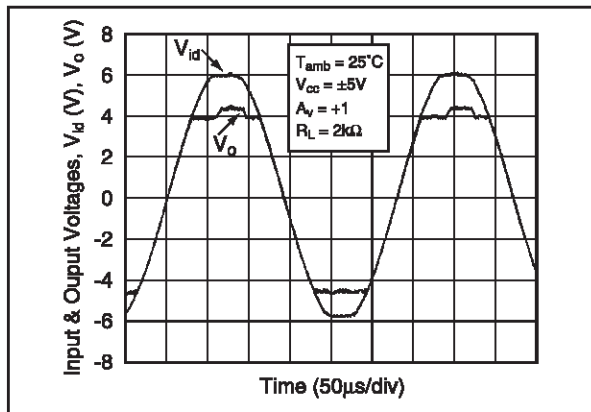
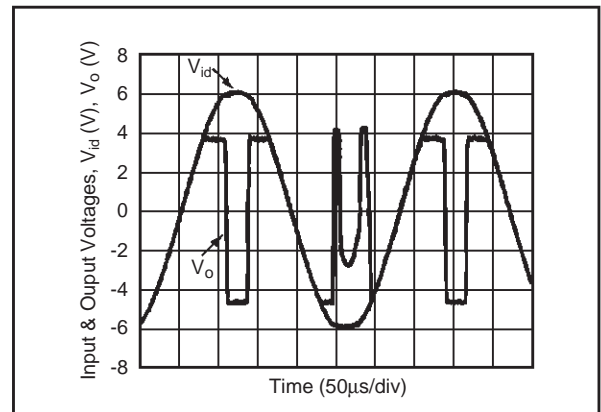
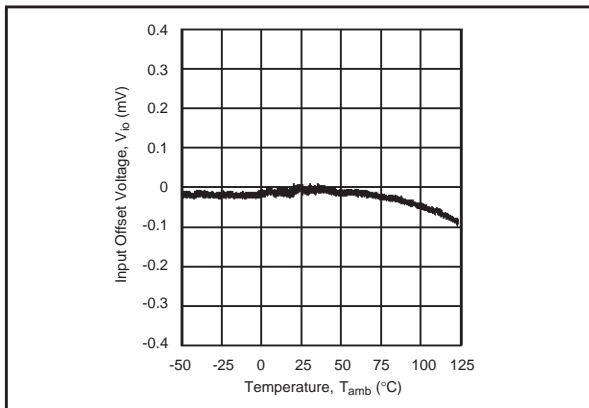


Figure 5 & 6 show the behaviour in follower stage with saturation output of TSH22 versus 15MHz standard operational amplifier.

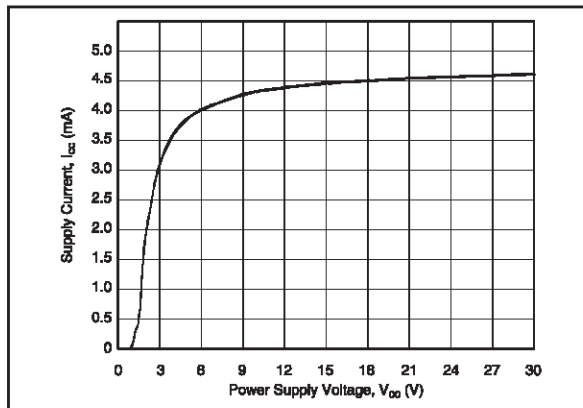
**Figure 6** : Saturation behaviour with 15MHz standard operational amplifier



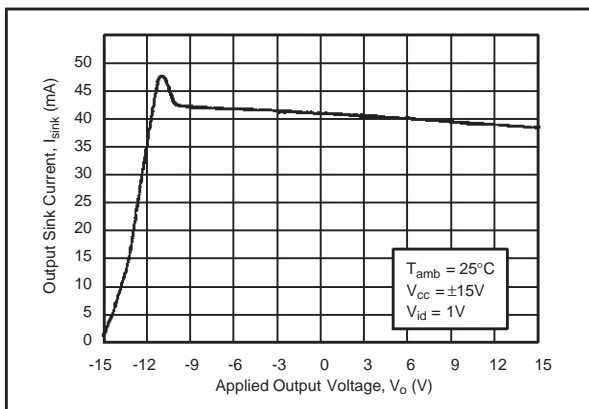
**INPUT OFFSET VOLTAGE DRIFT VERSUS TEMPERATURE**



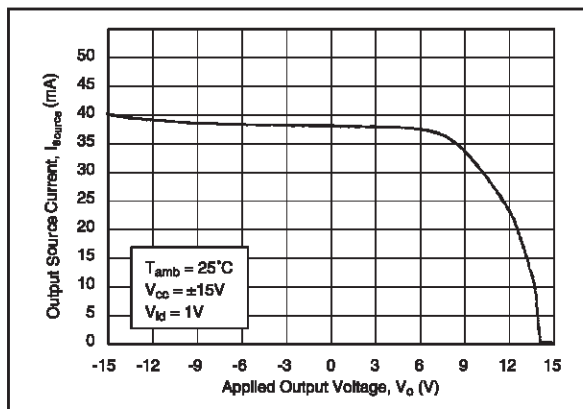
**SUPPLY CURRENT VERSUS SUPPLY VOLTAGE (BOTH OP-AMPS)**



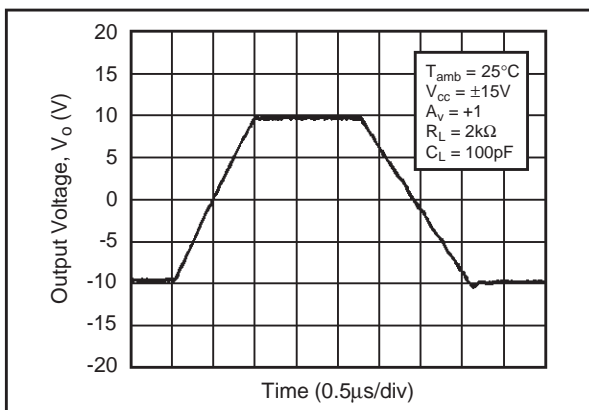
**SINK CURRENT**



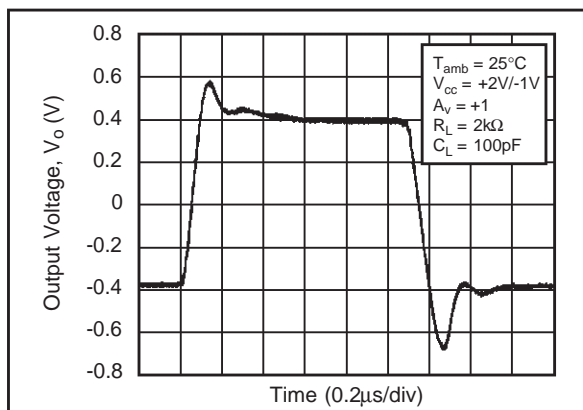
**SOURCE CURRENT**



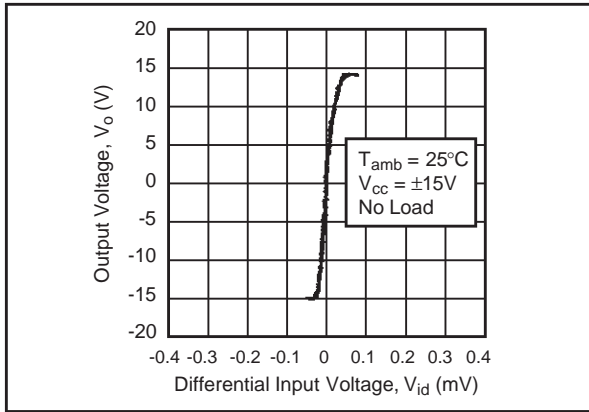
**SLEW RATE @ 30V**



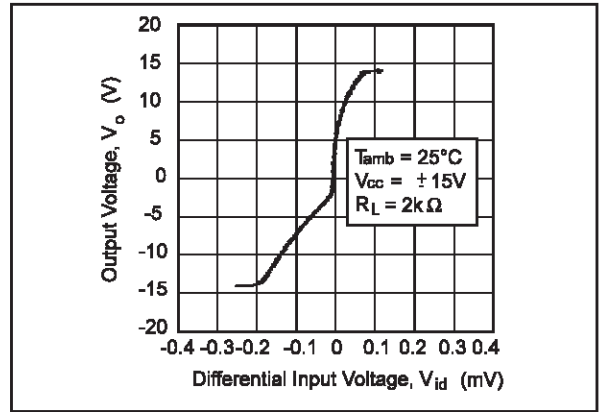
**SLEW RATE @ 3V**



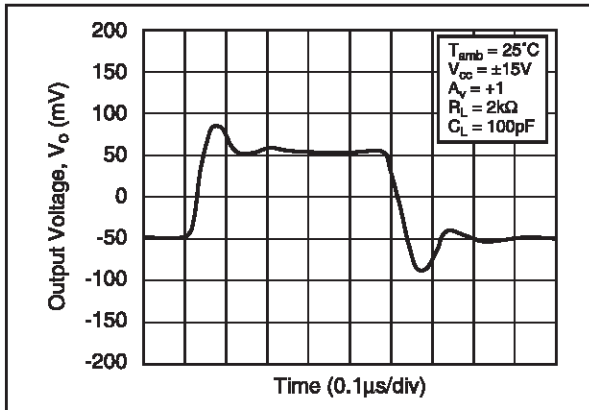
LARGE SIGNAL VOLTAGE GAIN @ NO LOAD



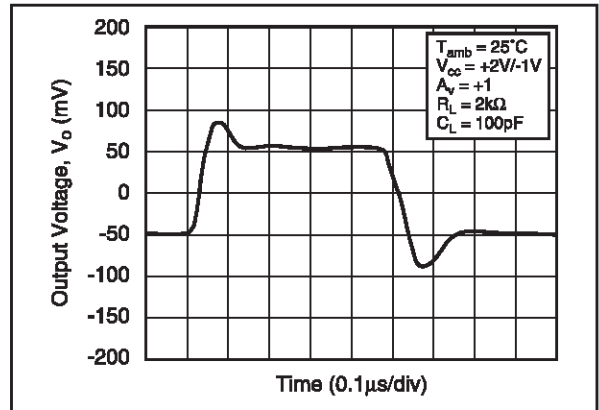
LARGE SIGNAL VOLTAGE GAIN @ LOAD



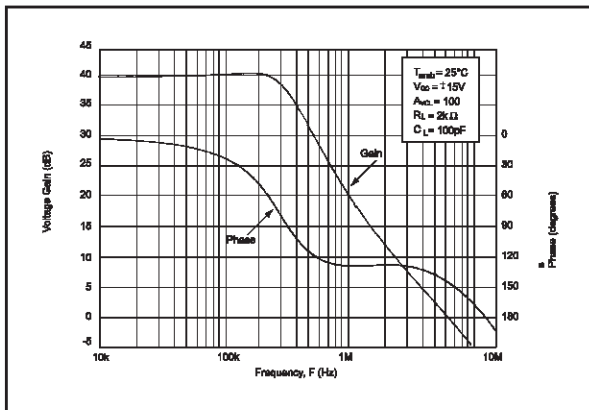
SMALL SIGNAL RESPONSE @ 30V



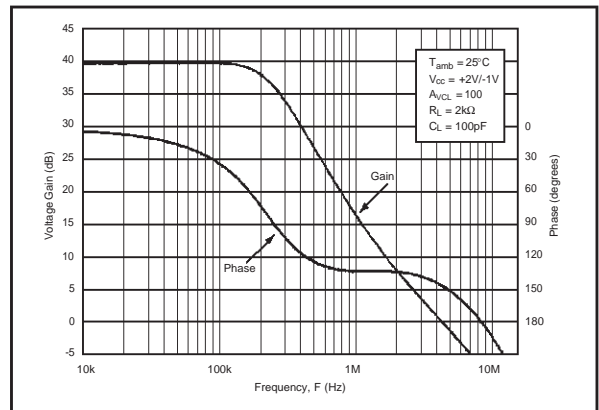
SMALL SIGNAL RESPONSE @ 3V



UNITY GAIN BANDWIDTH @ 30V

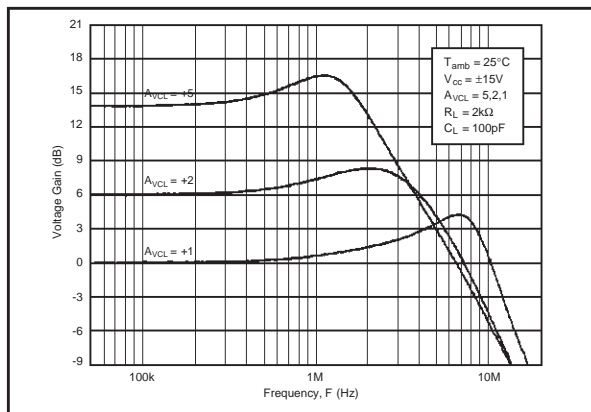


UNITY GAIN BANDWIDTH @ 3V

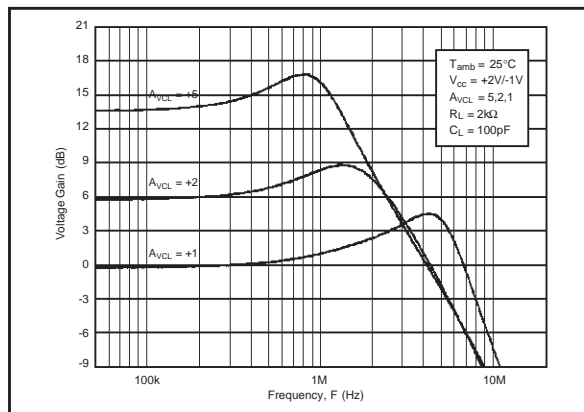




## CLOSED LOOP BANDWIDTH @ 30V

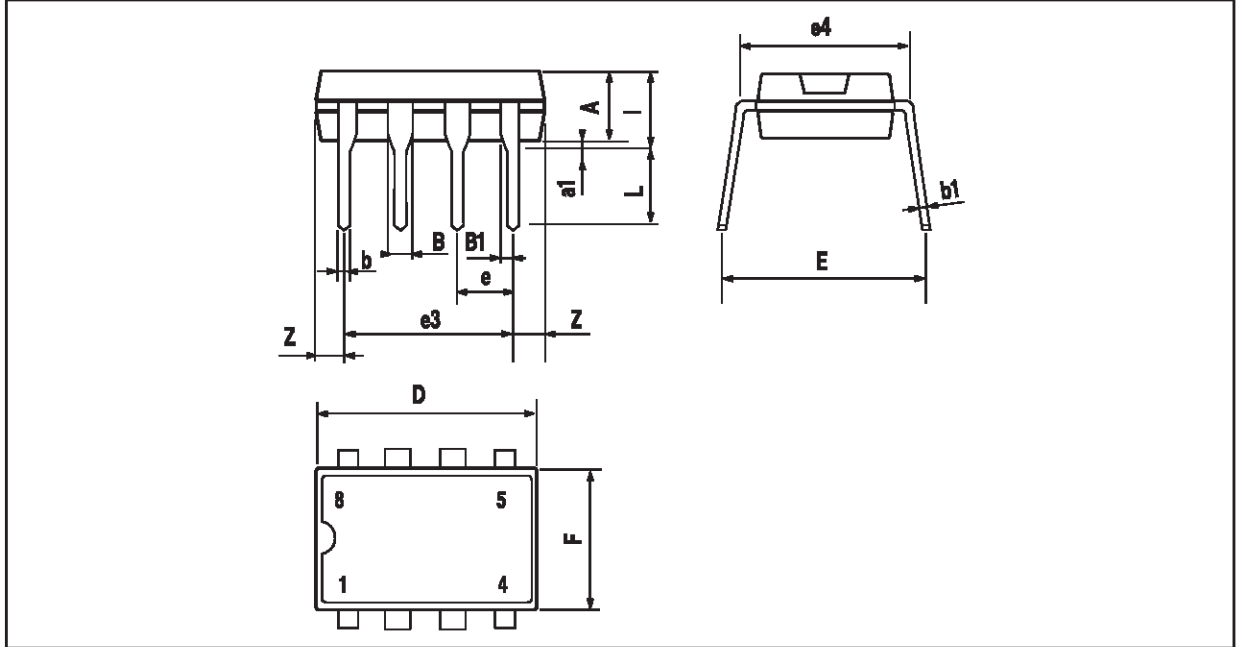


## CLOSED LOOP BANDWIDTH @ 3V



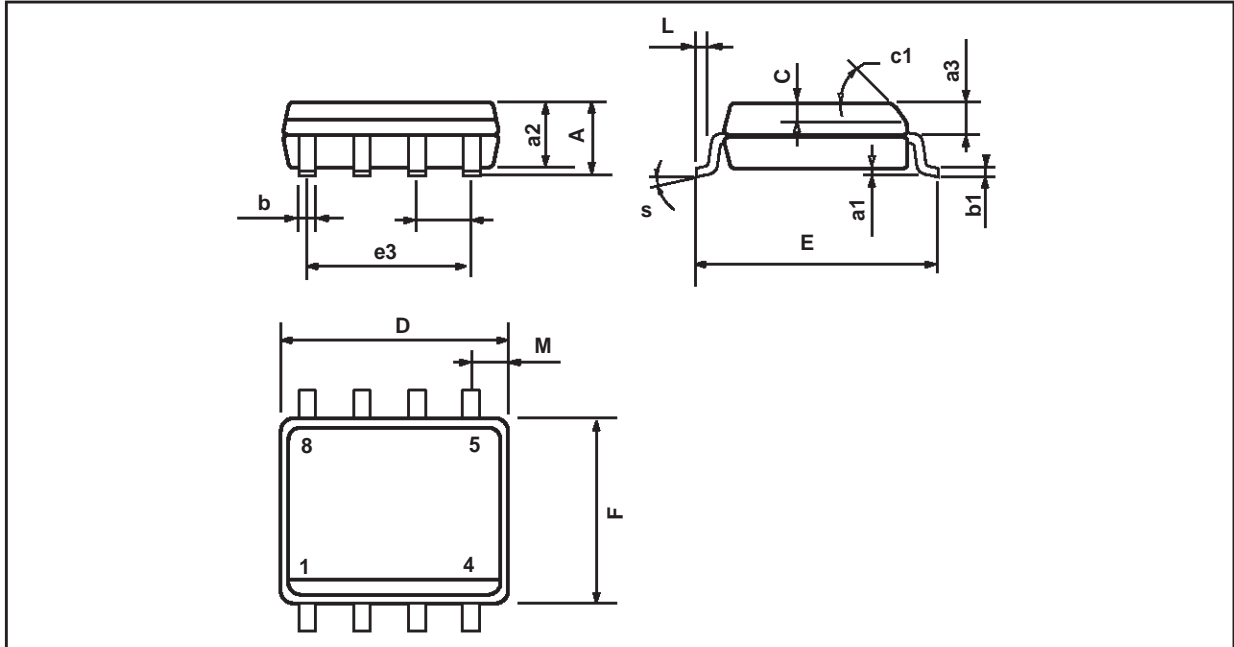
# TSH22

## PACKAGE MECHANICAL DATA 8 PINS - PLASTIC DIP



| Dim. | Millimeters |      |       | Inches |       |       |
|------|-------------|------|-------|--------|-------|-------|
|      | Min.        | Typ. | Max.  | Min.   | Typ.  | Max.  |
| A    |             | 3.32 |       |        | 0.131 |       |
| a1   | 0.51        |      |       | 0.020  |       |       |
| B    | 1.15        |      | 1.65  | 0.045  |       | 0.065 |
| b    | 0.356       |      | 0.55  | 0.014  |       | 0.022 |
| b1   | 0.204       |      | 0.304 | 0.008  |       | 0.012 |
| D    |             |      | 10.92 |        |       | 0.430 |
| E    | 7.95        |      | 9.75  | 0.313  |       | 0.384 |
| e    |             | 2.54 |       |        | 0.100 |       |
| e3   |             | 7.62 |       |        | 0.300 |       |
| e4   |             | 7.62 |       |        | 0.300 |       |
| F    |             |      | 6.6   |        |       | 0.260 |
| i    |             |      | 5.08  |        |       | 0.200 |
| L    | 3.18        |      | 3.81  | 0.125  |       | 0.150 |
| Z    |             |      | 1.52  |        |       | 0.060 |

**PACKAGE MECHANICAL DATA**  
8 PINS - PLASTIC MICROPACKAGE (SO)



| Dim. | Millimeters |      |      | Inches |       |       |
|------|-------------|------|------|--------|-------|-------|
|      | Min.        | Typ. | Max. | Min.   | Typ.  | Max.  |
| A    |             |      | 1.75 |        |       | 0.069 |
| a1   | 0.1         |      | 0.25 | 0.004  |       | 0.010 |
| a2   |             |      | 1.65 |        |       | 0.065 |
| a3   | 0.65        |      | 0.85 | 0.026  |       | 0.033 |
| b    | 0.35        |      | 0.48 | 0.014  |       | 0.019 |
| b1   | 0.19        |      | 0.25 | 0.007  |       | 0.010 |
| C    | 0.25        |      | 0.5  | 0.010  |       | 0.020 |
| c1   | 45° (typ.)  |      |      |        |       |       |
| D    | 4.8         |      | 5.0  | 0.189  |       | 0.197 |
| E    | 5.8         |      | 6.2  | 0.228  |       | 0.244 |
| e    |             | 1.27 |      |        | 0.050 |       |
| e3   |             | 3.81 |      |        | 0.150 |       |
| F    | 3.8         |      | 4.0  | 0.150  |       | 0.157 |
| L    | 0.4         |      | 1.27 | 0.016  |       | 0.050 |
| M    |             |      | 0.6  |        |       | 0.024 |
| S    | 8° (max.)   |      |      |        |       |       |

Information furnished is believed to be accurate and reliable. However, STMicroelectronics assumes no responsibility for the consequences of use of such information nor for any infringement of patents or other rights of third parties which may result from its use. No license is granted by implication or otherwise under any patent or patent rights of STMicroelectronics. Specifications mentioned in this publication are subject to change without notice. This publication supersedes and replaces all information previously supplied. STMicroelectronics products are not authorized for use as critical components in life support devices or systems without express written approval of STMicroelectronics.

© The ST logo is a registered trademark of STMicroelectronics

© 2001 STMicroelectronics - Printed in Italy - All Rights Reserved  
STMicroelectronics GROUP OF COMPANIES

Australia - Brazil - Canada - China - Finland - France - Germany - Hong Kong - India - Israel - Italy - Japan - Malaysia  
Malta - Morocco - Singapore - Spain - Sweden - Switzerland - United Kingdom - United States

© <http://www.st.com>