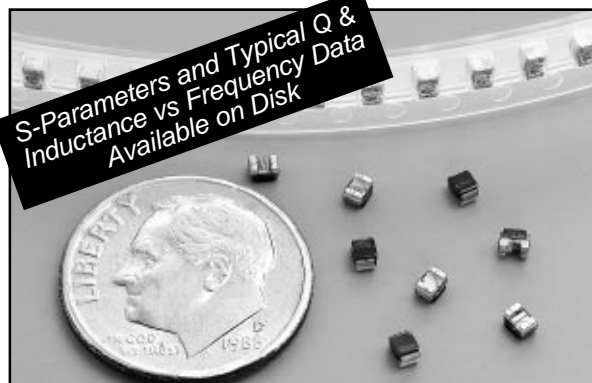


0805CX MINIATURE RF CHIP INDUCTORS

Designed for Wireless Products

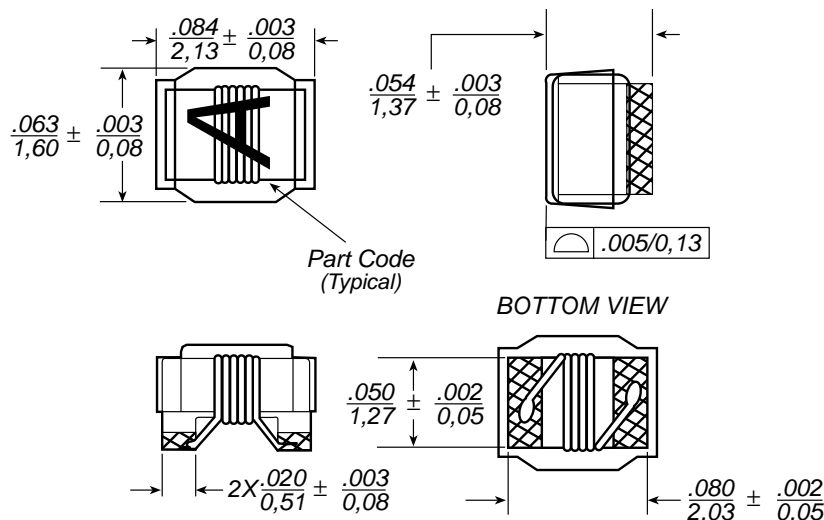


- ☑ Wirewound ceramic core construction
- ☑ High Q values & self-resonant frequency
- ☑ Tin/lead or gold terminations
- ☑ Industry standard 0805 (2012) surface mount land pattern

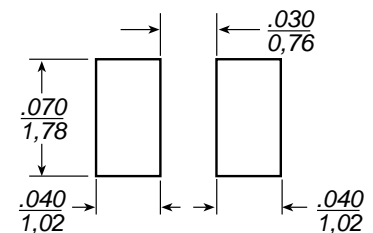
Electrical Specifications @ 25°C

Part Number	Inductance ⁽¹⁾ (nH)	Standard Tolerance	Optional Tolerance	Q ⁽²⁾ (MIN)	SRF Min ⁽³⁾ (MHz)	R _{DC} ⁽⁴⁾ (MAX)	I _{DC} ⁽⁵⁾ (mA MAX)	Part Code
PE-0805CX030KTT	3.3 @ 250 MHz	± 10% (K)	± 5% (J)	37 @ 1500 MHz	5000	0.060	600	A
PE-0805CX060KTT	6.8 @ 250 MHz	± 10% (K)	± 5% (J)	46 @ 1000 MHz	5000	0.150	600	B
PE-0805CX080KTT	8.2 @ 250 MHz	± 10% (K)	± 5% (J)	47 @ 1000 MHz	3900	0.130	600	C
PE-0805CX120KTT	12 @ 250 MHz	± 10% (K)		50 @ 500 MHz	2900	0.130	600	D
PE-0805CX150KTT	15 @ 250 MHz	± 10% (K)	± 5% (J)	50 @ 500 MHz	2700	0.150	600	E
PE-0805CX180KTT	18 @ 250 MHz	± 10% (K)		50 @ 500 MHz	2600	0.130	600	F
PE-0805CX220KTT	22 @ 250 MHz	± 10% (K)	± 5% (J)	55 @ 500 MHz	2200	0.130	500	G
PE-0805CX270KTT	27 @ 250 MHz	± 10% (K)		55 @ 500 MHz	2000	0.230	500	H
PE-0805CX330KTT	33 @ 250 MHz	± 10% (K)	± 5% (J)	58 @ 500 MHz	1800	0.180	500	J
PE-0805CX390KTT	39 @ 250 MHz	± 10% (K)		60 @ 500 MHz	1600	0.230	500	K
PE-0805CX470KTT	47 @ 200 MHz	± 10% (K)	± 5% (J)	60 @ 500 MHz	1650	0.250	500	L
PE-0805CX560KTT	56 @ 200 MHz	± 10% (K)	± 5% (J)	60 @ 500 MHz	1300	0.160	500	M
PE-0805CX680KTT	68 @ 200 MHz	± 10% (K)	± 5% (J)	60 @ 500 MHz	1350	0.180	500	N
PE-0805CX820KTT	82 @ 150 MHz	± 10% (K)	± 5% (J)	60 @ 500 MHz	1300	0.360	400	O
PE-0805CX101KTT	100 @ 150 MHz	± 10% (K)	± 5% (J)	55 @ 500 MHz	1100	0.360	400	P
PE-0805CX121KTT	120 @ 150 MHz	± 10% (K)		45 @ 250 MHz	1100	0.560	350	R
PE-0805CX151KTT	150 @ 100 MHz	± 10% (K)	± 5% (J)	50 @ 250 MHz	900	0.560	350	S
PE-0805CX181KTT	180 @ 100 MHz	± 10% (K)		50 @ 250 MHz	875	0.690	300	T
PE-0805CX221KTT	220 @ 100 MHz	± 10% (K)	± 5% (J)	45 @ 250 MHz	800	0.850	300	U

Mechanicals



Suggested SMD Pad Layout



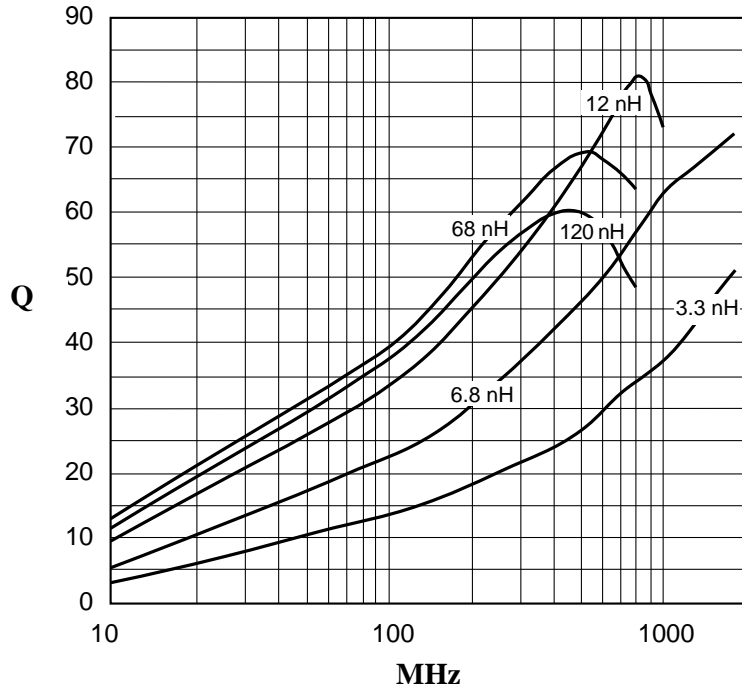
Weight 0.012 grams
Tape & Reel 2000/reel
Dimensions: $\frac{\text{Inches}}{\text{mm}}$
Unless otherwise specified
all tolerances are $\pm \frac{.010}{0,25}$

0805CX MINIATURE RF CHIP INDUCTORS

Designed for Wireless Products



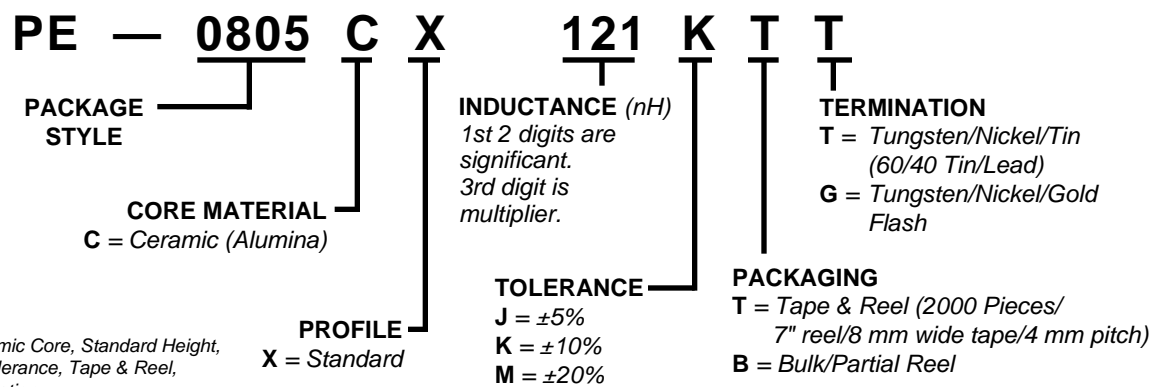
Typical Q vs Frequency



Notes

1. Inductance measured using a HP4191A RF Impedance Analyzer.
2. Q measured using a HP4291A RF Impedance Analyzer with a HP16193A Test Fixture.
3. SRF measured using a HP8753C Network Analyzer.
4. R_{DC} measured using a Valhalla Scientific model 4100 ATC Digital Ohmmeter.
5. Based on a 15°C maximum temperature rise.
6. Sample Kit Part Number: PE-0805CXKIT.
7. S-parameters and Q & inductance vs. frequency information available on 3.5" disk. Please request AN944-1.

Part Number Legend



EXAMPLE: 0805 Size, Ceramic Core, Standard Height, 120 nH, 10% Tolerance, Tape & Reel, Tin/Lead Termination

For More Information :

Corporate
12220 World Trade Drive
San Diego, CA 92128
Tel: 619 674 8100
FAX: 619 674 8262
<http://www.pulseeng.com>
Quick-Facts: 619 674 9672

Europe
Dunmore Road
Tuam
County Galway
Ireland
Tel: 353 93 24107
FAX: 353 93 24459

Asia
Block 3027
Ubi Road 1
#03-120
Singapore 408720
Tel: 65 741 5227
FAX: 65 741 3013

Distributor

Performance warranty of products offered on this data sheet is limited to the parameters specified. Data is subject to change without notice.