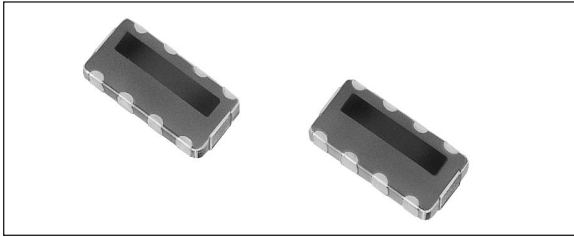


KNA Series

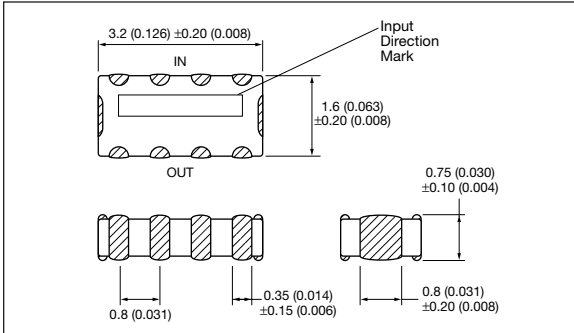


FEATURES

- Disturbed constant type LC filter. Prevents ringing caused by circuit impedance. Suitable for high speed digital circuits and visual line circuits.
- Stable noise attenuation over wide frequency ranges.
- Low profile (H=1.0mm max.) suitable for miniature electronic equipment.
- First class auto-placement

DIMENSIONS

millimeters (inches)



APPLICATIONS

- PCs, laser printers, cellular phone, clock data lines for LCD display
 - High speed video signal circuits and interface circuits
 - High speed digital circuits
 - Anti-noise solution
- Achieves effective noise suppression in noisy high speed circuits without signal waveform distortion

HOW TO ORDER

KNA - 32 050 - W 3

Quantity Per Reel

3 = 3,000 pcs

Taping Direction (See Table 1)

W = Standard X = Option

Frequency

050 = 50MHz 100 = 100MHz 200 = 200MHz

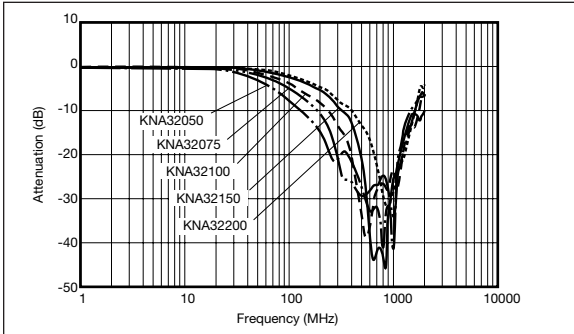
*Frequency at Attenuation typical 3dB, Max 6dB

Size EIA (EIAJ)

32 = 1206 (3216)

Series

FREQUENCY CHARACTERISTICS



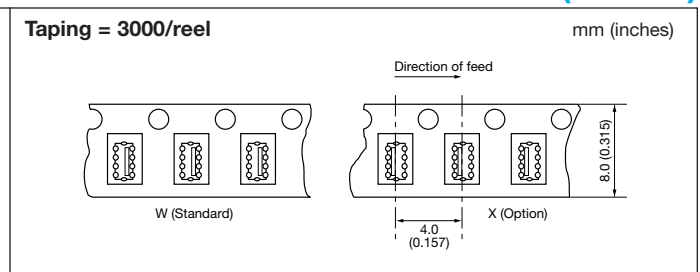
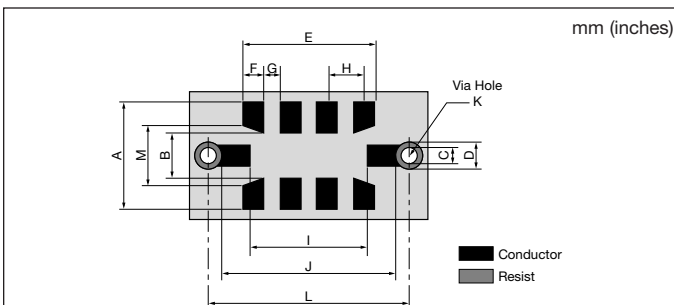
SPECIFICATIONS

Part Number	Cut Off Frequency (MHz)	Capacitance (+50/-20%) (pF)	20dB Attenuation (Typical)	Rated Current (mA)	Rated Voltage (VDC)
KNA32050	50MHz	115pF	350 - 850 MHz	100mA	25VDC
KNA32075	75MHz	82pF	400 - 900 MHz	100mA	25VDC
KNA32100	100MHz	65pF	450 - 950 MHz	100mA	25VDC
KNA32150	150MHz	45pF	600 - 1100 MHz	100mA	25VDC
KNA32200	200MHz	35pF	700 - 1200 MHz	100mA	25VDC

Operating temperature = -25 to 85(°C)

RECOMMENDED LAND PATTERN

PACKAGING SPECIFICATION (Table 1)



CODE	A	B	C	D	E	F	G	H	I	J	K	L	M
DIMENSION	2.20 (0.087)	1.00 (0.039)	0.40 (0.016)	0.60 (0.024)	2.80 (0.110)	0.40 (0.016)	0.40 (0.016)	0.80 (0.031)	2.60 (0.102)	3.80 (0.150)	0.30-0.40 (0.012-0.016)	4.20 (0.165)	1.30 (0.051)