

0.8 μ A Low Power Consumption Voltage Regulator with ON/OFF Switch

GENERAL DESCRIPTION

The XC6215 series are highly precise, low noise, positive voltage LDO regulators manufactured using CMOS processes. The series achieves very low supply current, 0.8 μ A (TYP.) and consists of a reference voltage source, an error amplifier, a current foldback circuit, and a phase compensation circuit plus a driver transistor.

Ultra small packages USP-3, USP-4, and SSOT-24, and small package SOT-25 packages make high density mounting possible. Therefore, the series is ideal for applications where high density mounting is required such as in mobile phones.

Output voltage is selectable in 0.1V increments within a range of 0.9V ~ 5.0V by laser trimming

The series is also compatible with low ESR ceramic capacitors, which give added output stability.

The current limiter's foldback circuit also operates as a short protect for the output current limiter and the output pin.

Furthermore, the CE function allows the output of the regulator to be turned off, resulting in greatly reduced power consumption.

APPLICATIONS

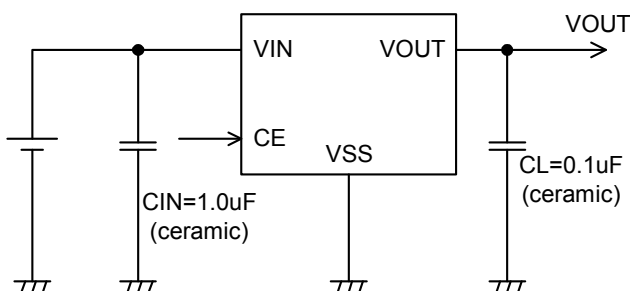
- Mobile phones
- Cordless phones, wireless communication equipment
- Portable games
- Cameras, Video recorders
- Portable AV equipment
- PDA's

FEATURES

- Maximum Output Current** : 200mA (300mA Limit, TYP.)
@ $V_{OUT}=3.0V$, $V_{IN}=4.0V$
- Dropout Voltage** : 320mV @ $I_{OUT} = 100mA$
@ $V_{OUT} = 3.0V$
- Operating Input Voltage** : 1.5V ~ 6.0V
- Output Voltage Range** : 0.9V ~ 5.0V (0.1V Increments)
- Highly Accurate** : Set voltage accuracy $\pm 2\%$
($1.5V < V_{OUT(T)} \leq 5.0V$)
Set voltage accuracy $\pm 30mV$
($0.9V \leq V_{OUT(T)} \leq 1.5V$)
- Low Power Consumption** : 0.8 μ A (TYP.)
- Stand-by Current** : Less than 0.1 μ A
- Operating Temperature Range** : - 40 ~ 85
- Low ESR Capacitor Compatible** : Ceramic capacitor
- Current Limiter Circuit Built-In**
- Small Packages** : USP-4
SSOT-24
USP-3
(For the XC6215P series only)
SOT-25

TYPICAL APPLICATION CIRCUIT

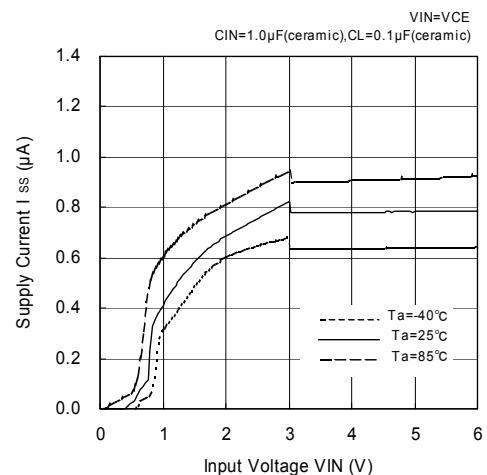
USP-4, SSOT-24, SOT-25 packages
(For the USP-3 package, with no CE pin)



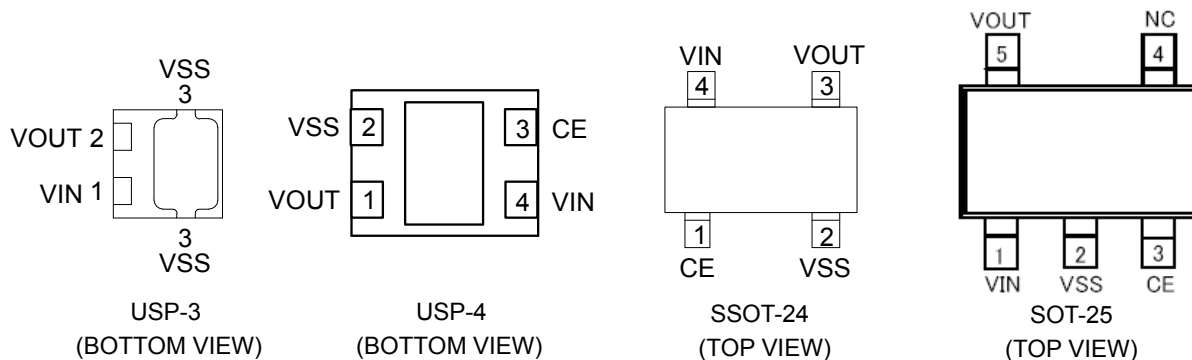
TYPICAL PERFORMANCE CHARACTERISTICS

Supply Current vs. Input Voltage

XC6215x302



PIN CONFIGURATION



* For mounting intensity and heat dissipation, please refer to recommended mounting pattern and recommended metal mask when soldering the pad of USP-4. Mounting should be electrically isolated or connected to the VSS (No.2) pin.

PIN ASSIGNMENT

| PIN NUMBER | | | | PIN NAME | FUNCTION |
|------------|-------|---------|--------|----------|-----------------|
| USP-4 | USP-3 | SSOT-24 | SOT-25 | | |
| 4 | 1 | 4 | 1 | VIN | Power Supply |
| 2 | 3 | 2 | 2 | VSS | Ground |
| 3 | - | 1 | 3 | CE | ON / Off Switch |
| 1 | 2 | 3 | 5 | VOUT | Output |
| - | - | - | 4 | NC | No Connection |

PRODUCT CLASSIFICATION

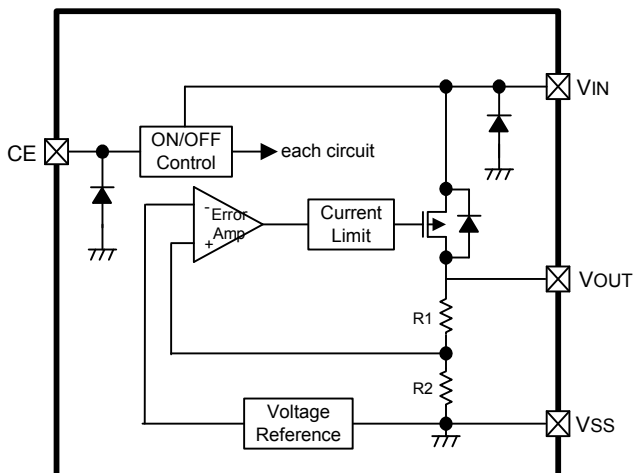
Ordering Information

XC6215

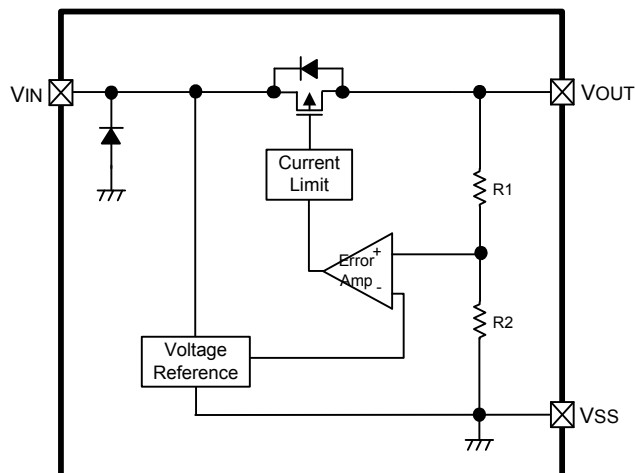
| DESIGNATOR | DESCRIPTION | SYMBOL | DESCRIPTION |
|------------|-------------------------|---------|--|
| | Type of Regulator | B | : CE logic = High active with no pull-down resistor |
| | | P | : 3 pin regulator with no CE pin (USP-3 only) |
| | Output Voltage | 09 ~ 50 | : 0.9 V ~ 5.0V, 100mV step e.g. VOUT=3.0V⇒ =3, =0 |
| | Output Voltage Accuracy | 2 | : ± 2 % accuracy e.g. VOUT=3.0V⇒ =3, =0, =2 |
| | Package | G | : USP-4 |
| | | N | : SSOT-24 |
| | | M | : SOT-25 |
| | | H | : USP-3 (for the XC6215P series only) |
| | Device Orientation | R | : Embossed tape, standard feed |
| | | L | : Embossed tape, reverse feed |

BLOCK DIAGRAMS

XC6215B Series



XC6215P Series



* Diodes shown in the above circuit are ESD protection diodes and parasitic diodes

ABSOLUTE MAXIMUM RATINGS

| PARAMETER | SYMBOL | RATINGS | UNITS | |
|-----------------------------|------------------|---|-------|-----|
| Input Voltage | V _{IN} | - 0.3 ~ + 7.0 | V | |
| Output Current | I _{OUT} | 500 (*1) | mA | |
| Output Voltage | V _{OUT} | V _{SS} - 0.3 ~ V _{IN} + 0.3 | V | |
| CE Input Voltage (*2) | V _{CE} | V _{SS} - 0.3 ~ + 7.0 | V | |
| Power Dissipation | SOT-25 | P _d | mW | |
| | SSOT-24 | | | 250 |
| | USP-4 | | | 150 |
| | USP-3 | | | 120 |
| Operating Temperature Range | T _{opr} | - 40 ~ + 85 | | |
| Storage Temperature Range | T _{stg} | - 55 ~ +125 | | |

Note:

*1: I_{OUT} = P_d / (V_{IN}-V_{OUT})

*2: Except for the XC6215P series

ELECTRICAL CHARACTERISTICS

XC6215B Series

Ta = 25

| PARAMETER | SYMBOL | CONDITIONS | MIN. | TYP. | MAX. | UNIT. | CIRCUIT |
|------------------------|---------------------|--|---------|------|------|-------|---------|
| Output Voltage (*2) | V _{OUT(E)} | V _{IN} =V _C E=V _{OUT(T)} (*1) + 1.0V, I _{OUT} =1mA | E-0(*6) | | | V | |
| Maximum Output Current | I _{OUTMAX} | V _{IN} =V _C E=V _{OUT(T)} + 1.0V V _{OUT(T)} =0.9V | 50 | 70 | - | mA | |
| | | V _{IN} =V _C E=V _{OUT(T)} + 1.0V V _{OUT(T)} =1.0V ~ 1.1V | 60 | 80 | - | | |
| | | V _{IN} =V _C E=V _{OUT(T)} + 1.0V V V _{OUT(T)} =1.2V ~ 1.3V | 80 | 110 | - | | |
| | | V _{IN} =V _C E=V _{OUT(T)} + 1.0V V _{OUT(T)} =1.4V ~ 1.6V | 100 | 140 | - | | |
| | | V _{IN} =V _C E=V _{OUT(T)} + 1.0V V _{OUT(T)} =1.7V ~ 2.2V | 120 | 150 | - | | |
| | | V _{IN} =V _C E=V _{OUT(T)} + 1.0V V _{OUT(T)} =2.3V ~ 2.9V | 150 | 195 | - | | |
| | | V _{IN} =V _C E=V _{OUT(T)} + 1.0V V _{OUT(T)} 3.0V | 200 | 300 | - | | |
| Load Regulation | ΔV _{OUT} | V _{IN} =V _C E=V _{OUT(T)} + 1.0V V _{OUT(T)} =0.9V 1mA I _{OUT} 50mA | - | 15 | 70 | mV | ① |
| | | V _{IN} =V _C E=V _{OUT(T)} + 1.0V V _{OUT(T)} = 1.0V ~ 1.1V 1mA I _{OUT} 60mA | | | | | |
| | | V _{IN} =V _C E=V _{OUT(T)} + 1.0V V _{OUT(T)} =1.2V~1.3V 1mA I _{OUT} 80mA | | | | | |
| | | V _{IN} =V _C E=V _{OUT(T)} + 1.0V V _{OUT(T)} 1.4V 1mA I _{OUT} 100mA | | | | | |
| Dropout Voltage (*3) | V _{dif} | V _C E=V _{IN} , V _{OUT(T)} =0.9V I _{OUT} =50mA | E-1(*6) | | | mV | ① |
| | | V _C E=V _{IN} , V _{OUT(T)} =1.0V ~ 1.1V I _{OUT} =60mA | | | | | |
| | | V _C E=V _{IN} , V _{OUT(T)} =1.2V ~ 1.3V I _{OUT} =80mA | | | | | |
| | | V _C E=V _{IN} , V _{OUT(T)} 1.4V I _{OUT} =100mA | | | | | |
| Supply Current | I _{DD} | V _{IN} =V _C E=V _{OUT(T)} + 1.0V V _{OUT(T)} 3.9V | - | 0.8 | 1.5 | μA | ② |
| | | V _{IN} =V _C E=V _{OUT(T)} + 1.0V V _{OUT(T)} 4.0V | - | 1.0 | 1.8 | | |
| Stand-by Current | I _{stby} | V _{IN} =V _{OUT(T)} + 1.0V, V _C E=V _{SS} | - | 0.01 | 0.10 | μA | ② |

ELECTRICAL CHARACTERISTICS (Continued)

XC6215B Series (Continued)

Ta = 25

| PARAMETER | SYMBOL | CONDITIONS | MIN. | TYP. | MAX. | UNIT. | CIRCUIT |
|---|---|--|-------|-------|------|-------|---------|
| Line Regulation | $\frac{\Delta V_{OUT}}{\Delta V_{IN} \cdot V_{OUT}}$ | V _{OUT(T)} =0.9V, V _{CE} =V _{IN} 1.5V V _{IN} 6.0V I _{OUT} =1mA | - | 0.05 | 0.15 | %V | |
| | | V _{OUT(T)} =1.0V~1.2V, V _{CE} =V _{IN} V _{OUT(T)} +0.5V V _{IN} 6.0V I _{OUT} =1mA | | | | | |
| | | V _{OUT(T)} 1.3V, V _{CE} =V _{IN} V _{OUT(T)} +0.5V V _{IN} 6.0V I _{OUT} =30mA | | | | | |
| Input Voltage | V _{IN} | - | 1.5 | - | 6.0 | V | - |
| Output Voltage Temperature Characteristics | $\frac{\Delta V_{OUT}}{\Delta T_{opr} \cdot V_{OUT}}$ | V _{IN} =V _{CE} =V _{OUT(T)} +1.0V, I _{OUT} =30mA - 40 ≤ T _{opr} ≤ 85 | - | ± 100 | - | ppm / | |
| Current Limit | I _{lim} | V _{OUT} =V _{OUT(E)} × 0.95 V _{OUT(T)} =0.9V V _{IN} =V _{CE} = V _{OUT(T)} +2.0V | 100 | 300 | - | mA | |
| | | V _{OUT} =V _{OUT(E)} × 0.95 V _{OUT(T)} =1.0V ~ 1.1V V _{IN} =V _{CE} = V _{OUT(T)} +2.0V | 120 | 300 | - | | |
| | | V _{OUT} =V _{OUT(E)} × 0.95 V _{OUT(T)} =1.2V ~ 1.3V V _{IN} =V _{CE} = V _{OUT(T)} +2.0V | 160 | 300 | - | | |
| | | V _{OUT} =V _{OUT(E)} × 0.95 V _{OUT(T)} =1.4V ~ 2.9V V _{IN} =V _{CE} = V _{OUT(T)} +2.0V | 200 | 300 | - | | |
| | | V _{OUT} =V _{OUT(E)} × 0.95 V _{OUT(T)} 3.0V V _{IN} =V _{CE} = V _{OUT(T)} +1.0V | 200 | 300 | - | | |
| Short Circuit Current | I _{short} | V _{IN} =V _{CE} =V _{OUT(T)} +1.0V, V _{OUT} =0V | - | 50 | - | mA | |
| CE 'H' Level Voltage | V _{CEH} | V _{IN} =V _{OUT(T)} +1.0V | 1.0 | - | 6.0 | V | |
| CE 'L' Level Voltage | V _{CEL} | V _{IN} =V _{OUT(T)} +1.0V | - | - | 0.3 | | |
| CE 'H' Level Current | I _{CEH} | V _{IN} =V _{CE} =V _{OUT(T)} +1.0V | - 0.1 | - | 0.1 | μA | |
| CE 'L' Level Current | I _{CEL} | V _{IN} =V _{OUT(T)} +1.0V, V _{CE} =V _{SS} | - 0.1 | - | 0.1 | | |

NOTE:

- *1: V_{OUT(T)}: Fixed output voltage
- *2: V_{OUT(E)} = Effective output voltage
(i.e. the output voltage when "V_{OUT(T)} + 1.0V" is provided at the V_{IN} pin while maintaining a certain I_{OUT} value).
- *3: V_{dif} = { V_{IN1}⁽⁴⁾ - V_{OUT1}⁽⁵⁾}
- *4: V_{IN1} = The input voltage when V_{OUT1} appears as input voltage is gradually decreased.
- *5: V_{OUT1} = A voltage equal to 98% of the output voltage whenever an amply stabilized I_{OUT} { V_{OUT(T)} + 1.0V } is input.
- *6: Refer to "VOLTAGE CHART".

ELECTRICAL CHARACTERISTICS (Continued)

XC6215P Series

Ta = 25

| PARAMETER | SYMBOL | CONDITIONS | MIN. | TYP. | MAX. | UNIT. | CIRCUIT |
|------------------------|---------------------|---|----------|------|------|-------|---------|
| Output Voltage (*2) | V _{OUT(E)} | V _{IN} =V _{OUT(T)} (*1) + 1.0V, I _{OUT} =1mA | E-0 (*6) | | | V | |
| Maximum Output Current | I _{OUTMAX} | V _{IN} =V _{OUT(T)} + 1.0V V _{OUT(T)} =0.9V | 50 | 70 | - | mA | |
| | | V _{IN} =V _{OUT(T)} + 1.0V V _{OUT(T)} =1.0V ~ 1.1V | 60 | 80 | - | | |
| | | V _{IN} =V _{OUT(T)} + 1.0V V _{OUT(T)} =1.2V ~ 1.3V | 80 | 110 | - | | |
| | | V _{IN} =V _{OUT(T)} + 1.0V V _{OUT(T)} =1.4V ~ 1.6V | 100 | 140 | - | | |
| | | V _{IN} =V _{OUT(T)} + 1.0V V _{OUT(T)} =1.7V ~ 2.2V | 120 | 150 | - | | |
| | | V _{IN} =V _{OUT(T)} + 1.0V V _{OUT(T)} =2.3V ~ 2.9V | 150 | 195 | - | | |
| | | V _{IN} =V _{OUT(T)} + 1.0V V _{OUT(T)} 3.0V | 200 | 300 | - | | |
| Load Regulation | ΔV _{OUT} | V _{IN} =V _{OUT(T)} + 1.0V V _{OUT(T)} =0.9V 1mA I _{OUT} 50mA | - | 15 | 70 | mV | ① |
| | | V _{IN} =V _{OUT(T)} + 1.0V V _{OUT(T)} = 1.0V~1.1V 1mA I _{OUT} 60mA | | | | | |
| | | V _{IN} =V _{OUT(T)} + 1.0V V _{OUT(T)} =1.2V~1.3V 1mA I _{OUT} 80mA | | | | | |
| | | V _{IN} =V _{OUT(T)} + 1.0V V _{OUT(T)} 1.4V 1mA I _{OUT} 100mA | | | | | |
| Dropout Voltage (*3) | V _{dif} | V _{OUT(T)} =0.9V I _{OUT} =50mA | E-1 (*6) | | | mV | ① |
| | | V _{OUT(T)} =1.0V ~ 1.1V I _{OUT} =60mA | | | | | |
| | | V _{OUT(T)} =1.2V ~ 1.3V I _{OUT} =80mA | | | | | |
| | | V _{OUT(T)} 1.4V I _{OUT} =100mA | | | | | |
| Supply Current | I _{DD} | V _{IN} =V _{OUT(T)} =1.0V V _{OUT(T)} 3.9V | - | 0.8 | 1.5 | μA | ② |
| | | V _{IN} = V _{OUT(T)} +1.0V V _{OUT(T)} 4.0V | - | 1.0 | 1.8 | | |

ELECTRICAL CHARACTERISTICS (Continued)

XC6215P Series (Continued)

Ta = 25

| PARAMETER | SYMBOL | CONDITIONS | MIN. | TYP. | MAX. | UNIT. | CIRCUIT |
|---|---|--|------|-------|------|-------|---------|
| Line Regulation | $\frac{\Delta V_{OUT}}{\Delta V_{IN} \cdot V_{OUT}}$ | V _{OUT(T)} =0.9V 1.5V V _{IN} 6.0V I _{OUT} =1mA | - | 0.05 | 0.15 | %V | |
| | | V _{OUT(T)} =1.0V~1.2V V _{OUT(T)} +0.5V V _{IN} 6.0V I _{OUT} =1mA | | | | | |
| | | V _{OUT(T)} 1.3V V _{OUT(T)} +0.5V V _{IN} 6.0V I _{OUT} =30mA | | | | | |
| Input Voltage | V _{IN} | - | 1.5 | - | 6.0 | V | - |
| Output Voltage Temperature Characteristics | $\frac{\Delta V_{OUT}}{\Delta T_{opr} \cdot V_{OUT}}$ | V _{IN} =V _{OUT(T)} +1.0V, I _{OUT} =30mA - 40 ≤ T _{opr} ≤ 85 | - | ± 100 | - | ppm / | |
| Current Limit | I _{lim} | V _{OUT} =V _{OUT(E)} × 0.95 V _{OUT(T)} =0.9V V _{IN} = V _{OUT(T)} +2.0V | 100 | 300 | - | mA | |
| | | V _{OUT} =V _{OUT(E)} × 0.95 V _{OUT(T)} =1.0V ~ 1.1V V _{IN} =V _{OUT(T)} +2.0V | 120 | 300 | - | | |
| | | V _{OUT} =V _{OUT(E)} × 0.95 V _{OUT(T)} =1.2V ~ 1.3V V _{IN} =V _{OUT(T)} +2.0V | 160 | 300 | - | | |
| | | V _{OUT} =V _{OUT(E)} × 0.95 V _{OUT(T)} =1.4V ~ 2.9V V _{IN} =V _{OUT(T)} +2.0V | 200 | 300 | - | | |
| | | V _{OUT} =V _{OUT(E)} × 0.95 V _{OUT(T)} 3.0V V _{IN} =V _{OUT(T)} +1.0V | 200 | 300 | - | | |
| Short Circuit Current | I _{short} | V _{IN} =V _{OUT(T)} +1.0V, V _{OUT} =0V | - | 50 | - | mA | |

NOTE:

*1: V_{OUT(T)}: Fixed output voltage

*2: V_{OUT(E)} = Effective output voltage

(i.e. the output voltage when "V_{OUT(T)} + 1.0V" is provided at the V_{IN} pin while maintaining a certain I_{OUT} value).

*3: V_{dif} = { V_{IN1} ⁽⁴⁾ - V_{OUT1} ⁽⁵⁾ }

*4: V_{IN1} = The input voltage when V_{OUT1} appears as input voltage is gradually decreased.

*5: V_{OUT1} = A voltage equal to 98% of the output voltage whenever an amply stabilized I_{OUT} { V_{OUT(T)} + 1.0V } is input.

*6: Refer to "VOLTAGE CHART".

VOLTAGE CHART

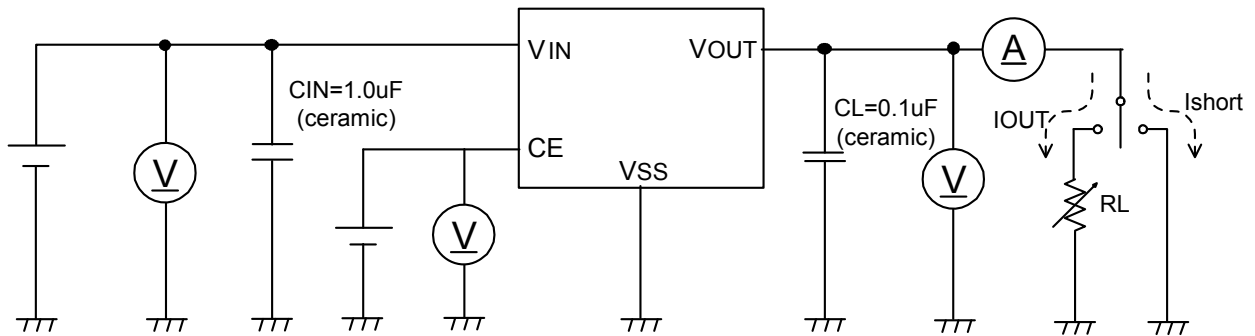
Dropout Voltage Chart

Ta = 25

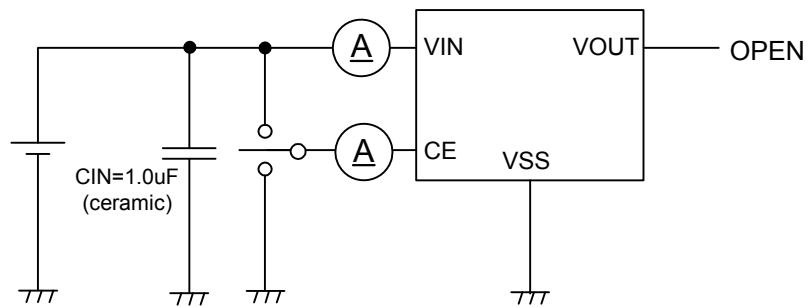
| SETTING OUTPUT VOLTAGE | E-0 | | E-1 | |
|---------------------------|-----------------------|-------|-------------------------|------|
| | OUTPUT VOLTAGE (V) | | DROPOUT VOLTAGE (mV) | |
| | V _{OUT} | | V _{dif} | |
| V _{OUT(T)} | MIN. | MAX. | TYP. | MAX. |
| 0.9 | 0.870 | 0.930 | 870 | 1000 |
| 1.0 | 0.970 | 1.030 | 860 | 1000 |
| 1.1 | 1.070 | 1.130 | 780 | 950 |
| 1.2 | 1.170 | 1.230 | 800 | 1000 |
| 1.3 | 1.270 | 1.330 | 720 | 900 |
| 1.4 | 1.370 | 1.430 | 750 | 960 |
| 1.5 | 1.470 | 1.530 | 700 | 890 |
| 1.6 | 1.568 | 1.632 | 680 | 860 |
| 1.7 | 1.666 | 1.734 | 650 | 830 |
| 1.8 | 1.764 | 1.836 | 630 | 800 |
| 1.9 | 1.862 | 1.938 | 610 | 780 |
| 2.0 | 1.960 | 2.040 | 580 | 740 |
| 2.1 | 2.058 | 2.142 | 580 | 740 |
| 2.2 | 2.156 | 2.244 | 580 | 740 |
| 2.3 | 2.254 | 2.346 | 510 | 650 |
| 2.4 | 2.352 | 2.448 | 510 | 650 |
| 2.5 | 2.450 | 2.550 | 450 | 580 |
| 2.6 | 2.548 | 2.652 | 450 | 580 |
| 2.7 | 2.646 | 2.754 | 450 | 580 |
| 2.8 | 2.744 | 2.856 | 450 | 580 |
| 2.9 | 2.842 | 2.958 | 450 | 580 |
| 3.0 | 2.940 | 3.060 | 320 | 420 |
| 3.1 | 3.038 | 3.162 | 320 | 420 |
| 3.2 | 3.136 | 3.264 | 320 | 420 |
| 3.3 | 3.234 | 3.366 | 320 | 420 |
| 3.4 | 3.332 | 3.468 | 320 | 420 |
| 3.5 | 3.430 | 3.570 | 320 | 420 |
| 3.6 | 3.528 | 3.672 | 320 | 420 |
| 3.7 | 3.626 | 3.774 | 320 | 420 |
| 3.8 | 3.724 | 3.876 | 320 | 420 |
| 3.9 | 3.822 | 3.978 | 320 | 420 |
| 4.0 | 3.920 | 4.080 | 290 | 380 |
| 4.1 | 4.018 | 4.182 | 290 | 380 |
| 4.2 | 4.116 | 4.284 | 290 | 380 |
| 4.3 | 4.214 | 4.386 | 290 | 380 |
| 4.4 | 4.312 | 4.488 | 290 | 380 |
| 4.5 | 4.410 | 4.590 | 290 | 380 |
| 4.6 | 4.508 | 4.692 | 290 | 380 |
| 4.7 | 4.606 | 4.794 | 290 | 380 |
| 4.8 | 4.704 | 4.896 | 290 | 380 |
| 4.9 | 4.802 | 4.998 | 290 | 380 |
| 5.0 | 4.900 | 5.100 | 230 | 310 |

TEST CIRCUITS

Circuit



Circuit

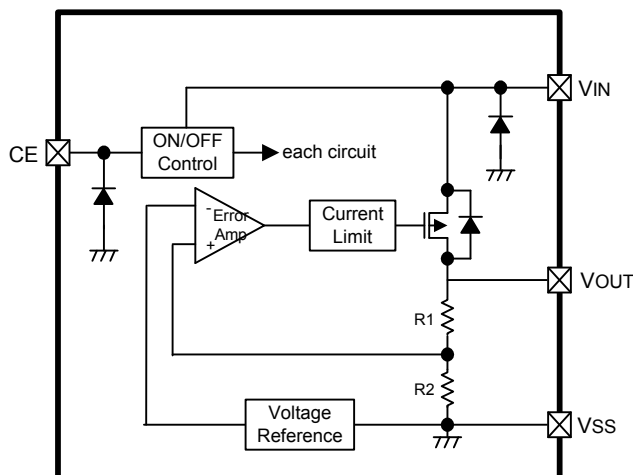


OPERATIONAL EXPLANATION

XC6215B Series (As for the XC6215P Series, with no CE pin)

<Output Voltage Control>

The voltage divided by resistors R1 & R2 is compared with the internal reference voltage by the error amplifier. The P-channel MOSFET, which is connected to the V_{OUT} pin, is then driven by the subsequent output signal. The output voltage at the V_{OUT} pin is controlled and stabilized by a system of negative feedback. The current limit circuit and short protect circuit operate in relation to the level of output current. Further, the IC's internal circuitry can be operated or shutdown via the CE pin's signal.



<Short Protection Circuit>

The XC6215 series' regulator offers circuit protection by means of a built-in foldback circuit. When the load current reaches the current limit level, the fixed current limiter circuit operates and output voltage drops. As a result of this drop in output voltage, the foldback circuit operates, the output voltage drops further and output current decreases. When the output pin is shorted, a current of about 50mA flows.

<CE Pin>

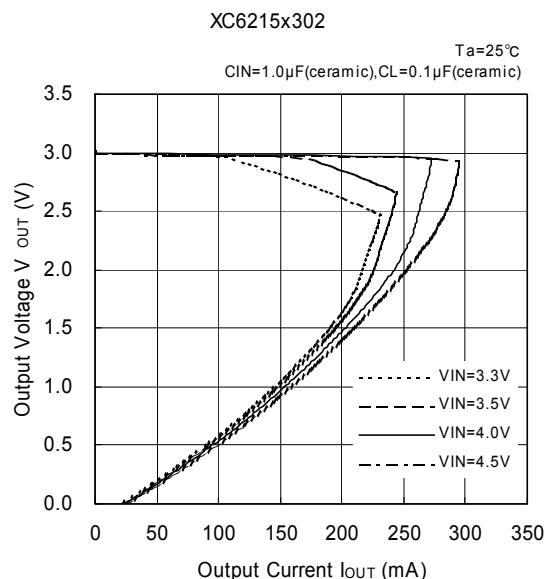
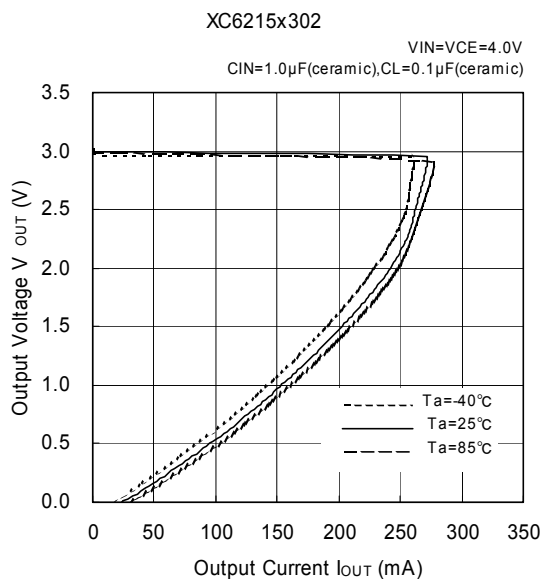
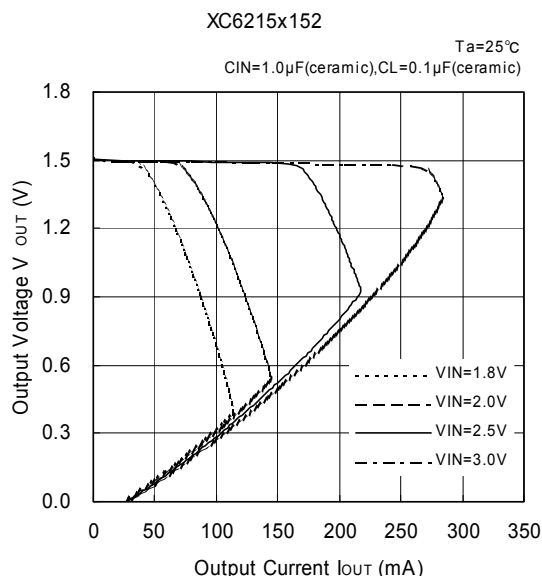
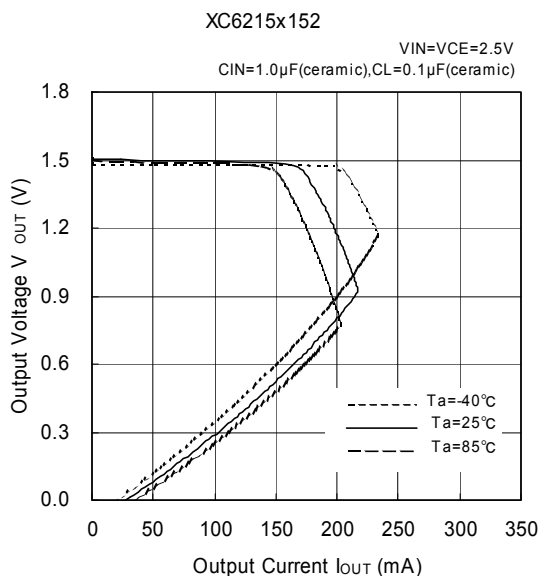
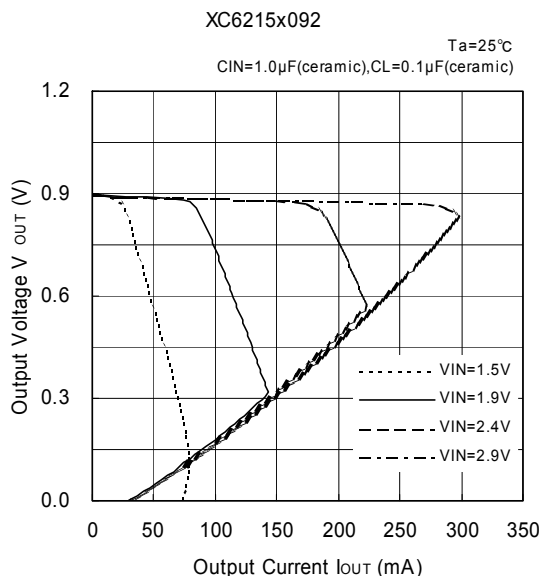
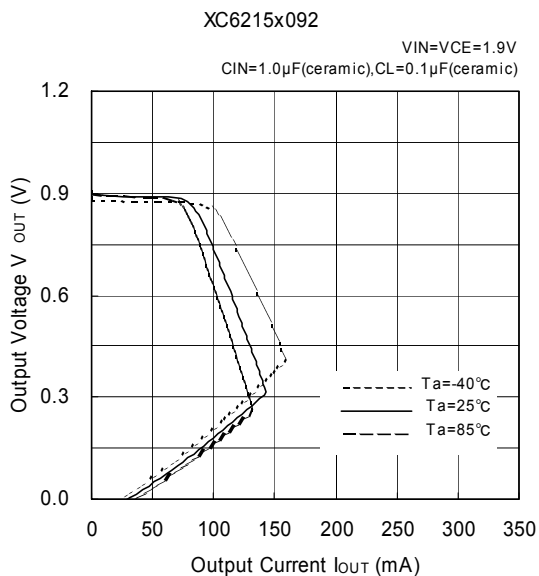
The IC's internal circuitry can be operated or shutdown via the signal from the CE pin with the XC6215B series. In shutdown mode, output at the V_{OUT} pin will be pulled down to the V_{SS} level via R1 & R2. Note that the XC6215 series' regulator is "High Active/No Pull-Down", operations will become unstable with the CE pin open. We suggest that you use this IC with either a V_{IN} voltage or a V_{SS} voltage input at the CE pin. If this IC is used with the correct specifications for the CE pin, the operational logic is fixed and the IC will operate normally. However, supply current may increase as a result of through current in the IC's internal circuitry.

NOTES ON USE

1. Please use this IC within the stated absolute maximum ratings. The IC is liable to malfunction should the ratings be exceeded.
2. Where wiring impedance is high, operations may become unstable due to noise and/or phase lag depending on output current.
3. As for the XC6215 series, internally achieved phase compensation makes a stable operation of the IC possible even when there is no output capacitor (C_L). In order to stabilize the V_{IN}'s voltage level, we recommend that an input capacitor (C_{IN}) of about 0.1 to 1.0 μ F be connected between the V_{IN} pin and the V_{SS} pin. Moreover, during transient response, so as to prevent an undershoot or overshoot, we recommend that the output capacitor (C_L) of about 0.1 to 1.0 μ F be connected between the V_{OUT} pin and the V_{SS} pin. However, please wire the input capacitor (C_{IN}) and the output capacitor (C_L) as close to the IC as possible.

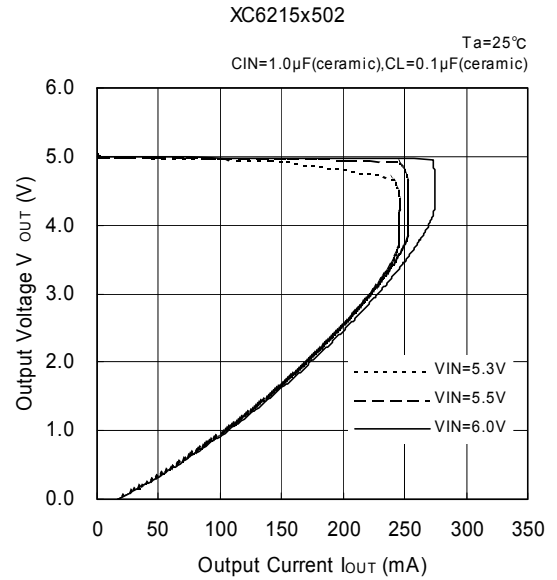
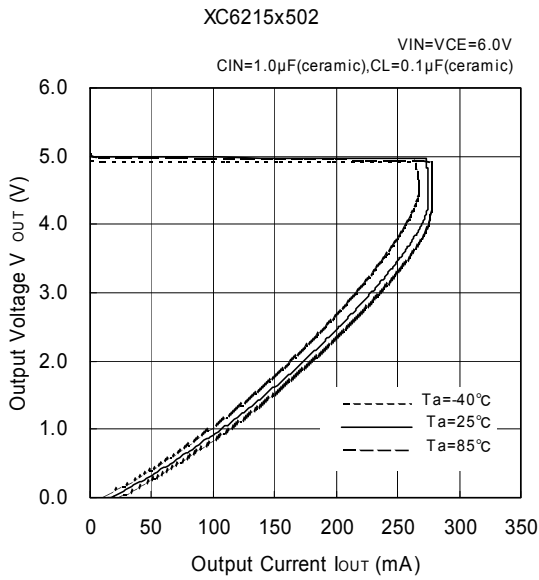
TYPICAL PERFORMANCE CHARACTERISTICS

(1) Output Voltage vs. Output Current

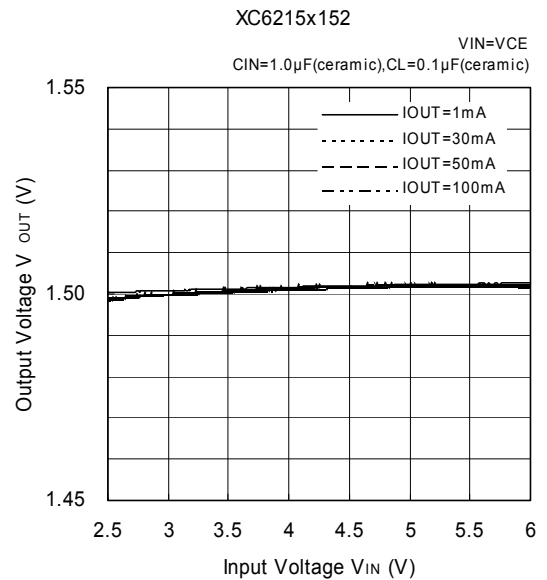
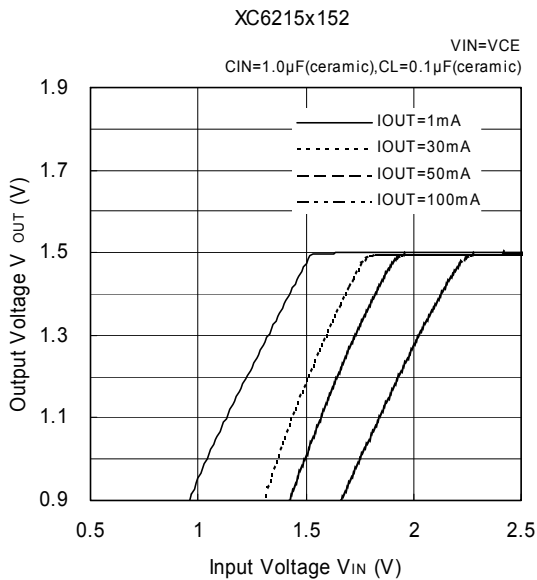
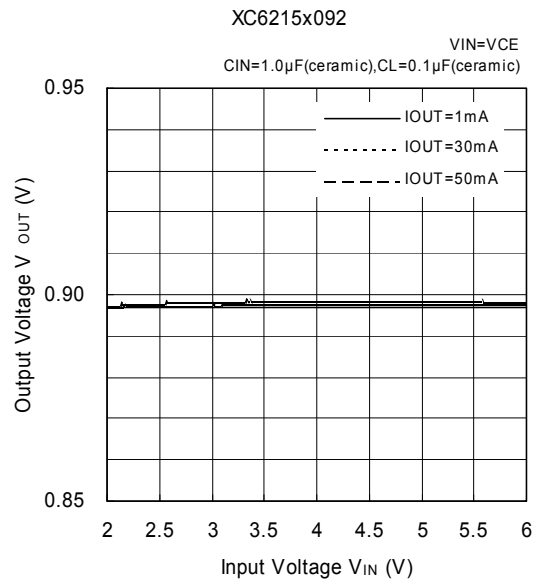
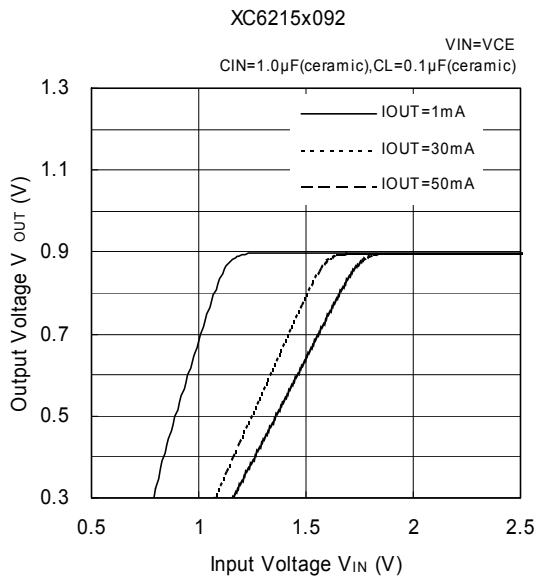


TYPICAL PERFORMANCE CHARACTERISTICS (Continued)

(1) Output Voltage vs. Output Current (Continued)



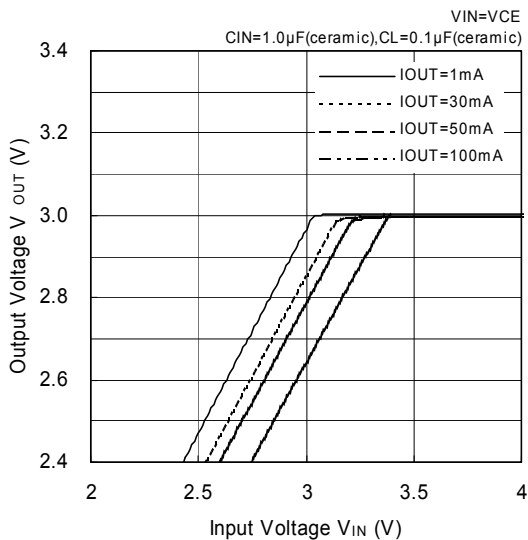
(2) Output Voltage vs. Input Voltage



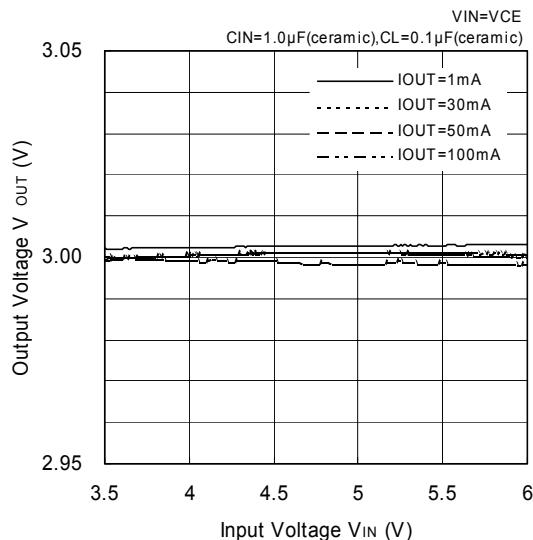
TYPICAL PERFORMANCE CHARACTERISTICS (Continued)

(2) Output Voltage vs. Input Voltage (Continued)

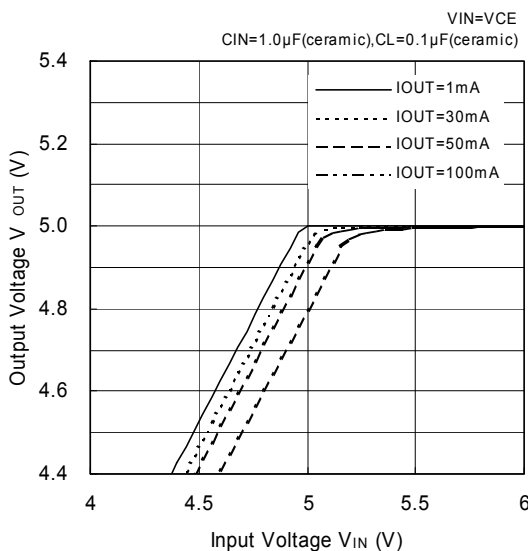
XC6215x302



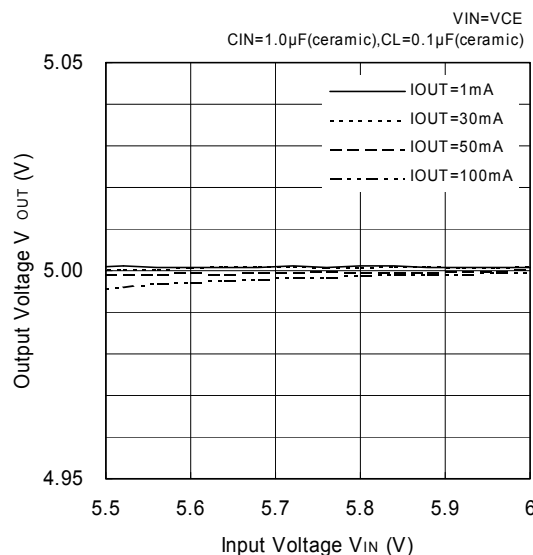
XC6215x302



XC6215x502

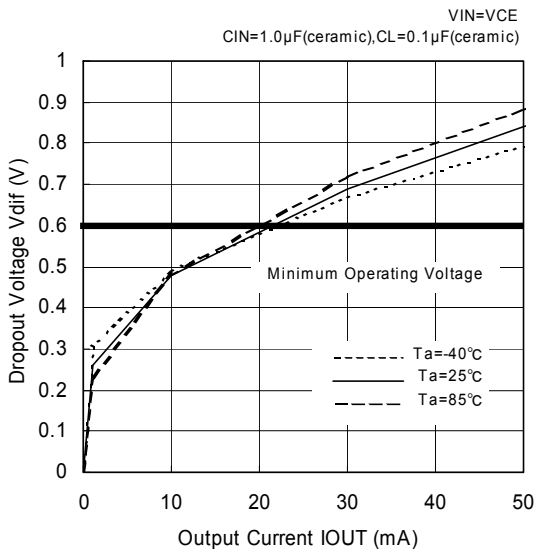


XC6215x502

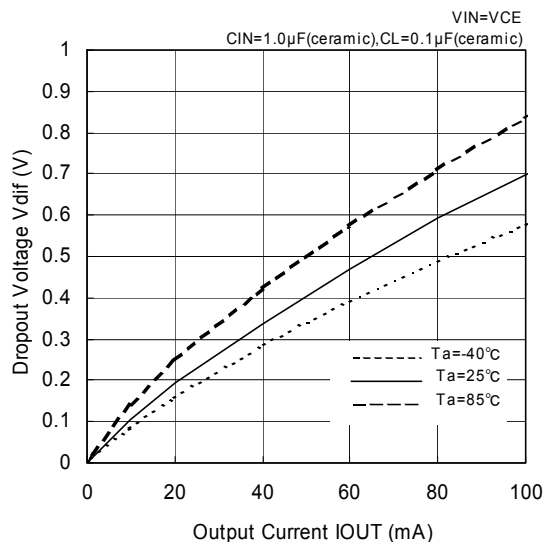


(3) Dropout Voltage vs. Output Current

XC6215x092



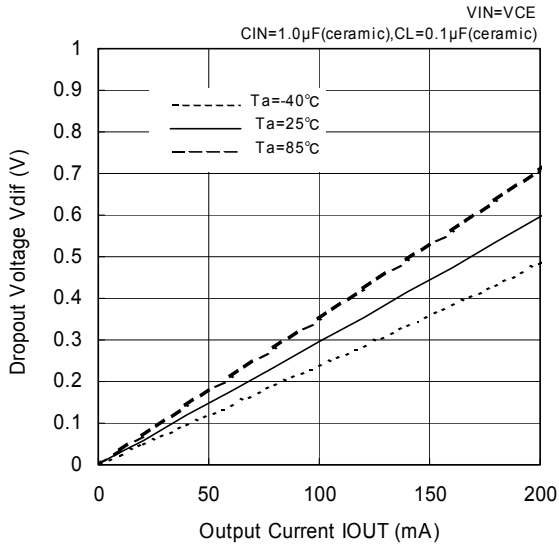
XC6215x152



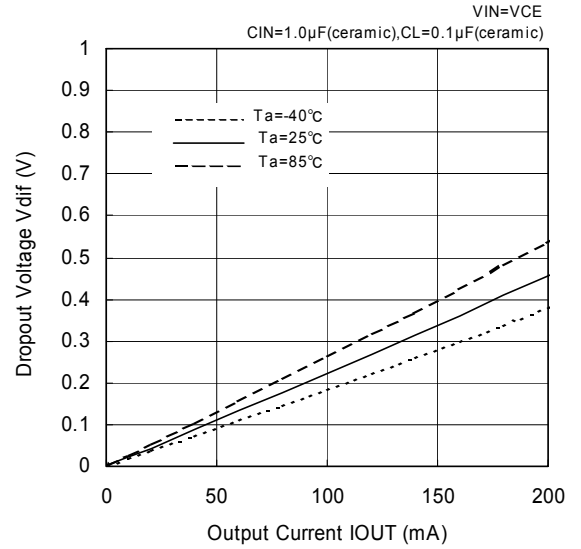
TYPICAL PERFORMANCE CHARACTERISTICS (Continued)

(3) Dropout Voltage vs. Output Current (Continued)

XC6215x302

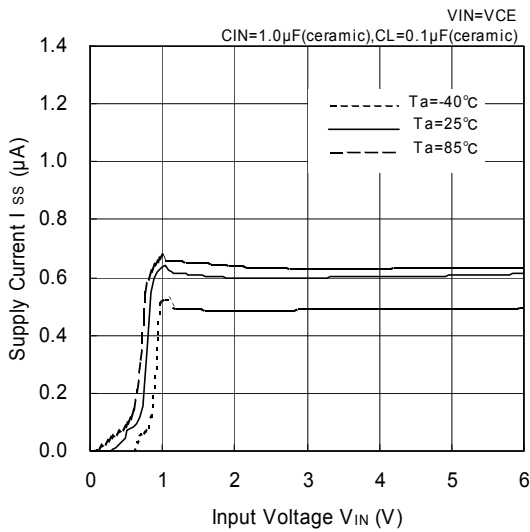


XC6215x502

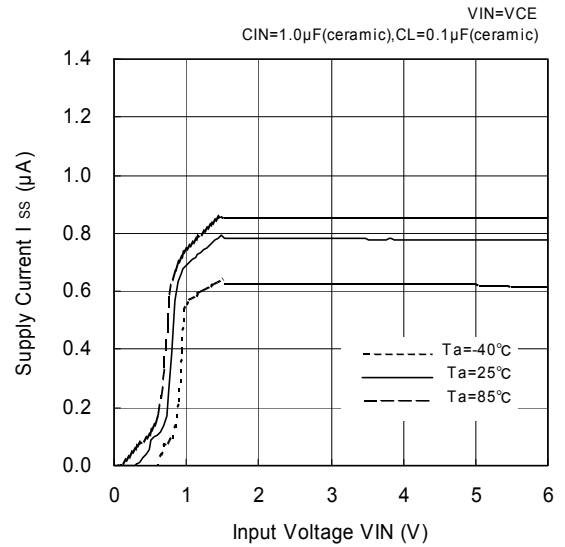


(4) Supply Current vs. Input Voltage

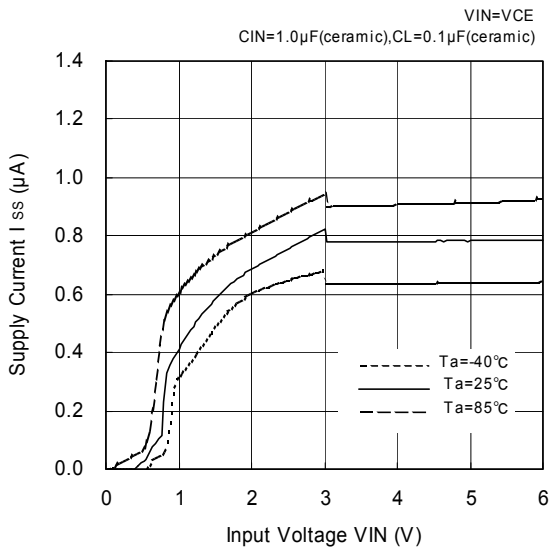
XC6215x092



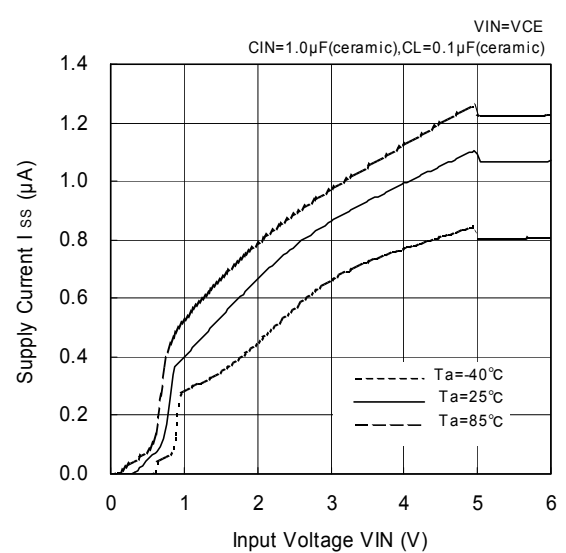
XC6215x152



XC6215x302

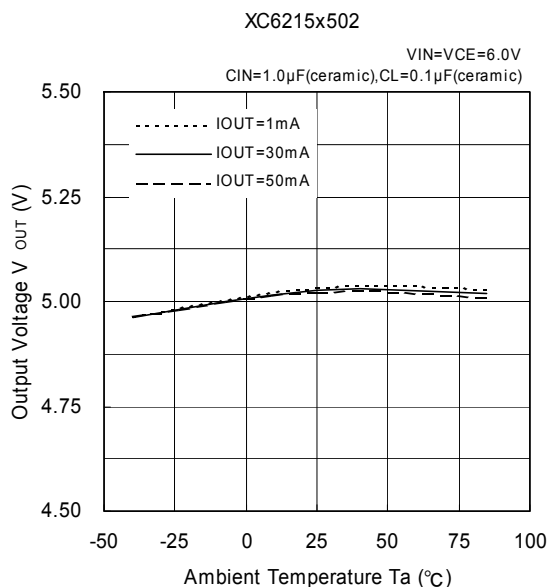
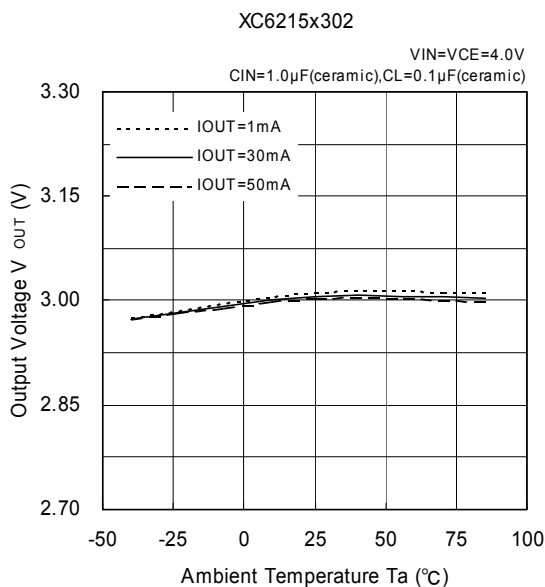
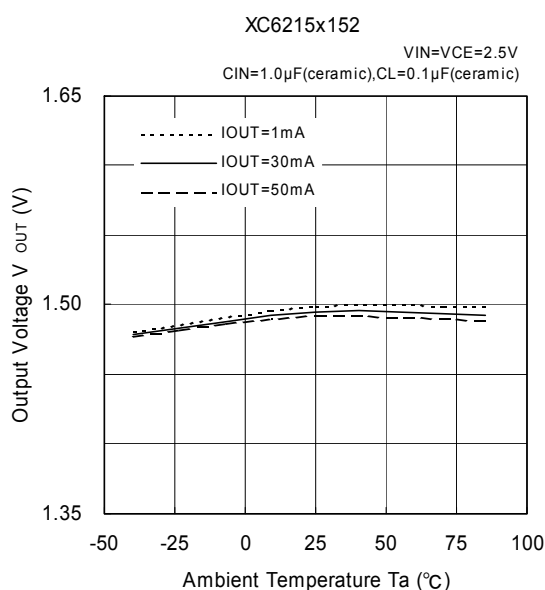
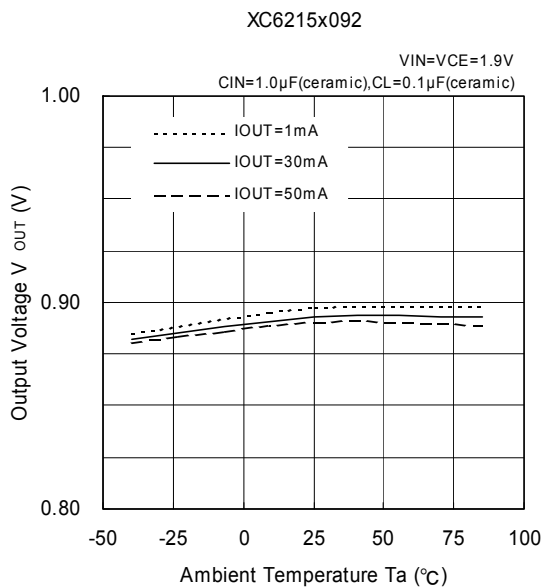


XC6215x502

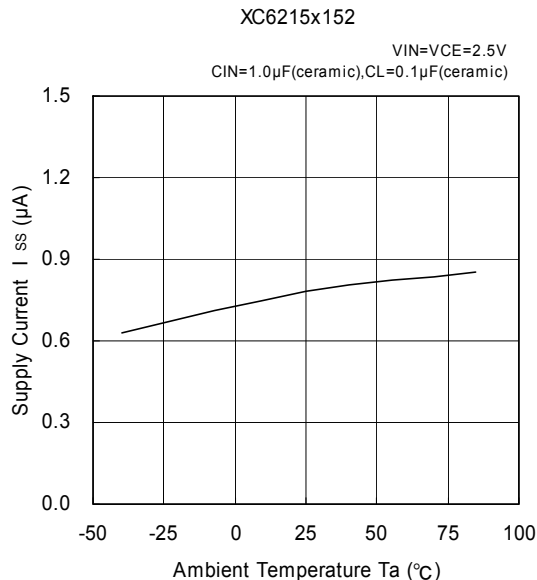
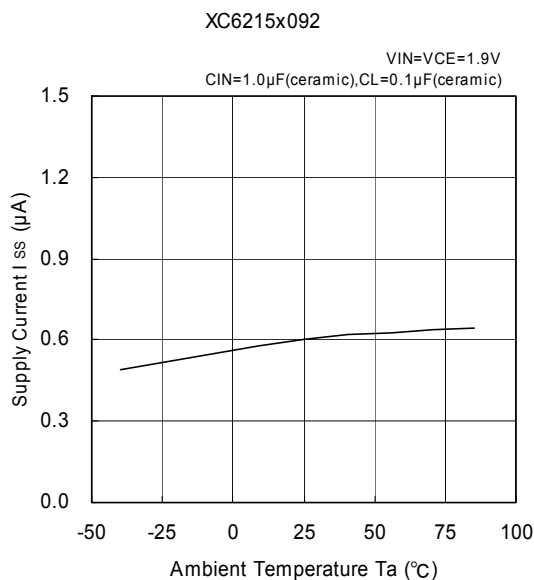


TYPICAL PERFORMANCE CHARACTERISTICS (Continued)

(5) Output Voltage vs. Ambient Temperature



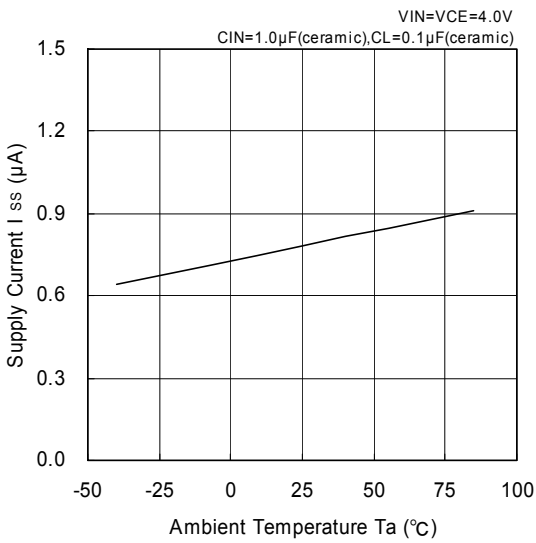
(6) Supply Current vs. Ambient Temperature



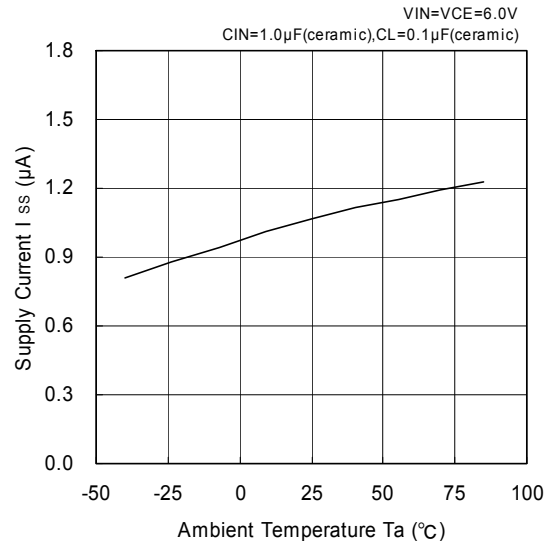
TYPICAL PERFORMANCE CHARACTERISTICS (Continued)

(6) Supply Current vs. Ambient Temperature (Continued)

XC6215x302

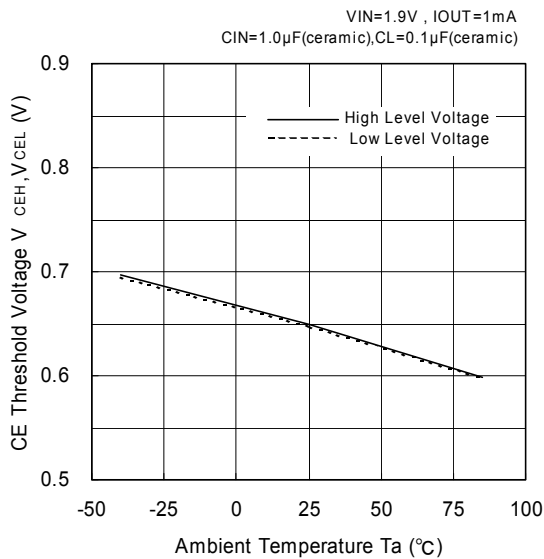


XC6215x502

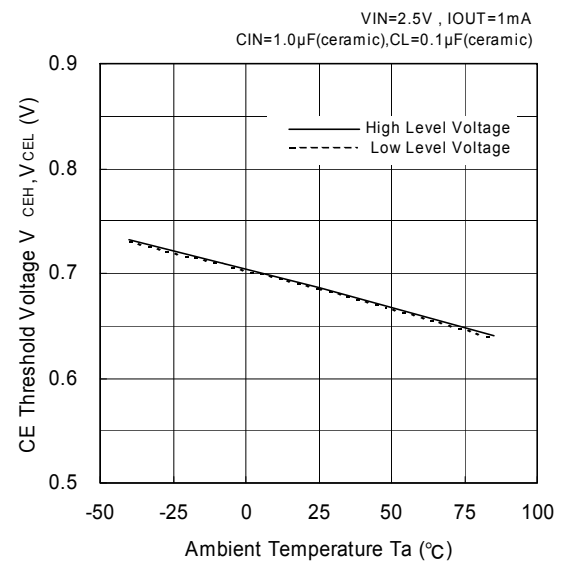


(7) CE Threshold Voltage vs. Ambient Temperature

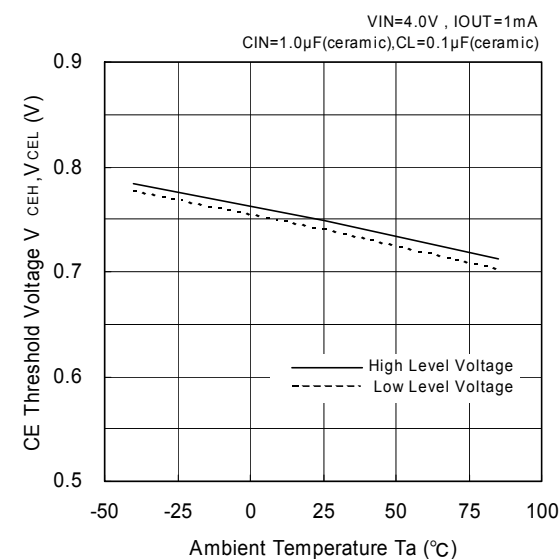
XC6215x092



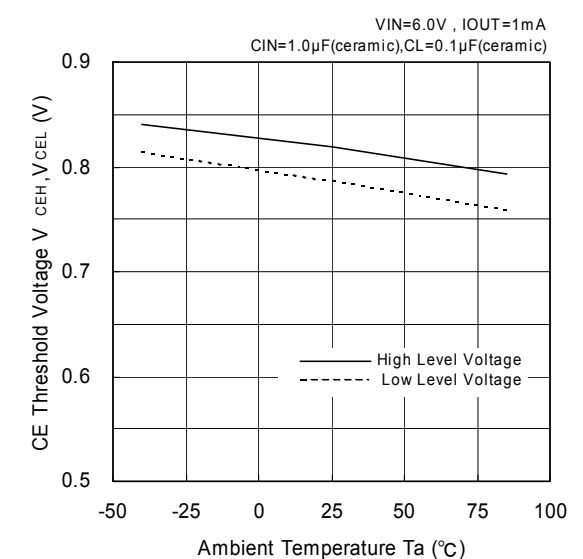
XC6215x152



XC6215x302

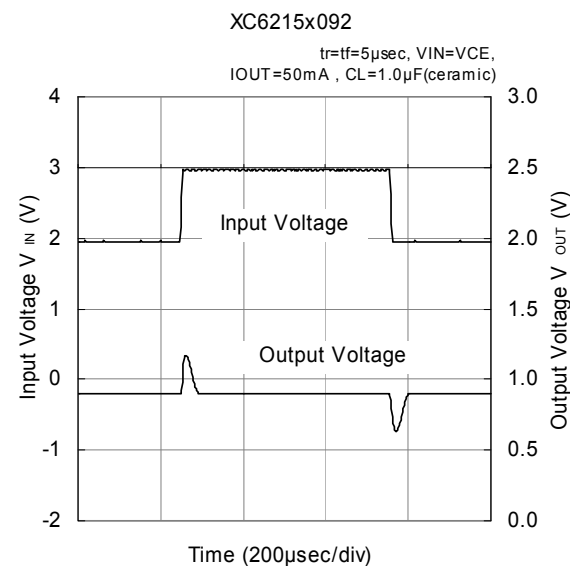
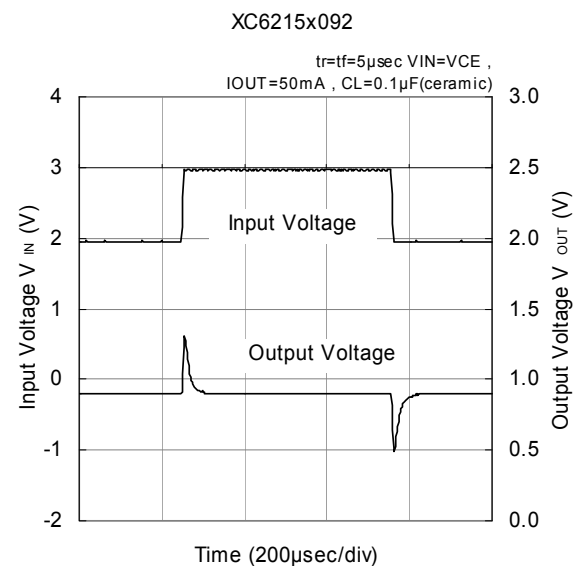
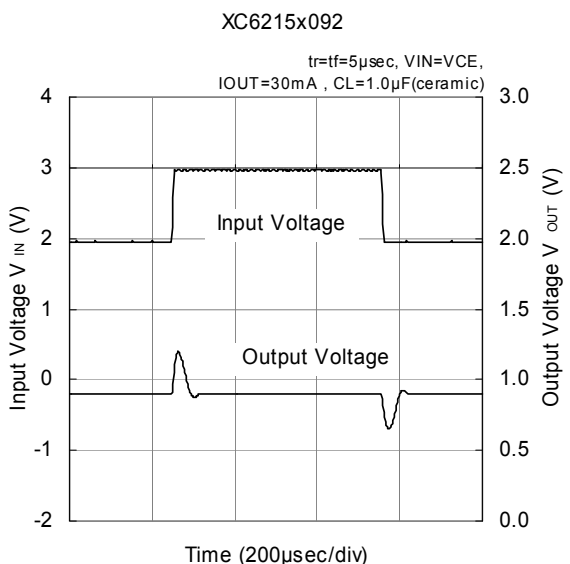
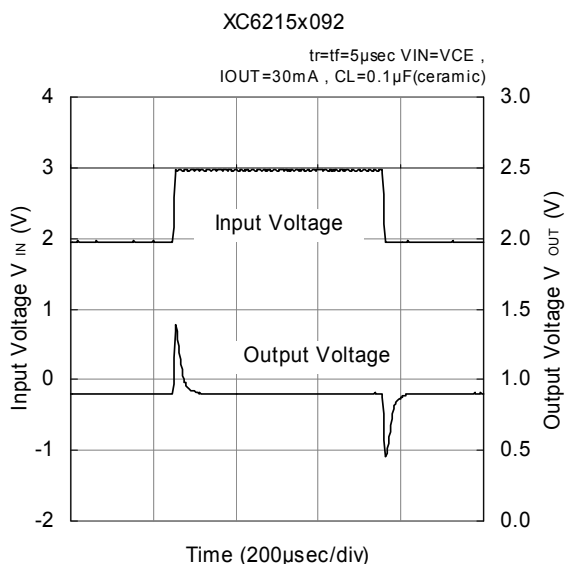
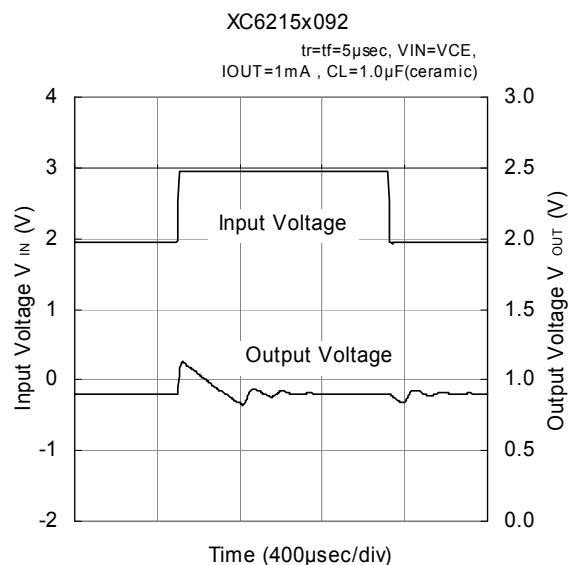
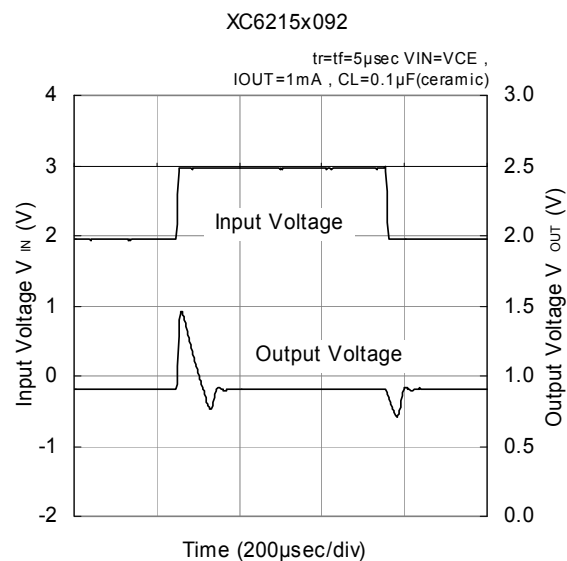


XC6215x502



TYPICAL PERFORMANCE CHARACTERISTICS (Continued)

(8) Input Transient Response

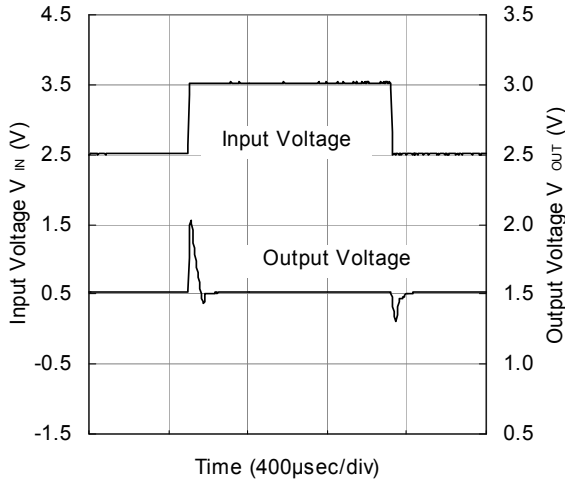


TYPICAL PERFORMANCE CHARACTERISTICS (Continued)

(8) Input Transient Response (Continued)

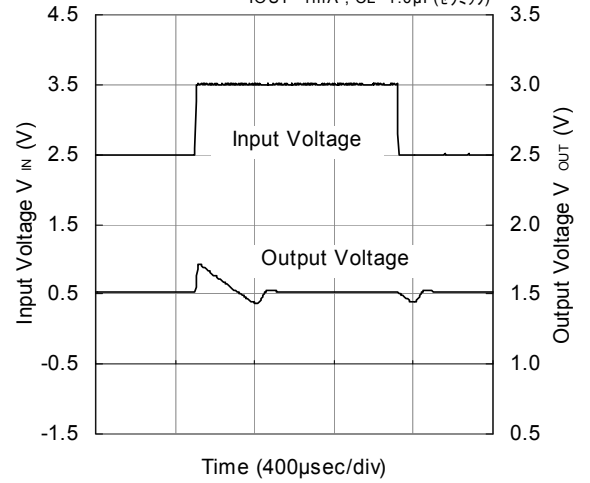
XC6215x152

$t_r = t_f = 5\mu\text{sec}$, $V_{IN} = V_{CE}$,
 $I_{OUT} = 1\text{mA}$, $C_L = 0.1\mu\text{F}$ (ceramic)



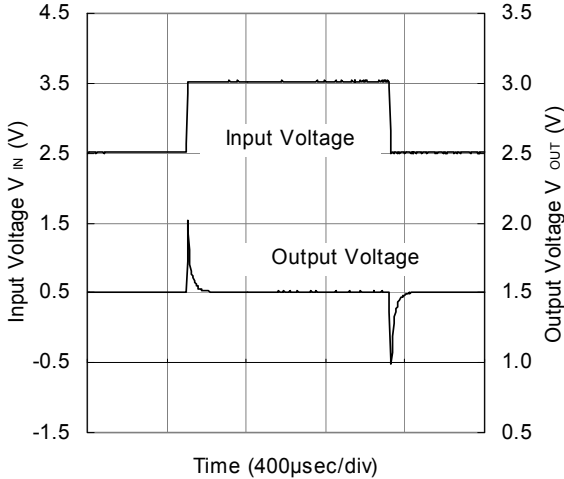
XC6215x152

$t_r = t_f = 5\mu\text{sec}$, $V_{IN} = V_{CE}$,
 $I_{OUT} = 1\text{mA}$, $C_L = 1.0\mu\text{F}$ (セラミック)



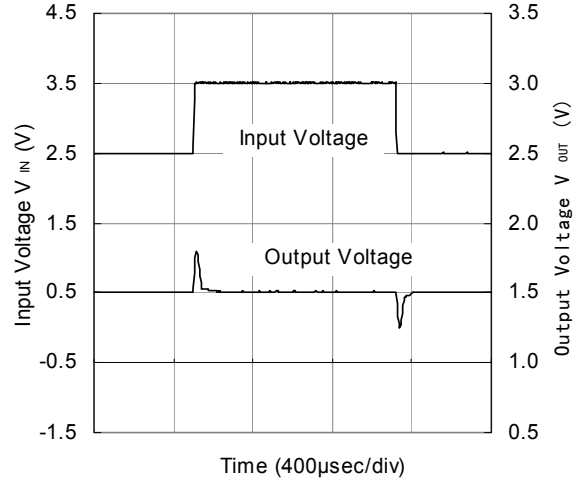
XC6215x152

$t_r = t_f = 5\mu\text{sec}$, $V_{IN} = V_{CE}$,
 $I_{OUT} = 30\text{mA}$, $C_L = 0.1\mu\text{F}$ (ceramic)



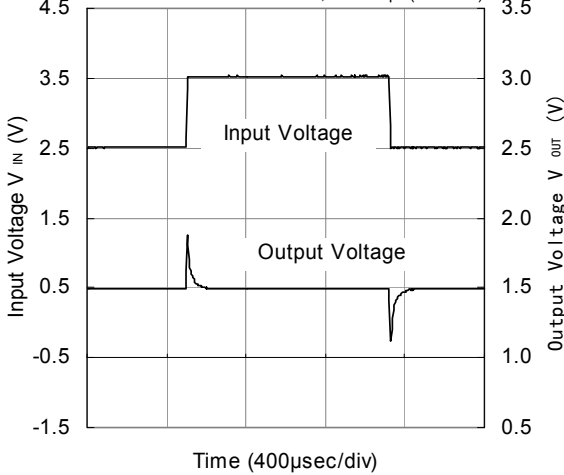
XC6215x152

$t_r = t_f = 5\mu\text{sec}$, $V_{IN} = V_{CE}$,
 $I_{OUT} = 30\text{mA}$, $C_L = 1.0\mu\text{F}$ (ceramic)



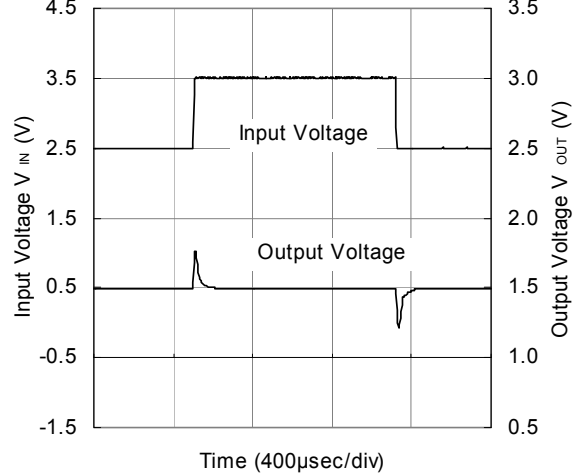
XC6215x152

$t_r = t_f = 5\mu\text{sec}$, $V_{IN} = V_{CE}$,
 $I_{OUT} = 100\text{mA}$, $C_L = 0.1\mu\text{F}$ (ceramic)



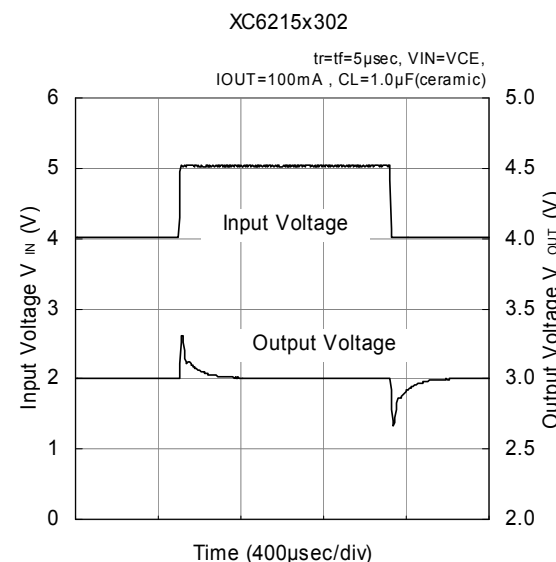
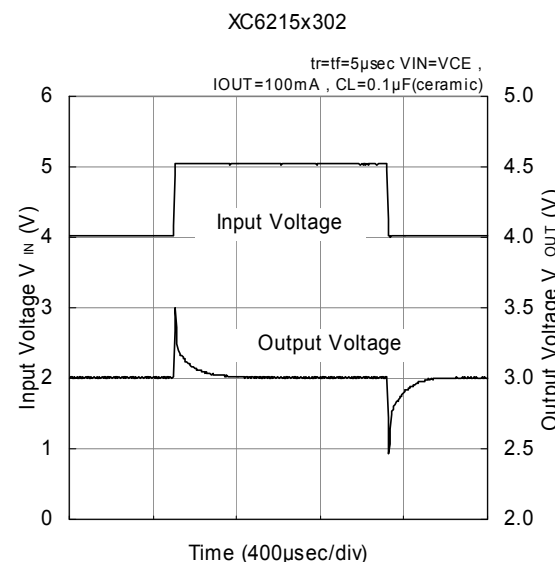
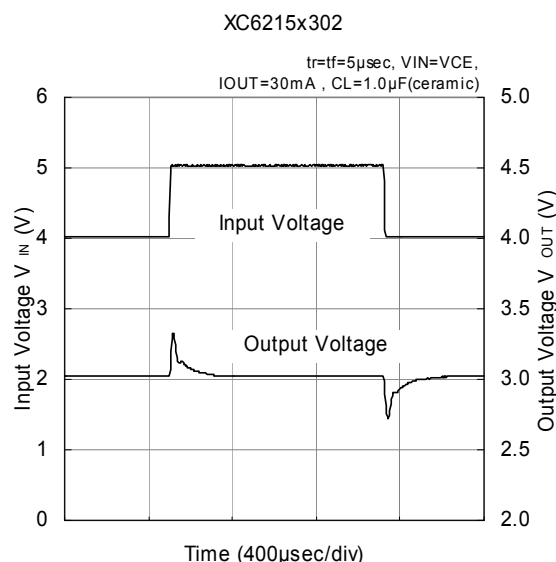
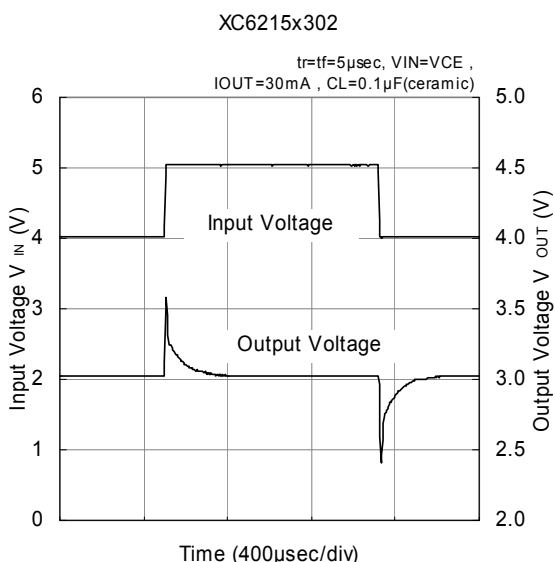
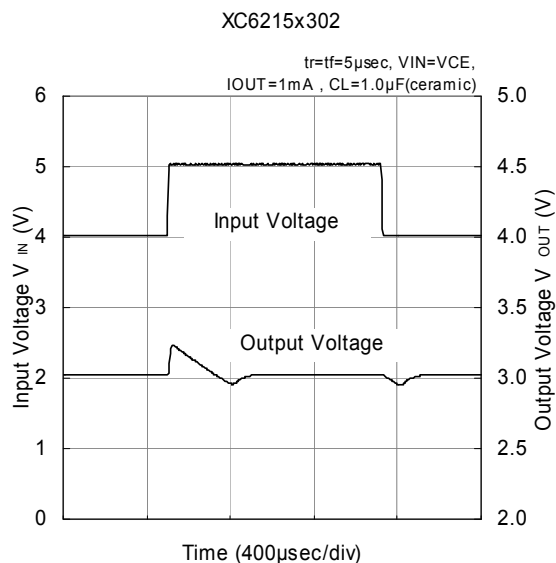
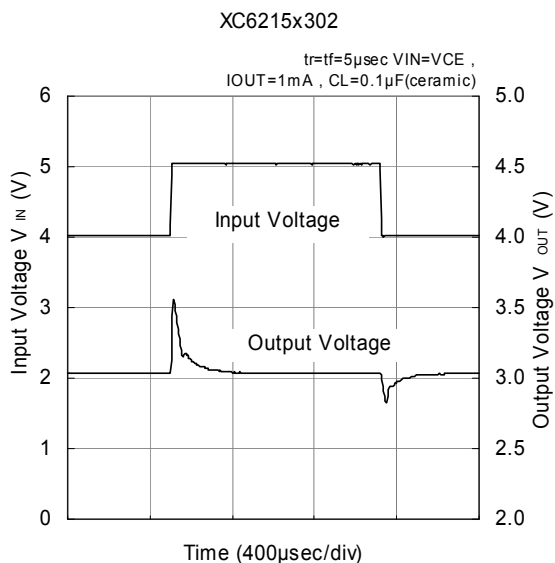
XC6215x152

$t_r = t_f = 5\mu\text{sec}$, $V_{IN} = V_{CE}$,
 $I_{OUT} = 100\text{mA}$, $C_L = 1.0\mu\text{F}$ (ceramic)



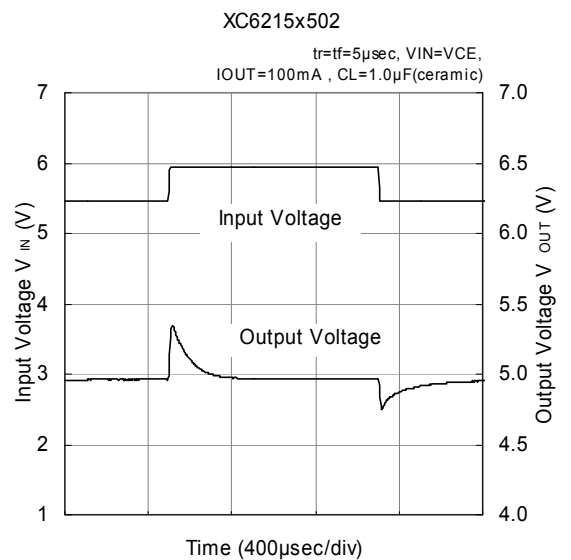
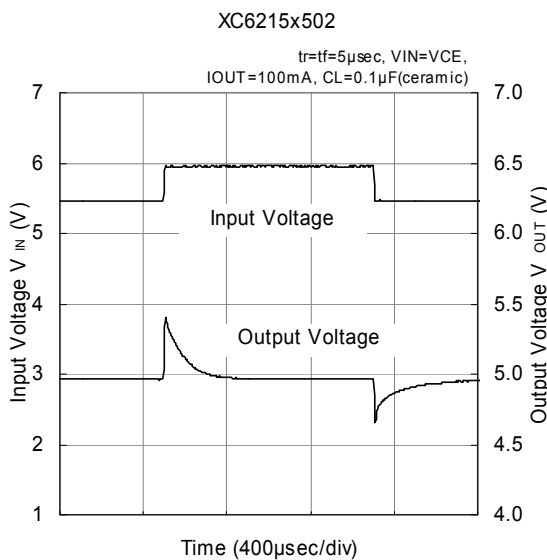
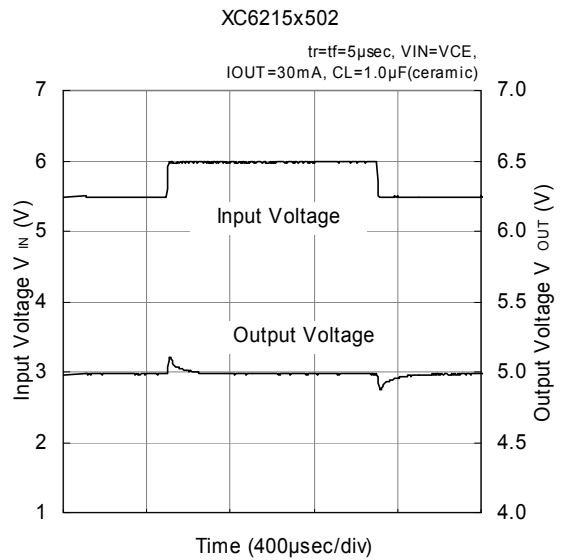
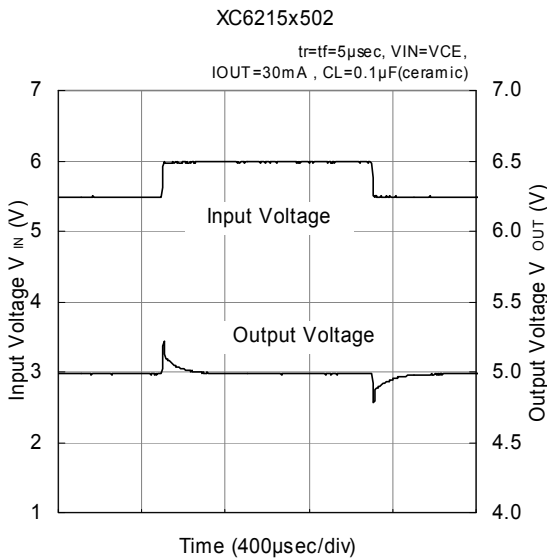
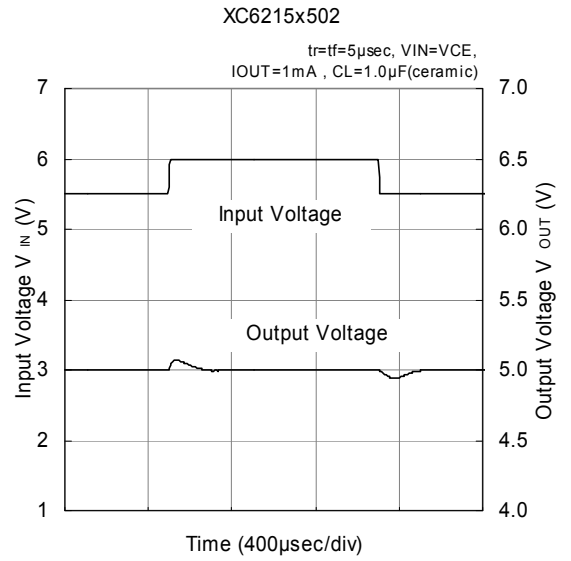
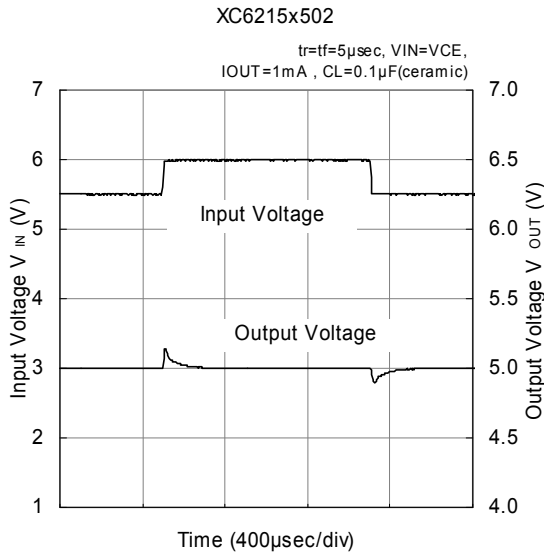
TYPICAL PERFORMANCE CHARACTERISTICS (Continued)

(8) Input Transient Response (Continued)



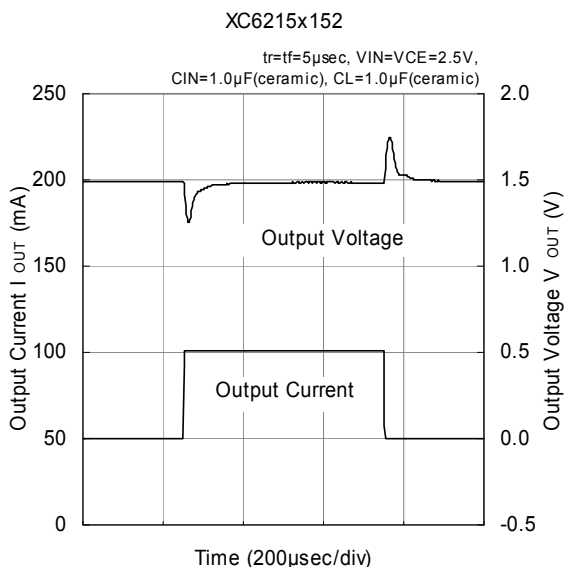
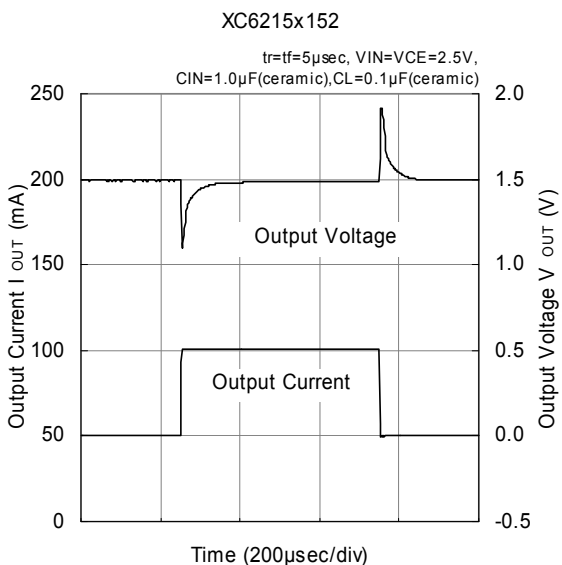
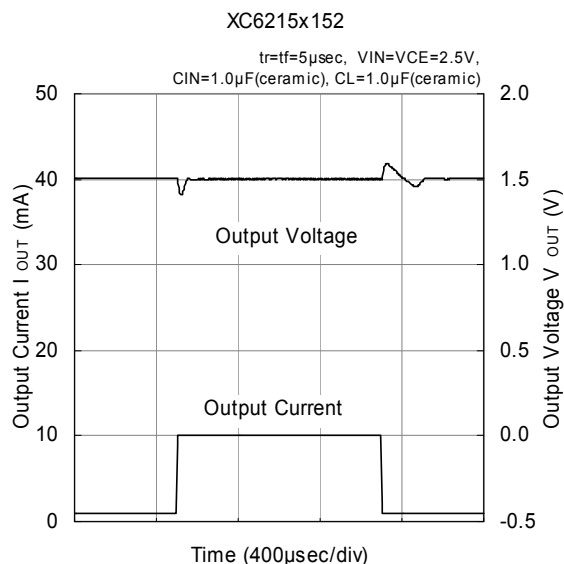
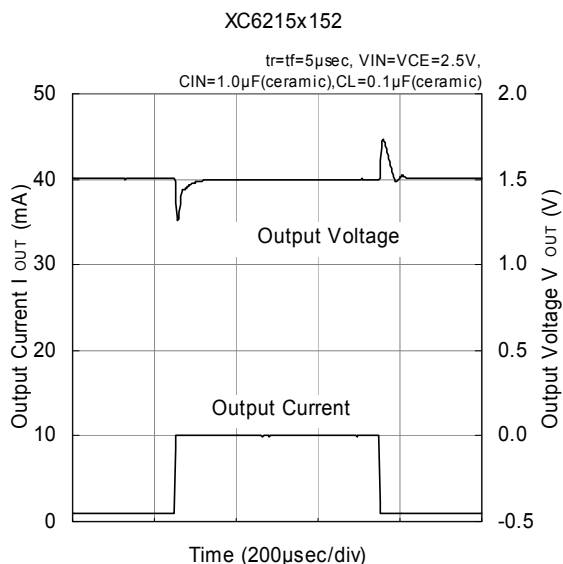
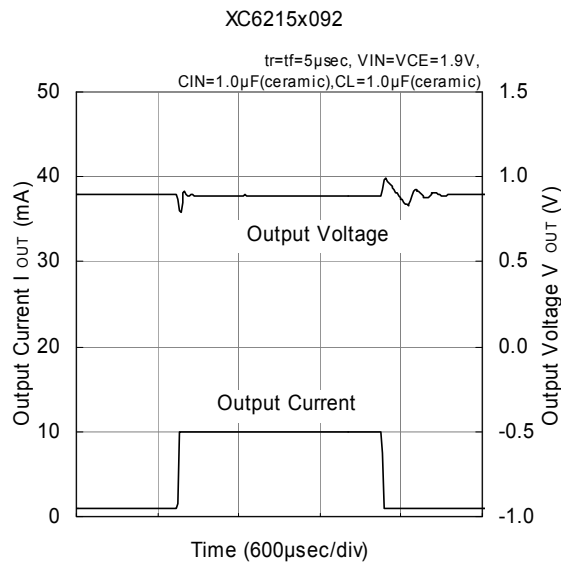
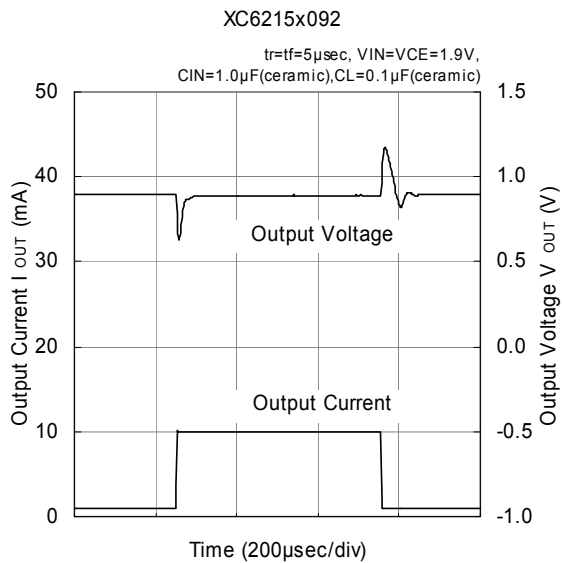
TYPICAL PERFORMANCE CHARACTERISTICS (Continued)

(8) Input Transient Response (Continued)



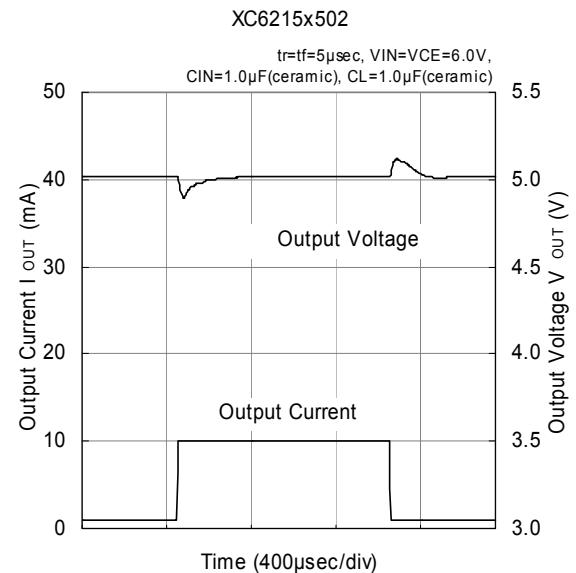
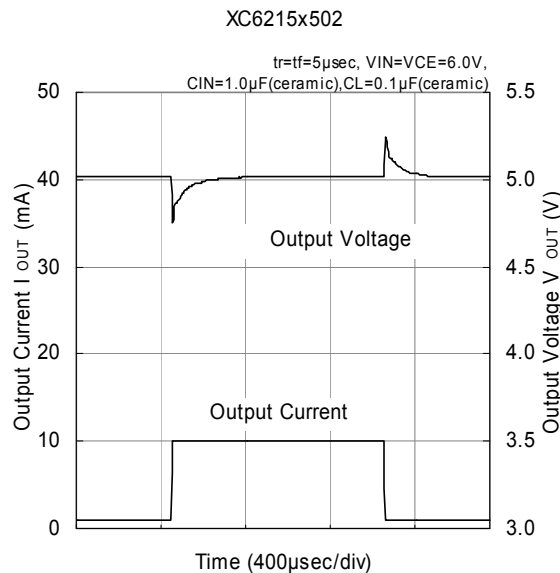
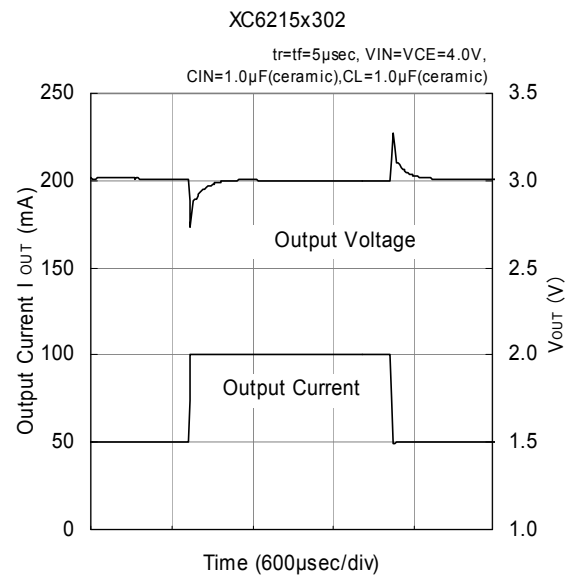
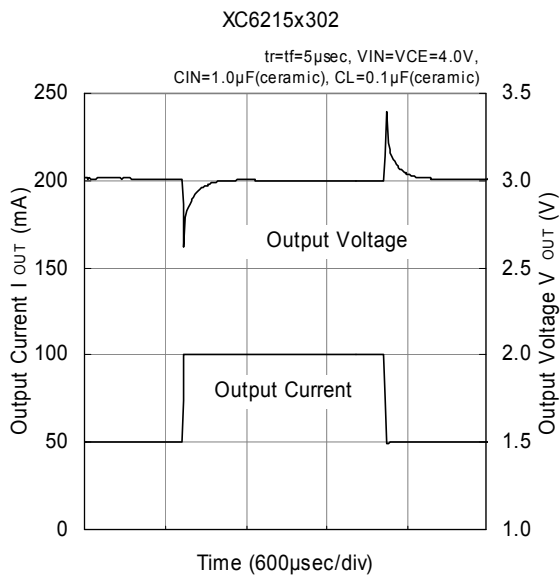
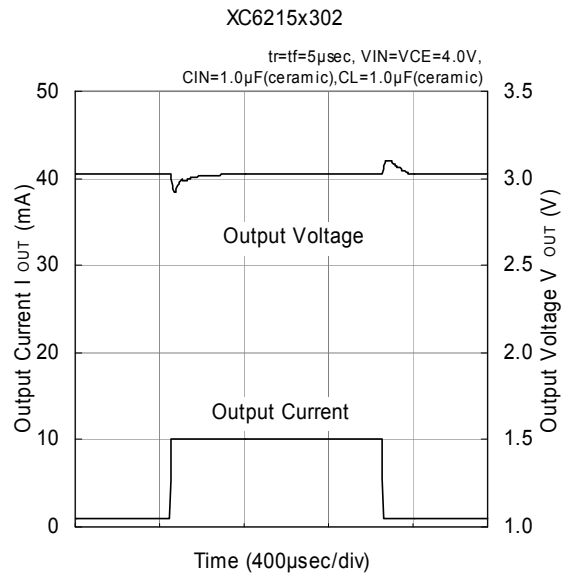
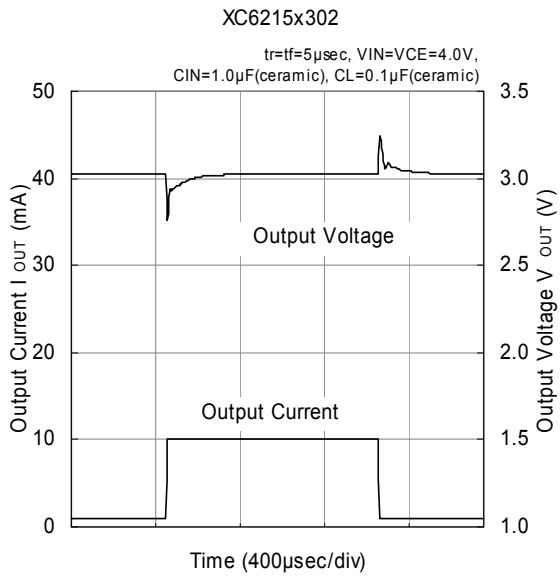
TYPICAL PERFORMANCE CHARACTERISTICS (Continued)

(9) Load Transient Response



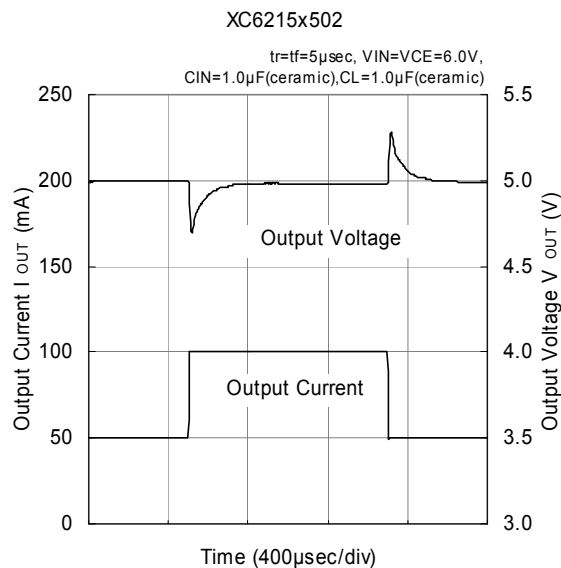
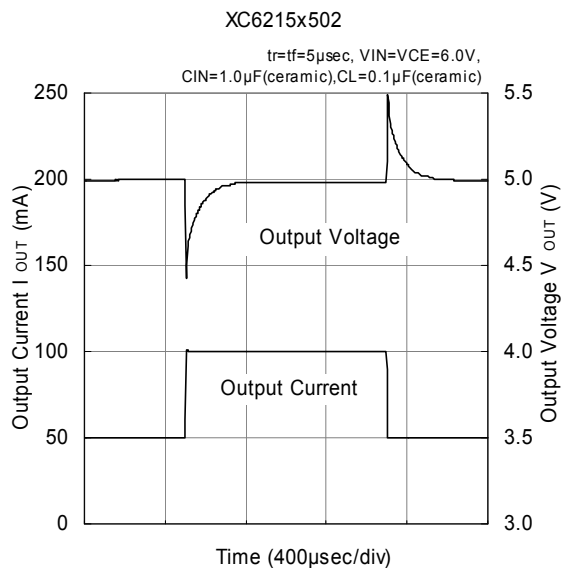
TYPICAL PERFORMANCE CHARACTERISTICS (Continued)

(9) Load Transient Response (Continued)

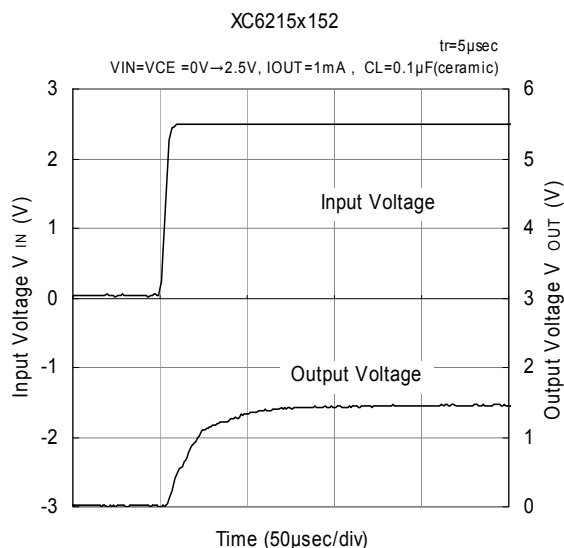
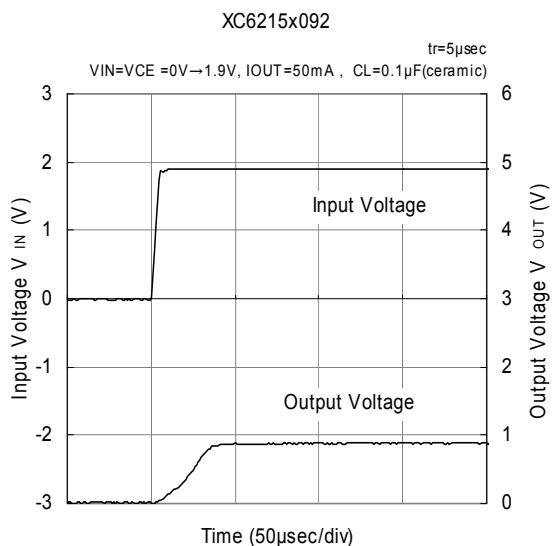
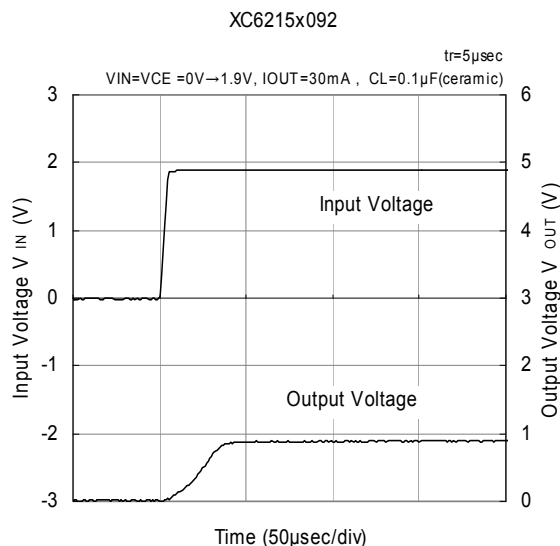
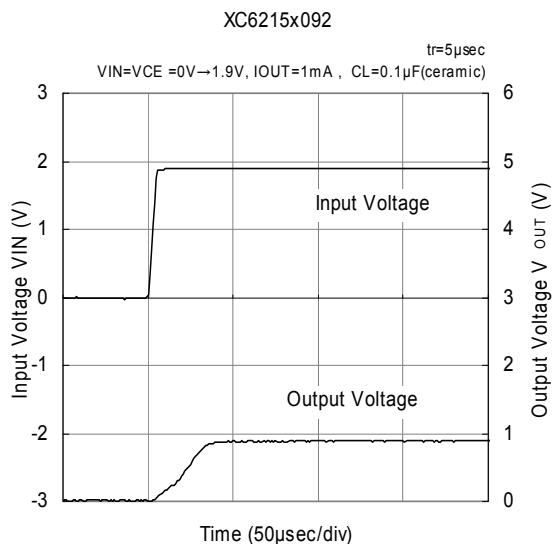


TYPICAL PERFORMANCE CHARACTERISTICS (Continued)

(9) Load Transient Response (Continued)

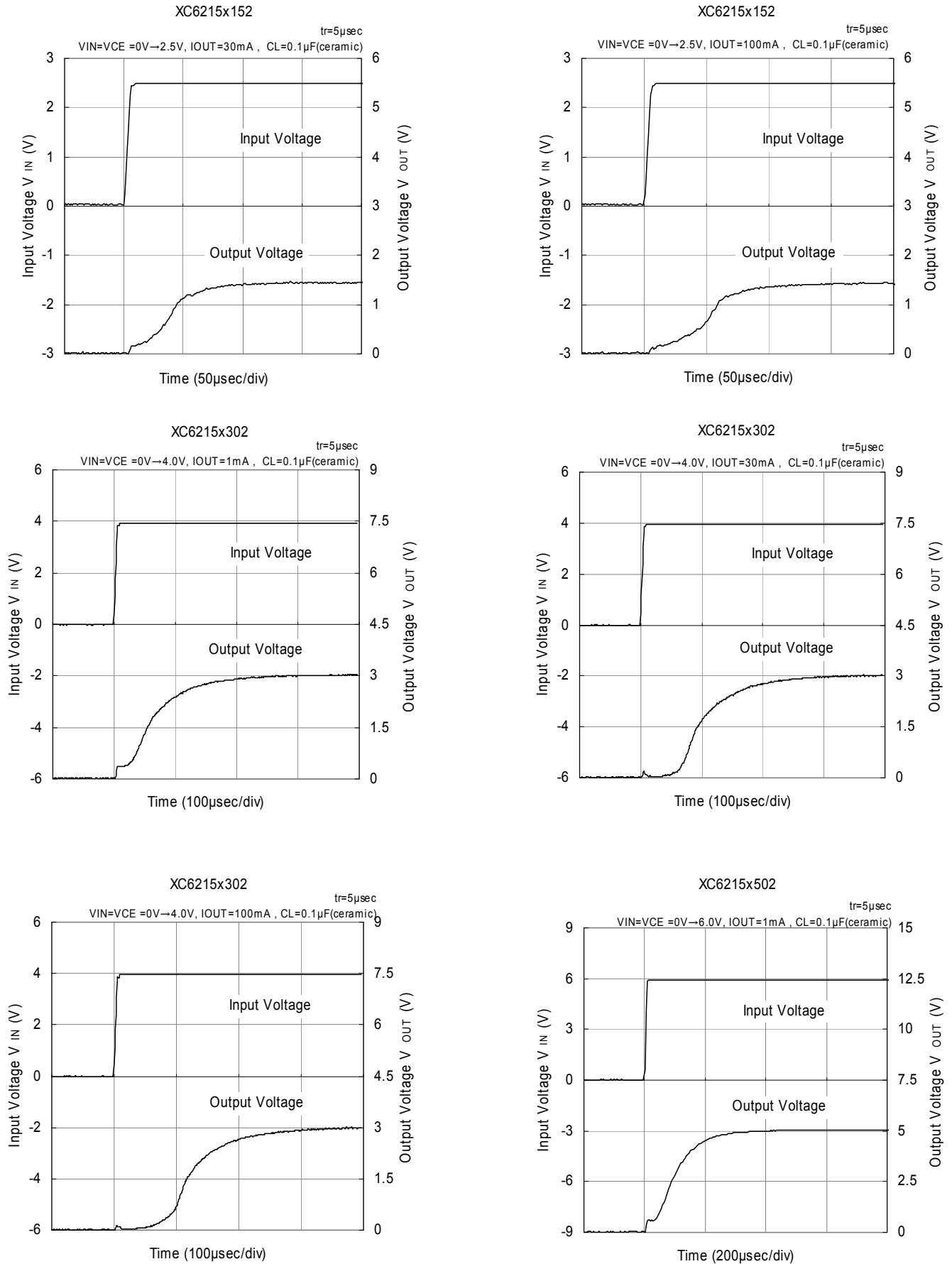


(10) Rising Response Time



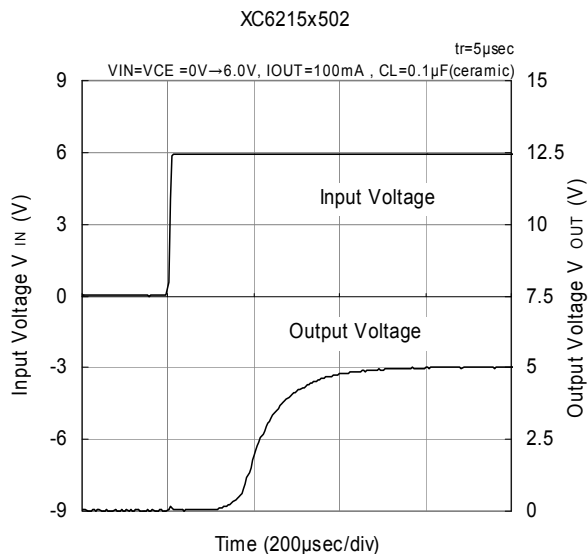
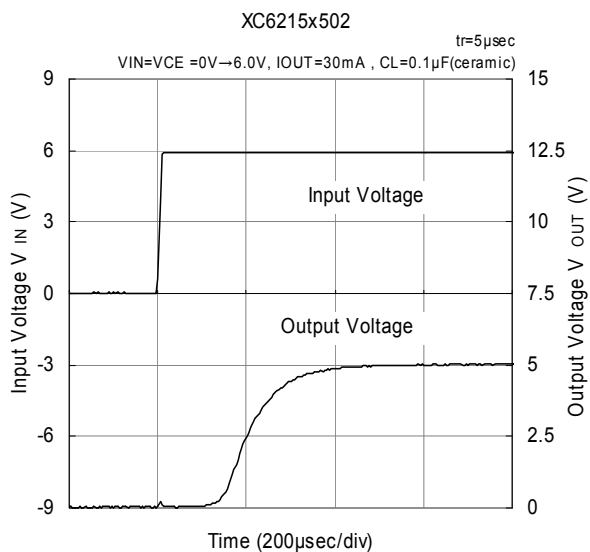
TYPICAL PERFORMANCE CHARACTERISTICS (Continued)

(10) Rising Response Time (Continued)

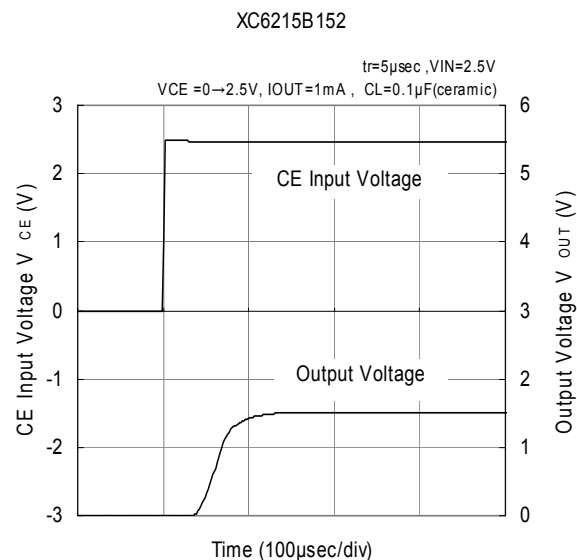
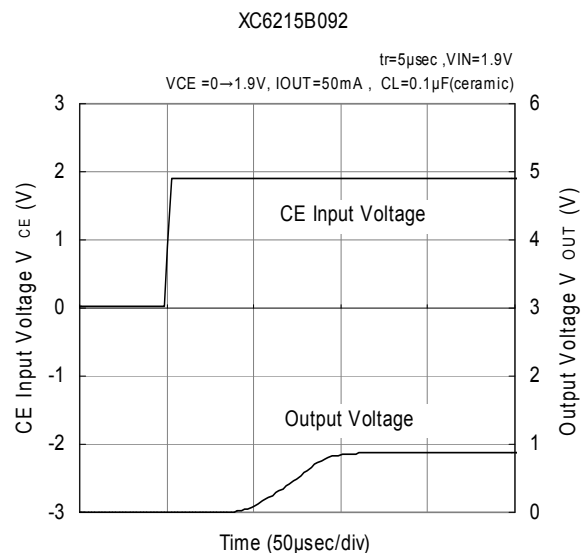
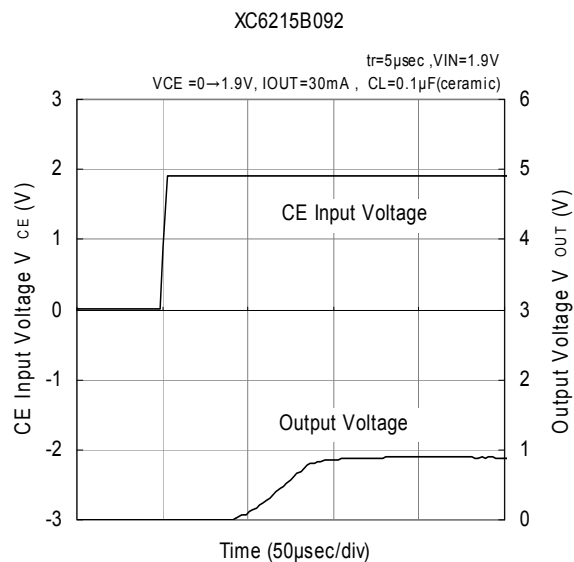
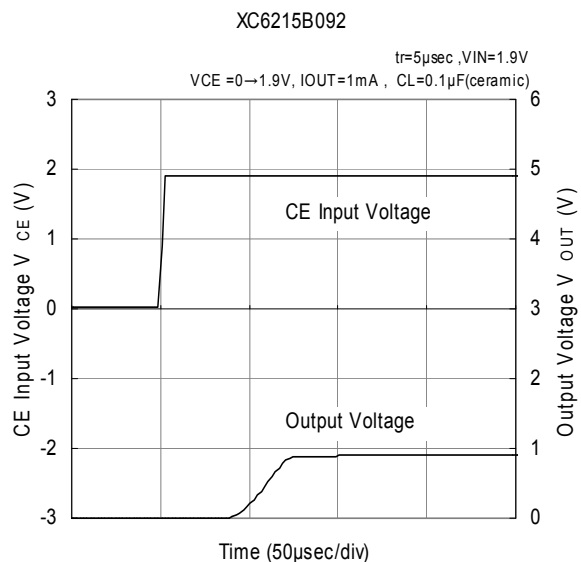


TYPICAL PERFORMANCE CHARACTERISTICS (Continued)

(10) Rising Response Time (Continued)



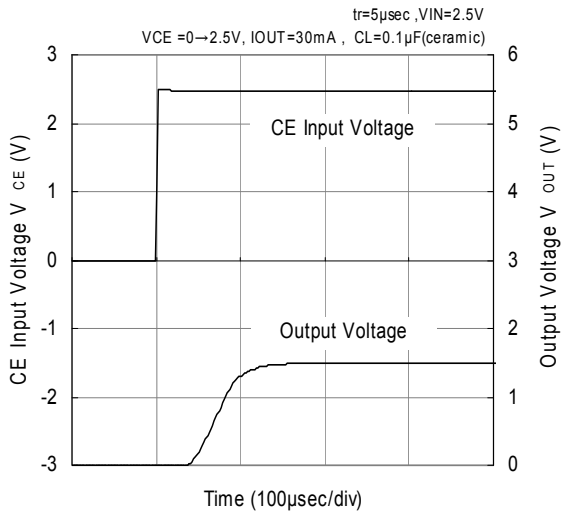
(11) CE Rising Response Time (For XC6215B Type)



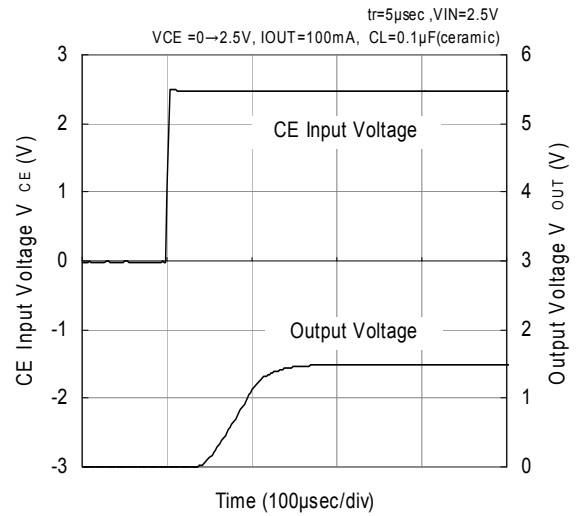
TYPICAL PERFORMANCE CHARACTERISTICS (Continued)

(11) CE Rising Response Time (Continued)

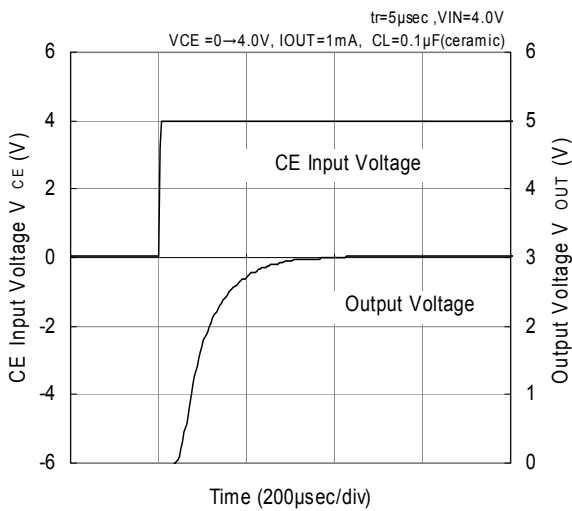
XC6215B152



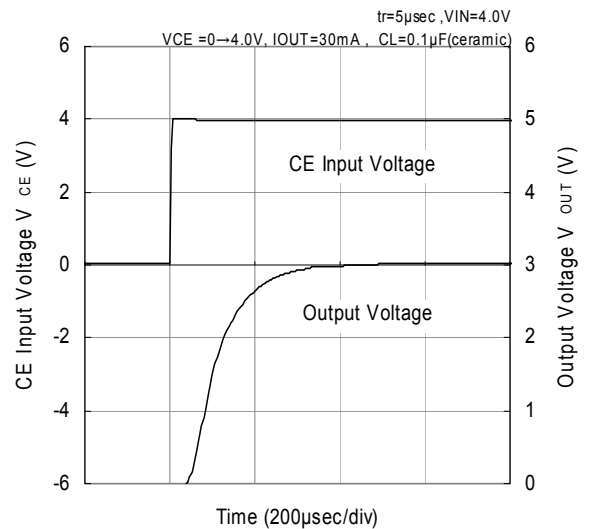
XC6215B152



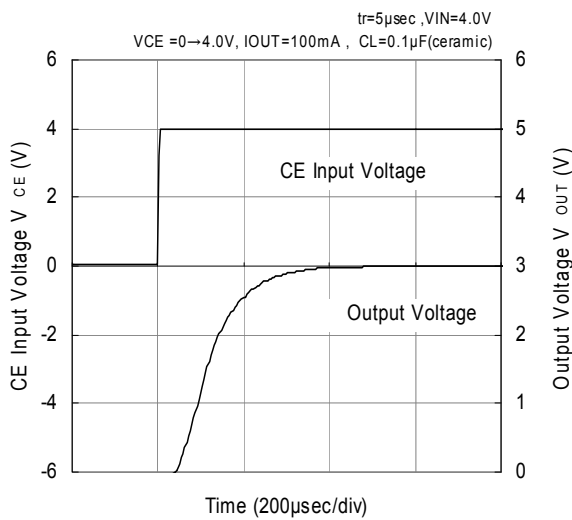
XC6215B302



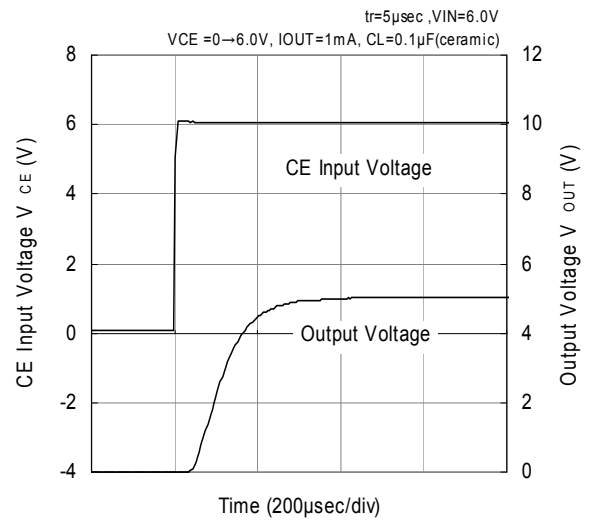
XC6215B302



XC6215B302



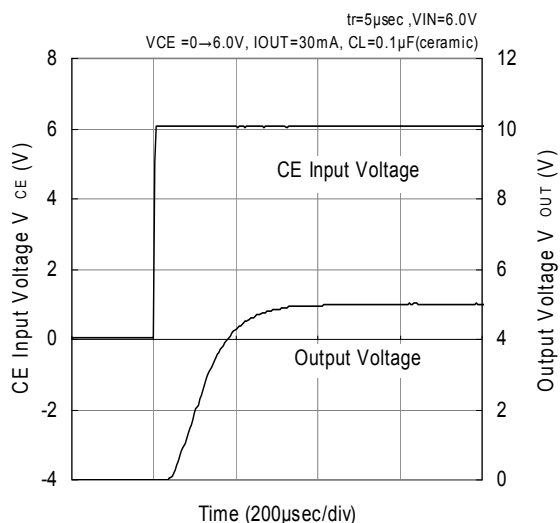
XC6215B502



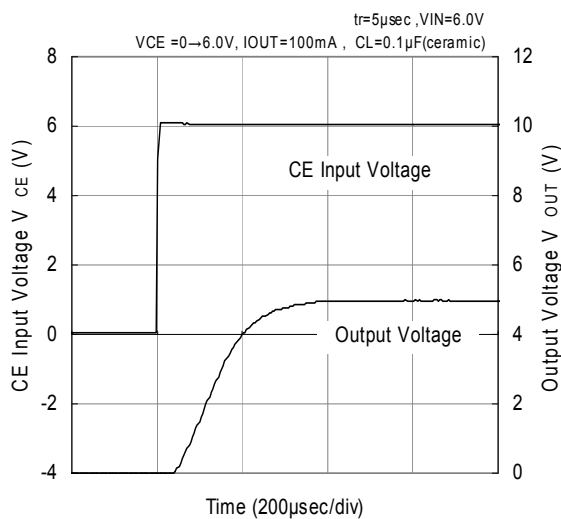
TYPICAL PERFORMANCE CHARACTERISTICS (Continued)

(11) CE Rising Response Time (For XC6215 Type)

XC6215B502

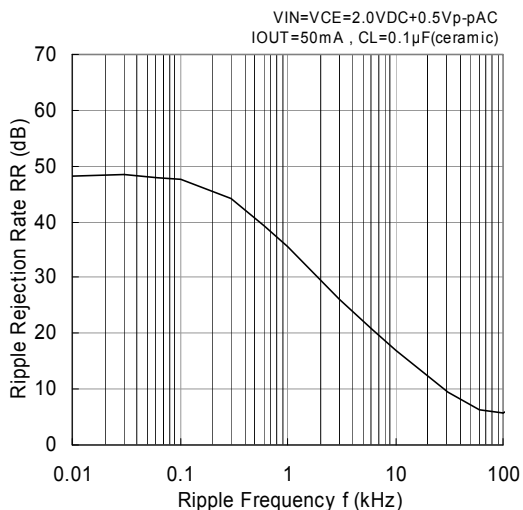


XC6215B502

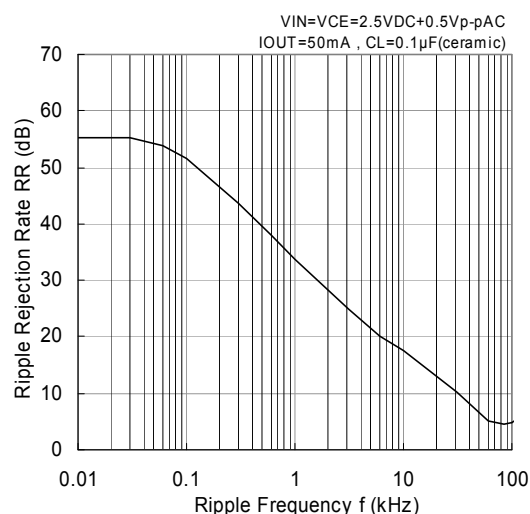


(12) Ripple Rejection Rate

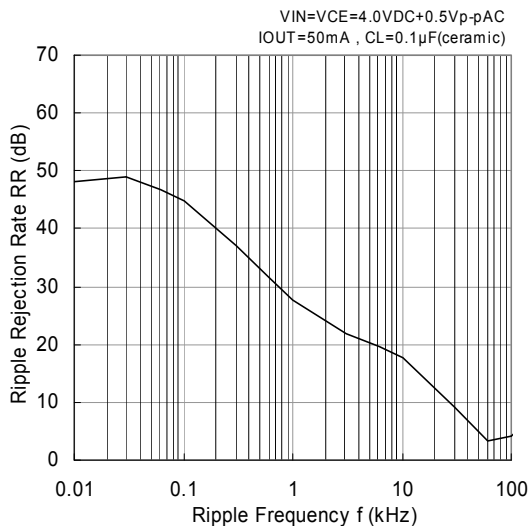
XC6215x092



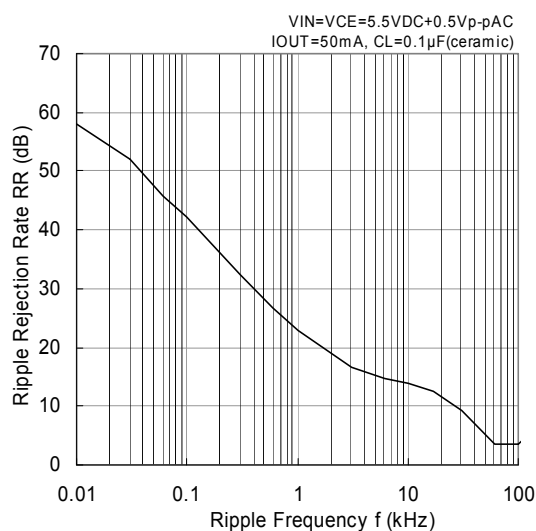
XC6215x152



XC6215x302

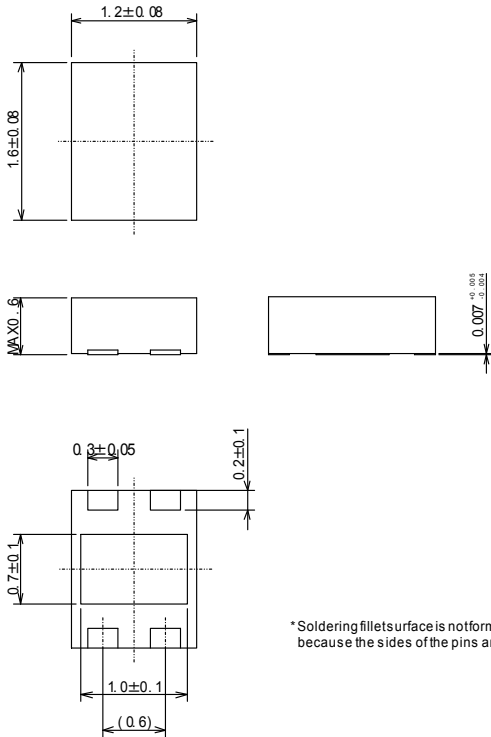


XC6215x502

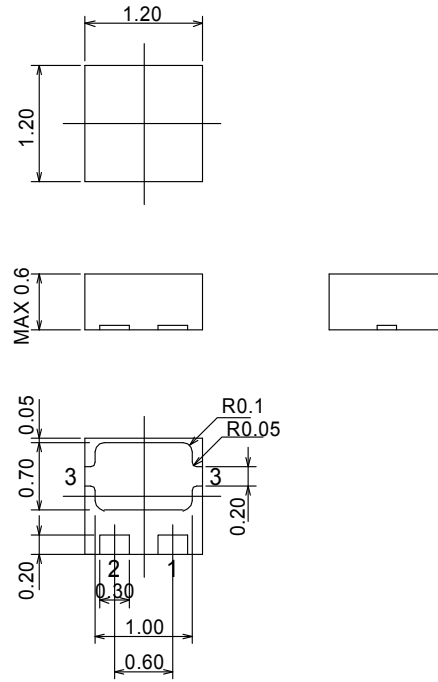


PACKAGING INFORMATION

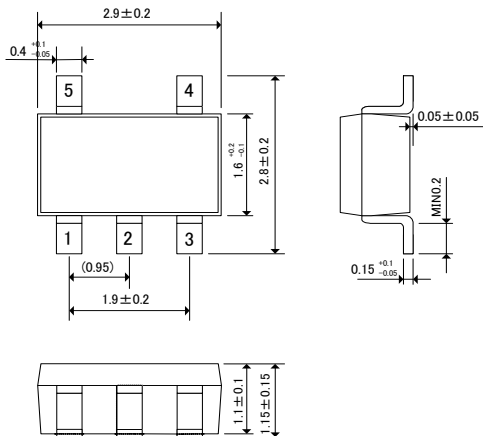
USP-4



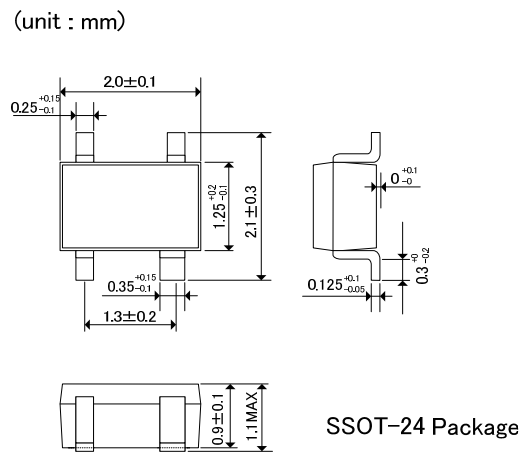
USP-3



SOT-25



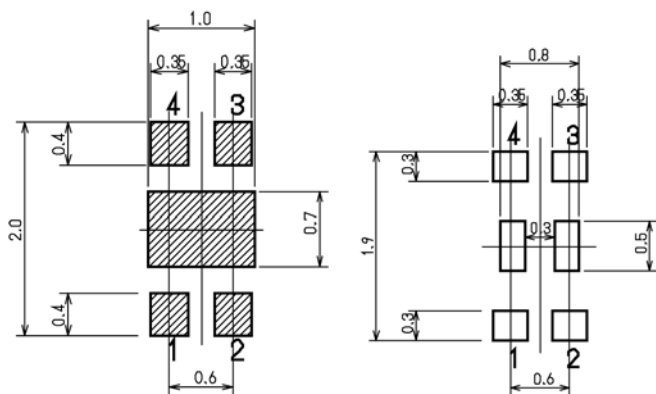
SSOT-24



PACKAGING INFORMATION (Continued)

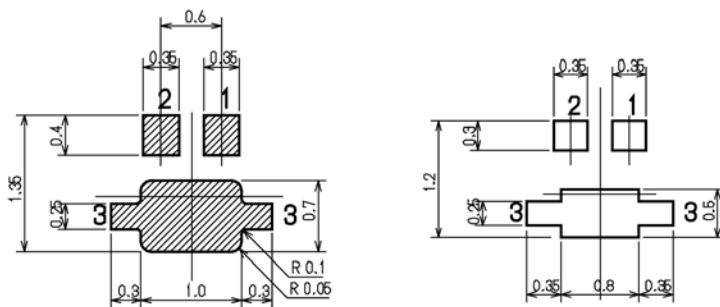
USP-4

Note: Reference metal mask design



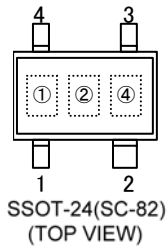
USP-3

Note: Reference metal mask design



MARKING RULE

SSOT-24



Represents type of regulator and output voltage range

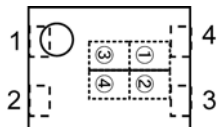
| MARK | TYPE | OUTPUT VOLTAGE RANGE | PRODUCT SERIES |
|------|---|----------------------|----------------|
| T | CE pin, High Active with no pull-down resistor built in | 0.9V ~ 3.0V | XC6215Bxxxxx |
| U | | 3.1V ~ 5.0V | |

Represents decimal point of output voltage

| MARK | OUTPUT VOLTAGE (V) | | | MARK | OUTPUT VOLTAGE (V) | | |
|------|--------------------|-----|---|------|--------------------|-----|---|
| 0 | - | 3.1 | - | F | 1.6 | 4.6 | - |
| 1 | - | 3.2 | - | H | 1.7 | 4.7 | - |
| 2 | - | 3.3 | - | K | 1.8 | 4.8 | - |
| 3 | - | 3.4 | - | L | 1.9 | 4.9 | - |
| 4 | - | 3.5 | - | M | 2.0 | 5.0 | - |
| 5 | - | 3.6 | - | N | 2.1 | - | - |
| 6 | - | 3.7 | - | P | 2.2 | - | - |
| 7 | - | 3.8 | - | R | 2.3 | - | - |
| 8 | 0.9 | 3.9 | - | S | 2.4 | - | - |
| 9 | 1.0 | 4.0 | - | T | 2.5 | - | - |
| A | 1.1 | 4.1 | - | U | 2.6 | - | - |
| B | 1.2 | 4.2 | - | V | 2.7 | - | - |
| C | 1.3 | 4.3 | - | X | 2.8 | - | - |
| D | 1.4 | 4.4 | - | Y | 2.9 | - | - |
| E | 1.5 | 4.5 | - | Z | 3.0 | - | - |

Represents production lot number
0 to 9, A to Z repeated. (G, I, J, O, Q, W excepted)
NOTE: No character inversion used.

USP-4, USP-3



USP-4
(TOP VIEW)

Represents product series

| MARK | PRODUCT SERIES |
|------|----------------|
| E | XC6215xxxxxx |

Represents type of regulator and output voltage range

| MARK | TYPE | OUTPUT VOLTAGE RANGE | PRODUCT SERIES |
|------|---|----------------------|----------------|
| T | CE pin, High Active with no pull-down resistor built in | 0.9V ~ 3.0V | XC6215xxxxxx |
| U | | 3.1V ~ 5.0V | |

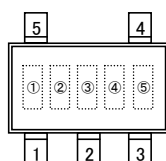
Represents output voltage

| MARK | OUTPUT VOLTAGE (V) | | | MARK | OUTPUT VOLTAGE (V) | | |
|------|--------------------|-----|---|------|--------------------|-----|---|
| 0 | - | 3.1 | - | F | 1.6 | 4.6 | - |
| 1 | - | 3.2 | - | H | 1.7 | 4.7 | - |
| 2 | - | 3.3 | - | K | 1.8 | 4.8 | - |
| 3 | - | 3.4 | - | L | 1.9 | 4.9 | - |
| 4 | - | 3.5 | - | M | 2.0 | 5.0 | - |
| 5 | - | 3.6 | - | N | 2.1 | - | - |
| 6 | - | 3.7 | - | P | 2.2 | - | - |
| 7 | - | 3.8 | - | R | 2.3 | - | - |
| 8 | 0.9 | 3.9 | - | S | 2.4 | - | - |
| 9 | 1.0 | 4.0 | - | T | 2.5 | - | - |
| A | 1.1 | 4.1 | - | U | 2.6 | - | - |
| B | 1.2 | 4.2 | - | V | 2.7 | - | - |
| C | 1.3 | 4.3 | - | X | 2.8 | - | - |
| D | 1.4 | 4.4 | - | Y | 2.9 | - | - |
| E | 1.5 | 4.5 | - | Z | 3.0 | - | - |

Represents production lot number
0 to 9, A to Z repeated. (G, I, J, O, Q, W excepted)
NOTE: No character inversion used.

MARKING RULE (Continued)

SOT-25



SOT-25
(TOP VIEW)

Represents product series

| MARK | PRODUCT SERIES |
|------|----------------|
| E | XC6215xxxxxx |

Represents type of regulators and output voltage range

| MARK | TYPE | OUTPUT VOLTAGE RANGE | PRODUCT SERIES |
|------|---|----------------------|----------------|
| T | CE pin, High Active with no pull-down resistor built in | 0.9V~3.0V | XC6215xxxxxx |
| U | | 3.1V~5.0V | |

Represents output voltage

| MARK | OUTPUT VOLTAGE (V) | | | MARK | OUTPUT VOLTAGE (V) | | |
|------|--------------------|-----|---|------|--------------------|-----|---|
| 0 | - | 3.1 | - | F | 1.6 | 4.6 | - |
| 1 | - | 3.2 | - | H | 1.7 | 4.7 | - |
| 2 | - | 3.3 | - | K | 1.8 | 4.8 | - |
| 3 | - | 3.4 | - | L | 1.9 | 4.9 | - |
| 4 | - | 3.5 | - | M | 2.0 | 5.0 | - |
| 5 | - | 3.6 | - | N | 2.1 | - | - |
| 6 | - | 3.7 | - | P | 2.2 | - | - |
| 7 | - | 3.8 | - | R | 2.3 | - | - |
| 8 | 0.9 | 3.9 | - | S | 2.4 | - | - |
| 9 | 1.0 | 4.0 | - | T | 2.5 | - | - |
| A | 1.1 | 4.1 | - | U | 2.6 | - | - |
| B | 1.2 | 4.2 | - | V | 2.7 | - | - |
| C | 1.3 | 4.3 | - | X | 2.8 | - | - |
| D | 1.4 | 4.4 | - | Y | 2.9 | - | - |
| E | 1.5 | 4.5 | - | Z | 3.0 | - | - |

Represents production lot number
0 to 9, A to Z repeated. (G, I, J, O, Q, W excepted)
NOTE: No character inversion used.

1. The products and product specifications contained herein are subject to change without notice to improve performance characteristics. Consult us, or our representatives before use, to confirm that the information in this datasheet is up to date.
2. We assume no responsibility for any infringement of patents, patent rights, or other rights arising from the use of any information and circuitry in this datasheet.
3. Please ensure suitable shipping controls (including fail-safe designs and aging protection) are in force for equipment employing products listed in this datasheet.
4. The products in this datasheet are not developed, designed, or approved for use with such equipment whose failure or malfunction can be reasonably expected to directly endanger the life of, or cause significant injury to, the user.
(e.g. Atomic energy; aerospace; transport; combustion and associated safety equipment thereof.)
5. Please use the products listed in this datasheet within the specified ranges.
Should you wish to use the products under conditions exceeding the specifications, please consult us or our representatives.
6. We assume no responsibility for damage or loss due to abnormal use.
7. All rights reserved. No part of this datasheet may be copied or reproduced without the prior permission of TOREX SEMICONDUCTOR LTD.

TOREX SEMICONDUCTOR LTD.