

Class-AB Speaker Amplifiers

1.1W to 1.5W

Monaural Speaker Amplifier



BD7830NUV

No.10077EAT03

●Description

The BD7830NUV is a monaural speaker amplifier that operates at low voltage and was developed for portable navigation and mobile audio products. When in standby mode, its current consumption is 0 μ A, and since it switches quickly and quietly from standby to ON, it is especially well suited for applications where there is frequent switching between standby and ON.

●Features

- 1) BTL monaural audio power amplifier
- 2) High power 2.25W 4 Ω at $V_{CC}=5V$,THD+N=10%
 High power 1.55W 8 Ω at $V_{CC}=5V$,THD+N=10%
 High power 0.77W 8 Ω at $V_{CC}=3.6V$,THD+N=10%
- 3) Wide operating supply voltage range: 2.4~5.5V
- 4) Low standby current: 0 μ A
- 5) Fast turn on/off time: 46msec
- 6) Built-in Fade-in/out function
- 7) Built-in anti-pop function
- 8) Built-in thermal shutdown function
- 9) Very small package (VSON008V2030)

●Applications

Mobile phones, Mobile electronics applications

●Absolute Maximum Ratings(Ta=+25°C)

Parameter	Symbol	Ratings	Unit
Supply voltage	V_{CC}	6.0	V
Power dissipation	P_d	530 ^{*1}	mW
Storage temperature range	T_{stg}	-55~+150	°C
STBY input range	V_{STBY}	-0.1~ $V_{CC}+0.1$	V

*1 ROHM standard one layer board (70mm × 70mm × 1.6mm) mounted, deratings is done at 4.24mW/°C above Ta=+25°C.

●Operating Range

Parameter	Symbol	Ratings	Unit
Temperature range	T_{opr}	-40~+85	°C
Supply voltage	V_{CC}	+2.4~+5.5	V

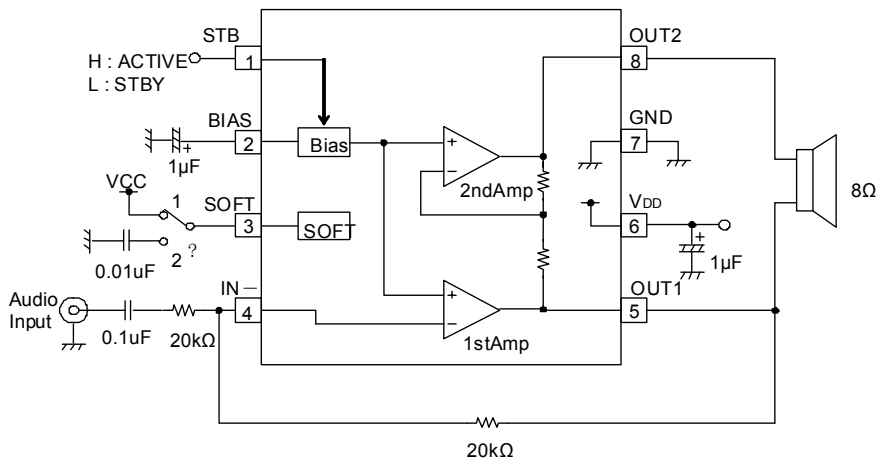
※ This product is not designed for protection against radioactive rays.

●Electrical characteristics (Unless otherwise noted, Ta=+25°C, V_{CC}=+3.0V, f=1kHz, RL=8Ω)

Parameter	Symbol	Limit			Unit	Monitor pin	Condition
		MIN.	TYP.	MAX.			
Supply current	I _{CC}	—	3.2	6.8	mA	6	Active mode
Standby supply current	I _{STBY}	—	0	2	μA	6	Standby mode
Output power	P _O	280	420	—	mW	5&8	BTL, THD+N=1% *1
Total harmonic distortion	THD+N	—	0.1	0.5	%	5&8	BTL, Po=150mW *1
Voltage gain1	A _{V1}	-1	0	+1	dB	5	Vin=-20dBV, 1stAmp
Voltage gain2	A _{V2}	-1	0	+1	dB	8	Vin=-20dBV, 2ndAmp
Power supply rejection ratio	PSRR	40	57	—	dB	5&8	BTL, Vripple=0.2Vpp *2
Mute attenuation	MUTE	60	80	—	dB	5&8	BTL, Vin=-20dBV
Output voltage	V _O	1.35	1.5	1.65	V	5&8	Vin=0V
Output offset voltage	ΔV _O	-40	0	+40	mV	5&8	ΔV _O = Vo1-Vo2
STBY release voltage	V _{STBYH}	1.4	—	V _{CC} +0.1	V	1	Active mode
STBY hold voltage	V _{STBYL}	-0.1	—	0.4	V	1	Standby mode
STBY input current H	I _{STBYH}	20	30	40	μA	1	V _{STBY} =3V
STBY input current L	I _{STBYL}	-2	0	—	μA	1	V _{STBY} =0V

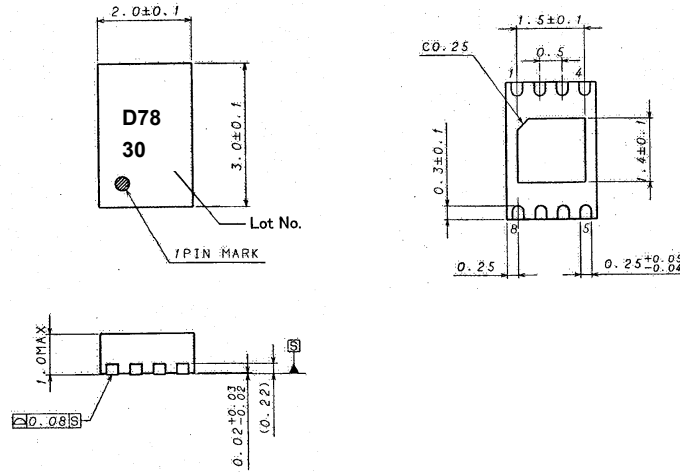
*1:B.W.=400~30kHz, *2:DIN AUDIO, SE:Single End, BTL:The voltage between 5pin and 8pin

●Application Circuit Example

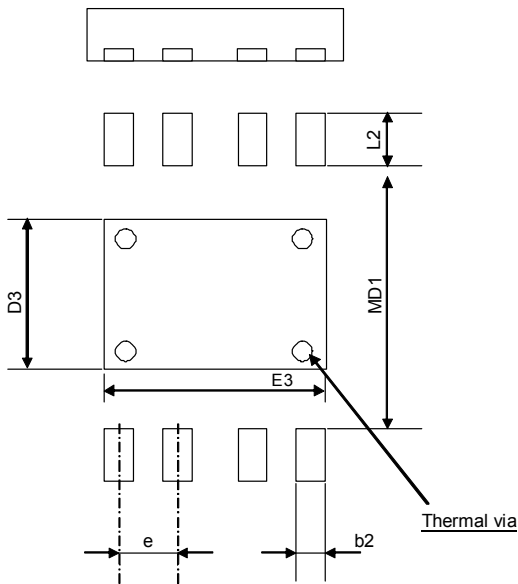


※3pin SOFT terminal
 1 : Usually
 2 : Enable to adjust fade in/out time by external capacitor

●Outer dimension



●Reference land pattern (adapt as necessary to suit conditions during actual design.)



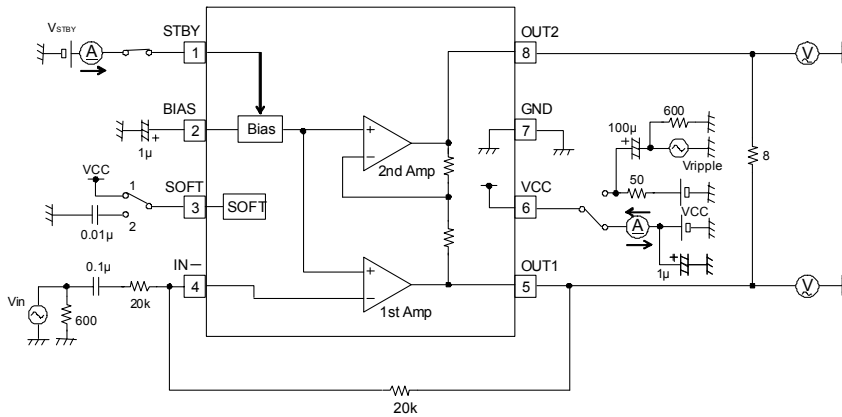
Unit: mm

PKG type	Lead pitch e	Land		
		Gap MD1	Length L2	Width b2
VSON008V2030	0.50	2.20	0.70	0.27

PKG type	Central pad		Thermal via	
	Length D3	Width E3	Pitch	Diameter
VSON008V2030	1.20	1.60	—	φ 0.300

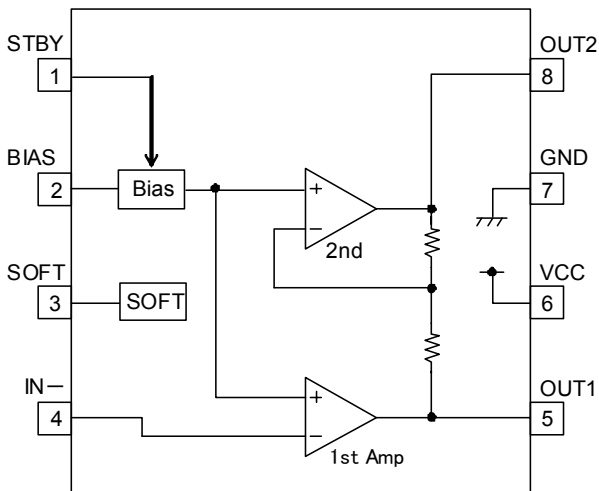
※ This package is a non-lead type, so solderability of the lead ends and sides are not guaranteed.

● Measurement Circuit Diagram



- ※3pin SOFT terminal
 1: Usually
 2: Enable to adjust fade in/out time by external capacitor

● Block diagram



● Pin assignment

PIN No.	PIN Name
1	STBY
2	BIAS
3	SOFT
4	IN-
5	OUT1
6	VCC
7	GND
8	OUT2

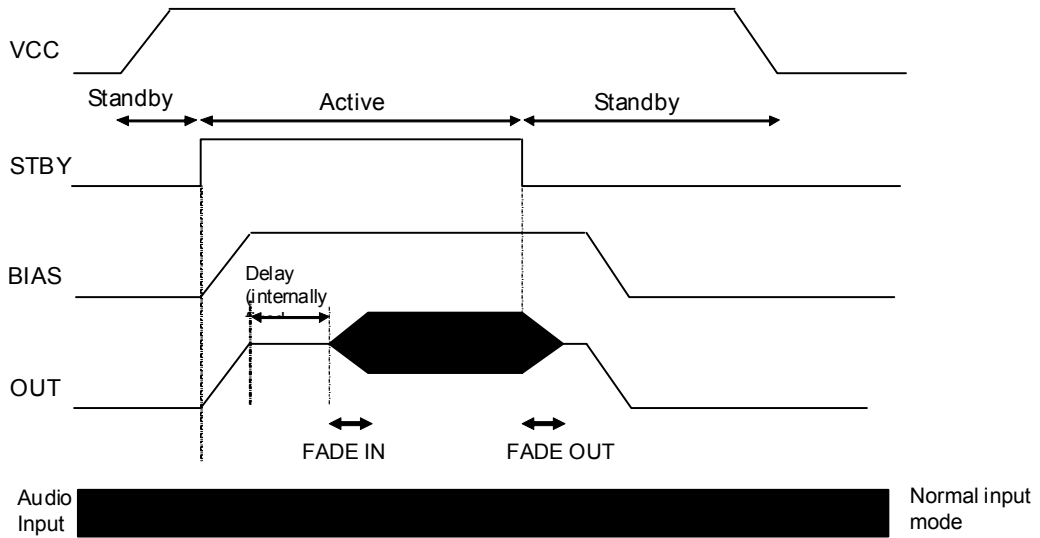
●Input/output equivalent circuit

PIN No.	PIN Name	PIN description	Equivalent circuit
1	STBY	Active/Standby Control pin STBY=H → Active STBY=L → Standby	
2	BIAS	Bias capacitor Connection pin	
3	SOFT	Fade-in/out Adjustment pin	
4	IN-	Input pin	
5 8	OUT1 OUT2	Output pin	
6	VCC	Power supply pin	
7	GND	GND pin	

Notes) The above numerical values are typical values for the design, which are not guaranteed.

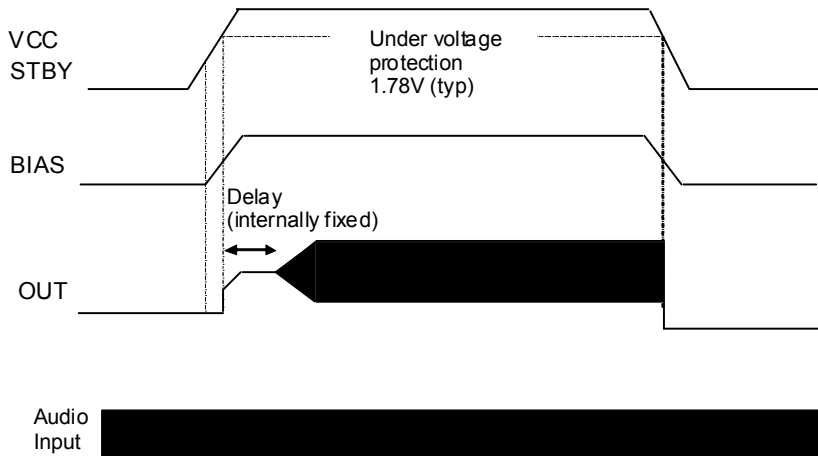
●Description of operations

①ON/OFF operation by STBY pin



Once VCC = H, when STBY = L → H then BIAS and output (OUT) are activated.
 Once BIAS has become stable (= 1/2 VCC), output (OUT) fades in (FADE IN).
 Once STBY = H → L, output (OUT) starts to fade out (FADE OUT), and when fade-out ends, the BIAS falls.

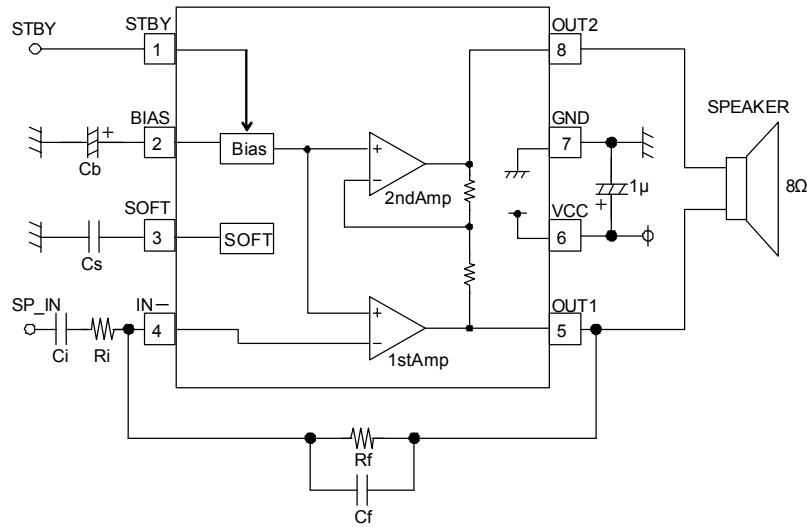
②ON/OFF control by shorting of VCC and STBY pins



When VCC = STBY = L → H, BIAS is activated. During low power mode (VCC < 1.78 V) protection is used to keep output (OUT) at low level, and FADE IN occurs when this protection is canceled. When VCC = STBY = H → L, output (OUT) falls without FADE OUT.

●External components and cautions points

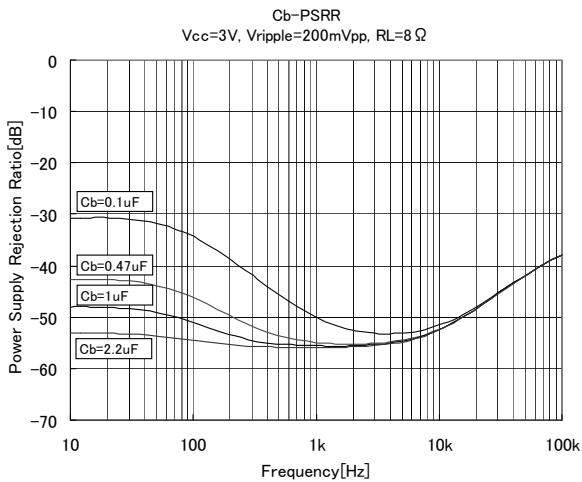
Setting of external components



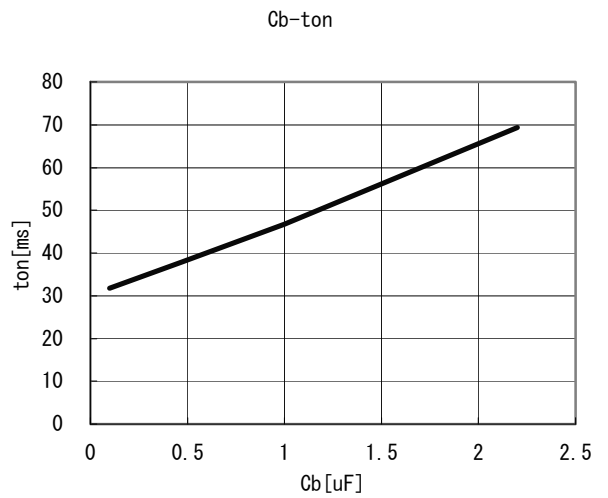
●Cb

This is a bypass capacitor, which is used for bias voltage stabilization. When a larger capacitor is used, the efficiency of voltage ripple rejection can be improved. When tuning, note with caution that Cb can affect the activation time.

Cb – Power Supply Ripple Rejection Ratio



Cb – Turn-on Time

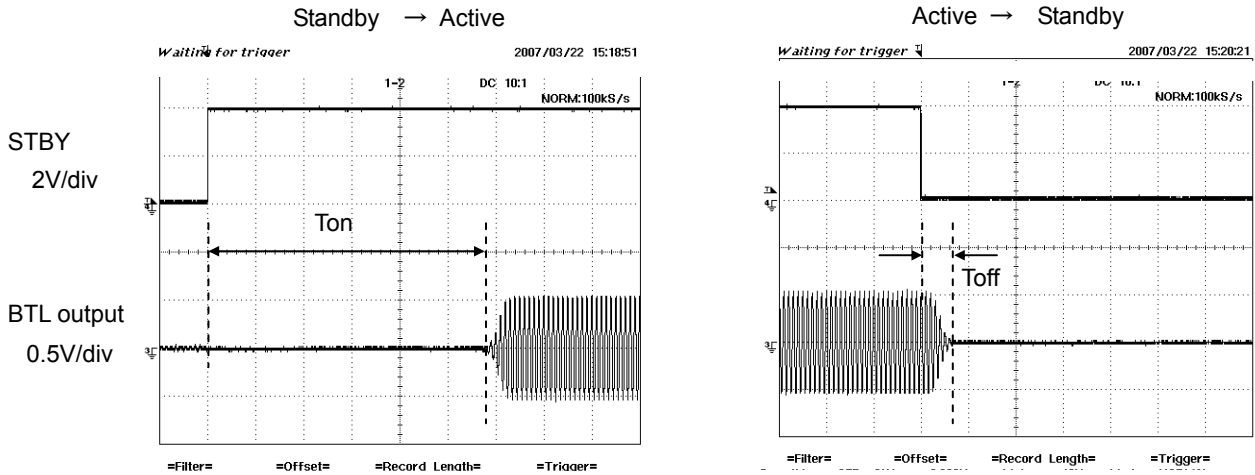


●Cs

This capacitor is for adjustment of the FADE IN/OUT times. The FADE IN/OUT functions soften the operation (IN and OUT) of BTL output when switching between standby and active modes.

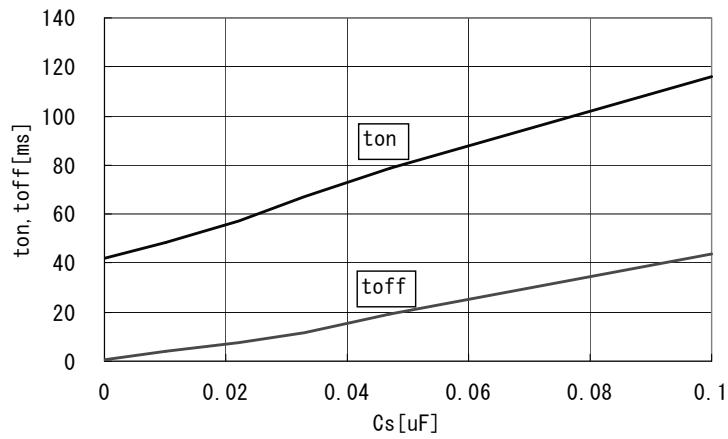
When a capacitor is connected to the SOFT pin (pin 3), the FADE IN/OUT functions are valid. When the capacitor rating is increased, the FADE IN/OUT effect is also increased, but note with caution when setting this that it also affects the activation time. If the FADE IN/OUT functions are not being used, connect the SOFT pin (pin 3) to VCC.

- Fade-in/out waveforms



Cs - Fade-in/out Time

Cs-ton, toff



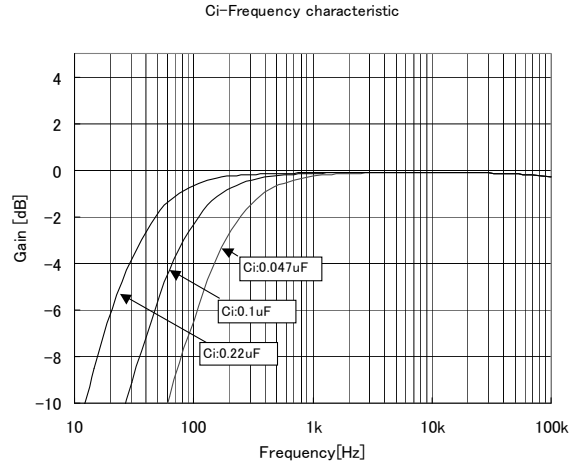
●Ci

This is a DC cut-off input coupling capacitor for the amp input pin.

This includes an Ri and a high-pass filter. The cut-off frequency is calculated as follows.

$$f_{CL} = \frac{1}{2\pi \times R_i \times C_i} \quad [\text{Hz}]$$

Ci – Low Frequency Characteristics



Capacitors of a certain size are required for coupling without attenuation of low frequencies, but in most cases of speakers used in portable equipment, it is nearly impossible to reproduce signals in the 100 to 200 Hz range or below. Even when a larger capacitor is used instead, it may not improve system performance. Also, pop sounds can affect the capacitance (Ci) of the capacitor. A larger coupling capacitor requires a greater charge to reach the bias DC voltage (normally 1/2 VCC). Because this charge current is supplied from the output due to routing of feedback, pop sounds occur easily at startup. Consequently, pop sounds can be minimized by selecting the smallest capacitor that still has the required low-frequency response.

●Ri

This is inverting input resistance, which sets the closed loop gain in conjunction with Rf.

●Rf

This is feedback resistance, which sets closed loop gain in conjunction with Ri. The amp gain is set using the following formula.

$$\text{Gain} = 20 \log \left(\frac{R_f}{R_i} \right) \quad [\text{dB}]$$

●Cf

This is a feedback capacitor, which is used to cut high frequencies.

This includes Rf and a low-pass filter. The cut-off frequency is calculated as follows.

$$f_{CL} = \frac{1}{2\pi \times R_i \times C_i} \quad [\text{Hz}]$$

● Selection of external components

① Setting gain from desired output

Output P_o is determined via the following formula, from which the required gain A_v can also be obtained.

$$P_o [\text{W}] = V_o^2 [\text{V}_{\text{rms}}] / R_L [\Omega]$$

$$V_o = A_v \cdot V_{\text{in}}$$

$$A_v \geq \sqrt{P_o \cdot R_L} / V_{\text{in}}$$

② Setting input resistance and feedback resistance from gain

Gain A_v is determined via the following formula, from which input resistance R_{in} and feedback resistance R_f can be set.

$$A_v = (R_f / R_{\text{in}}) \cdot 2$$

R_{in} is set with the input side's drive capacity taken into account.

③ Setting input coupling capacitor from low-range cut-off frequency

Low-range cut-off frequency f_c is determined via the following formula, from which input coupling capacitor C_{in} can be set.

$$f_c [\text{Hz}] = 1 / (2\pi \cdot R_{\text{in}} \cdot C_{\text{in}})$$

$$C_{\text{in}} \geq 1 / (2\pi \cdot R_{\text{in}} \cdot f_c)$$

④ Setting bias capacitor and SOFT capacitor to minimize pops

It is recommended that the capacitance of the bias capacitor C_B be set to at least 10 times that of the input coupling capacitor C_{in} , in order to soften the rise of the bias voltage while improving the C_{in} following ability.

Also, when a higher gain is used, the capacitance of the SOFT capacitor C_s can be raised to control pop sounds.

$$A_v = 2 \text{ (6 dB at BTL)} \rightarrow C_s \cdot (80 / f_c) \geq 0.01 \mu\text{F}$$

$$A_v = 4 \text{ (12 dB at BTL)} \rightarrow C_s \cdot (80 / f_c) \geq 0.022 \mu\text{F}$$

$$A_v = 8 \text{ (18 dB at BTL)} \rightarrow C_s \cdot (80 / f_c) \geq 0.033 \mu\text{F}$$

$$A_v = 20 \text{ (26 dB at BTL)} \rightarrow C_s \cdot (80 / f_c) \geq 0.068 \mu\text{F}$$

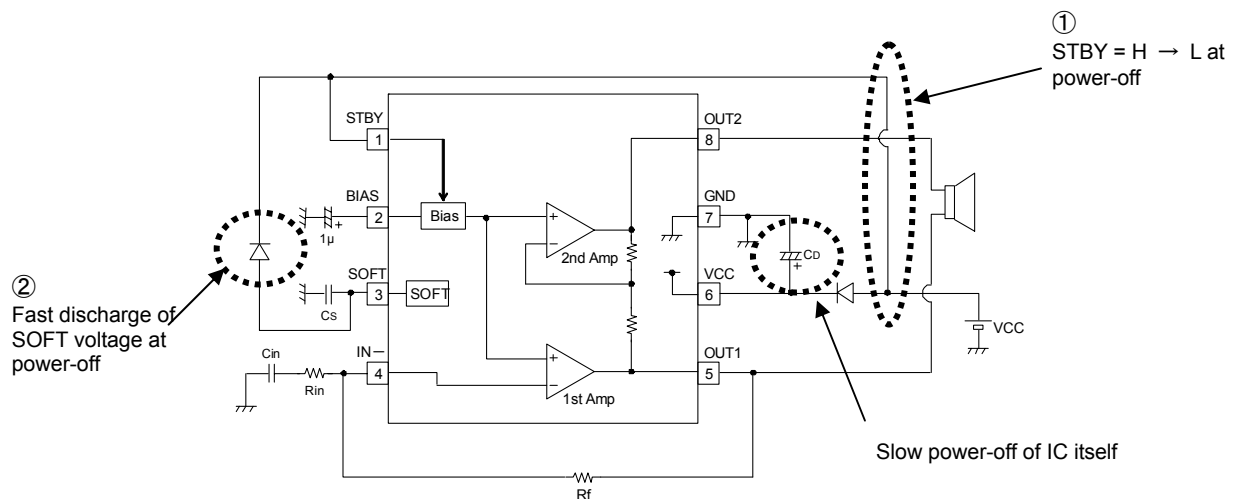
● Use when VCC = STBY short

Since this IC is designed on the assumption that it will be used to switch standby mode ON and OFF while the power supply remains ON, normally STBY should be switched from H to L and the SOFT voltage should be discharged before powering down. When used while VCC = STBY short, pop sounds may occur if the IC's power supply is reduced prior to discharging the SOFT voltage.

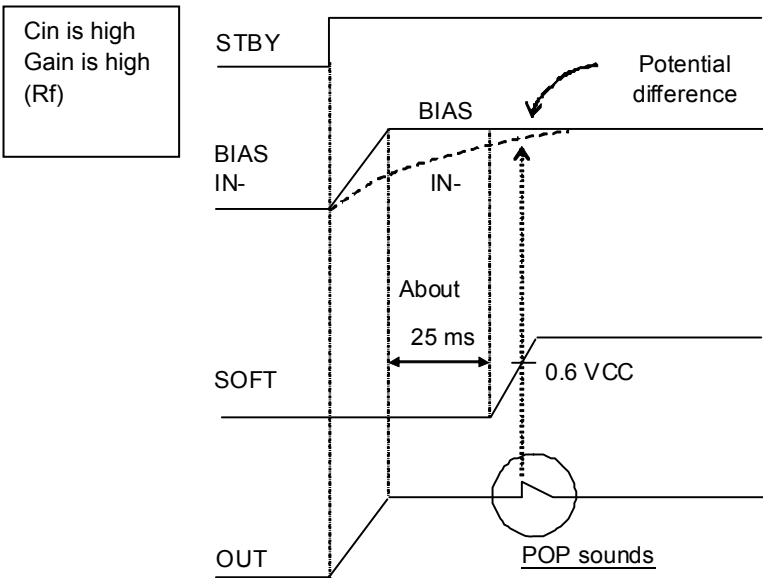
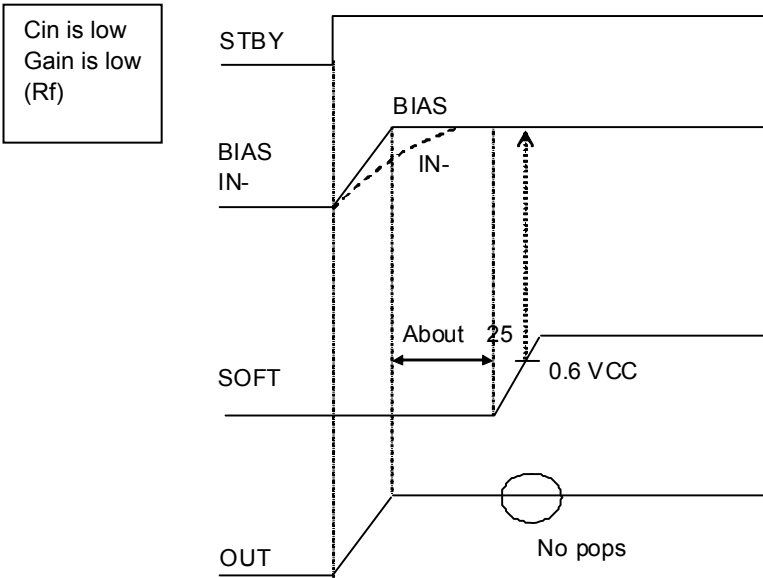
To prevent pop sounds, you must ① set STBY = H → L before setting VCC = H → L, and ② forcibly discharge the SOFT voltage.

A sample circuit in which VCC = STBY short is used is shown below.

- Sample circuit configuration when VCC = STBY short



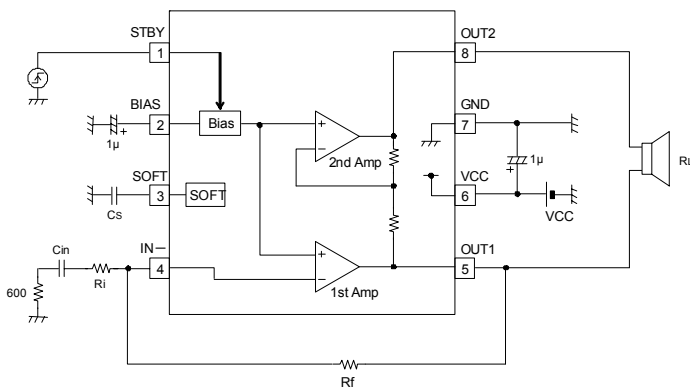
●Mechanism of pop sounds



When SOFT voltage reaches 0.6 VCC, if there is a potential difference between BIAS and IN-, pop sounds will occur.

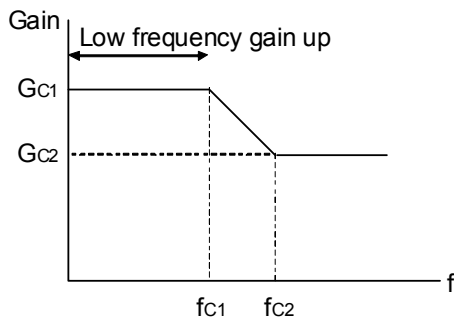
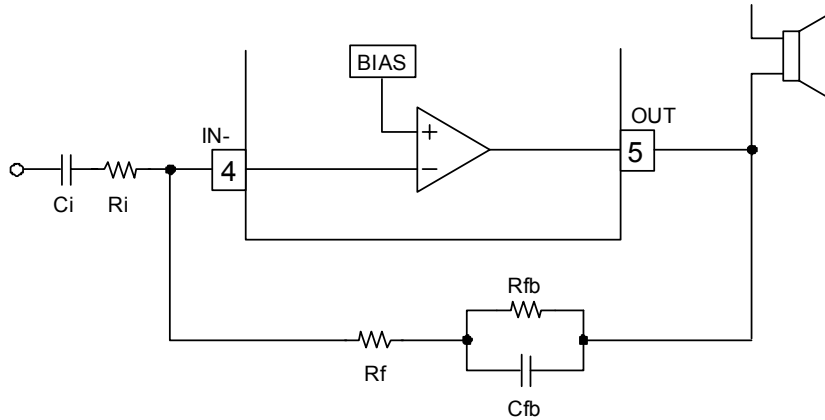
At startup, the input coupling C_{in} is charged from output OUT via the feedback resistance R_f , so when C_{in} and R_f are high, charging takes longer and pop sounds can easily occur.

The rise of the SOFT voltage is changed by C_s , so pop sounds can be reduced by setting C_s high.



● **Bass boost function**

External components can be added to this chip to provide a bass boost function.



$$f_{C2} = \frac{1}{2\pi * C_{fb} * R_f} \quad [Hz]$$

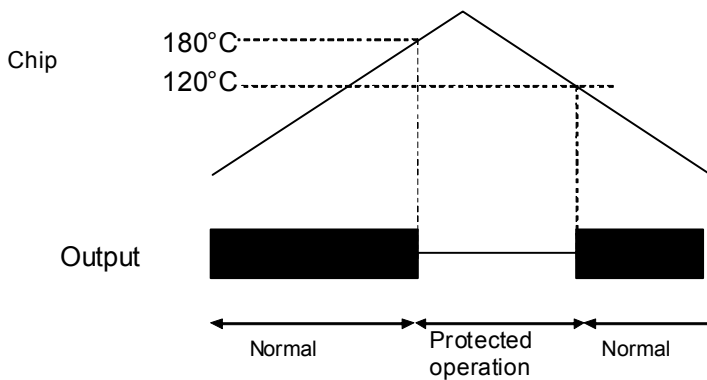
$$f_{C1} = \frac{1}{2\pi * C_{fb} * (R_f // R_{fb})} \quad [Hz]$$

$$G_{C1} = 20 \log \frac{R_f + R_{fb}}{R_i} \quad [dB]$$

$$G_{C2} = 20 \log \frac{R_f}{R_i} \text{ (normal use)} \quad [dB]$$

● **Thermal shutdown function**

When the chip exceeds the Tjmax (150°C) temperature by reaching a temperature of 180°C or above, the protection function is activated. High impedance is for OUT1 and OUT2 during protected mode. Protection is canceled and normal operation is resumed when the chip's temperature falls to 120°C or below.



Protection start temperature: 180°C (typ) or more
 Protection cancels temperature: 120°C (typ) or less

● Thermal design of chip

The characteristics of the IC vary greatly depending on the use temperature, and when the maximum allowable junction temperature is exceeded, components may deteriorate or become damaged. Thermal considerations are needed for this chip from two standpoints: preventing instantaneous damage and improving long-term reliability. Note the following points with caution.

The absolute maximum ratings for each chip include the maximum junction temperature (T_{jMAX}) and operating temperature rate (T_{opr}), and these values should be referred to when using the Pd-Ta characteristics (thermal dissipation curve).

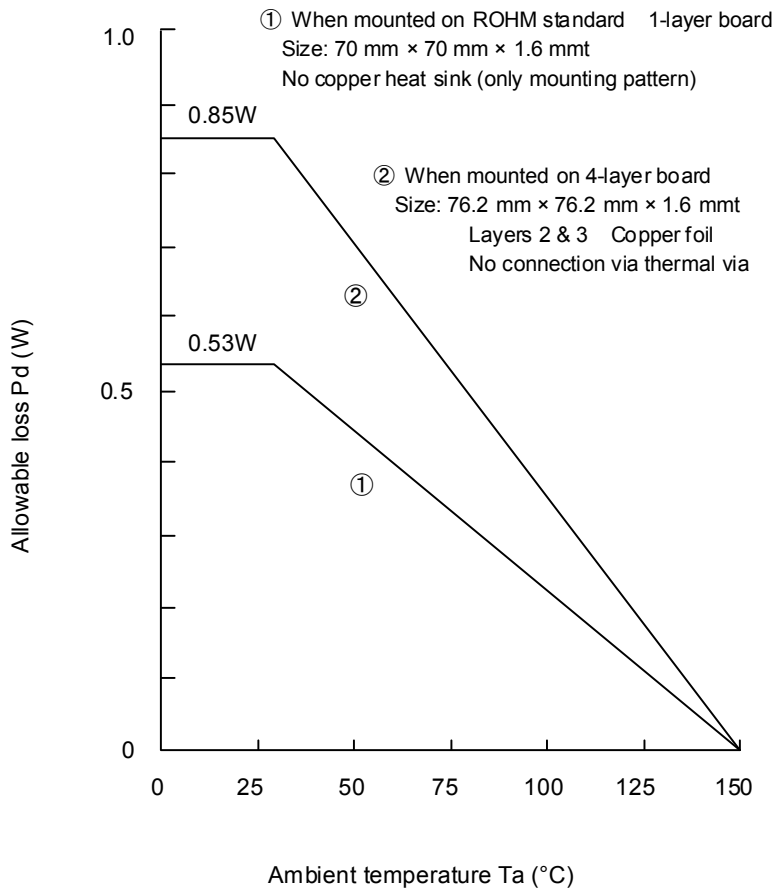
Since the IC itself is designed with full consideration of thermal balance, there are no problems in terms of circuit operations, but even when a more-than-adequate thermal design is implemented in order to get full use of the IC's performance features, some moderation is often required for the sake of practical usage.

If there is an excessive input signal due to insufficient thermal dissipation, a TSD (thermal shutdown) operation may occur.

Thermal Dissipation Curve

Reference data

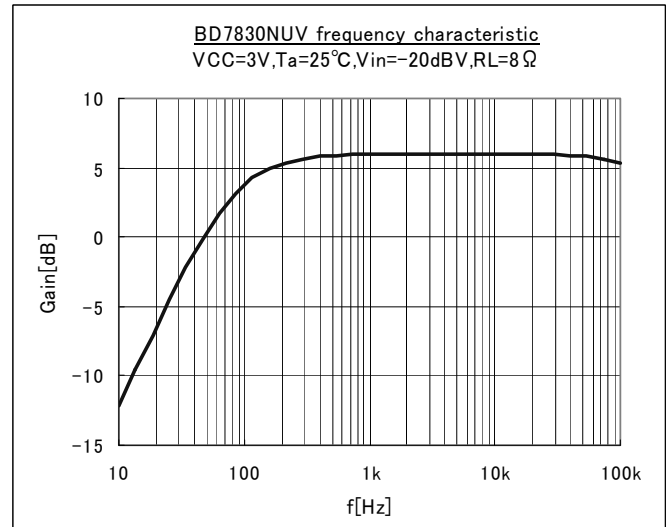
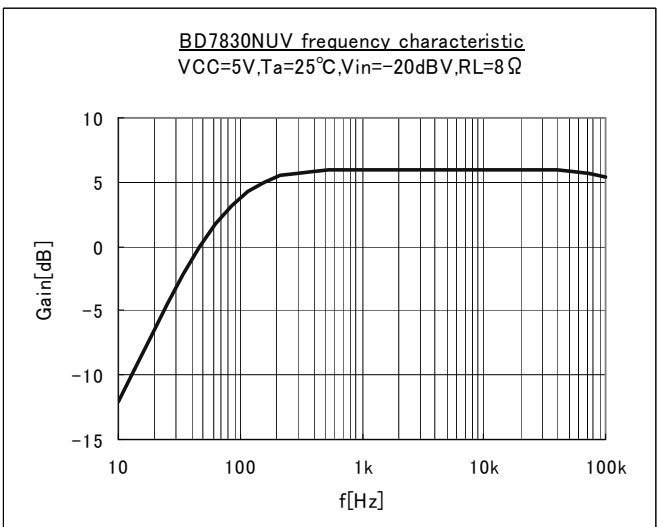
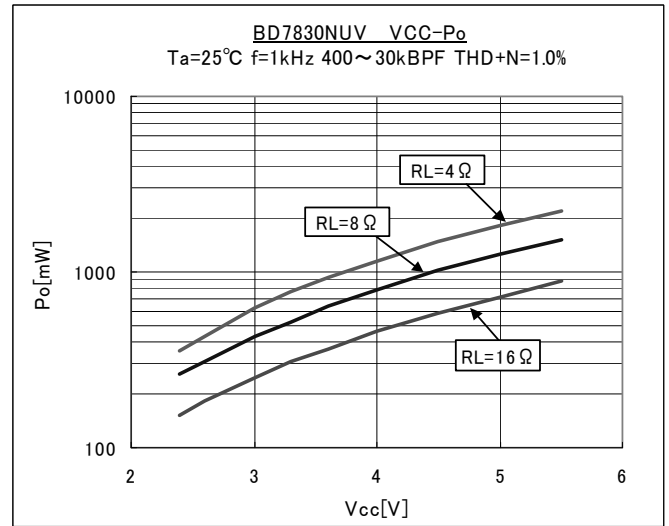
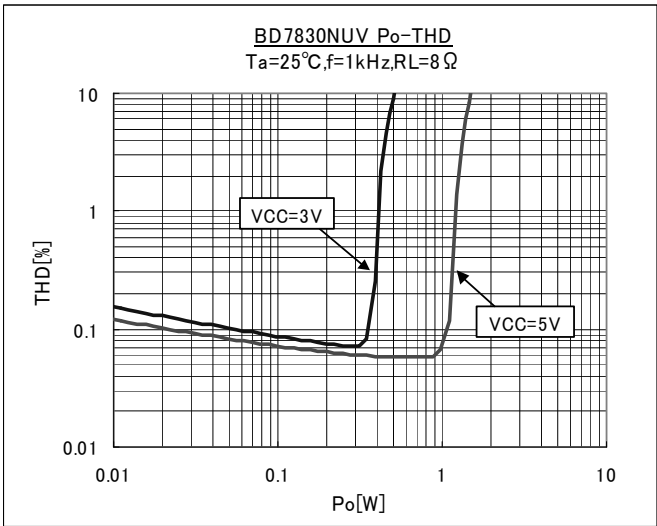
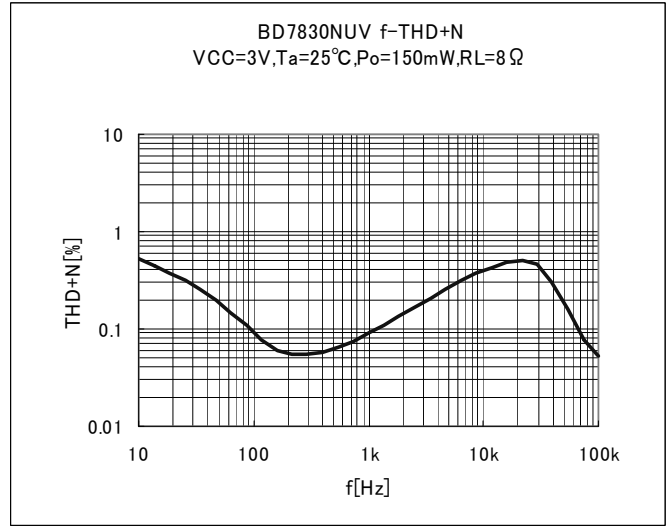
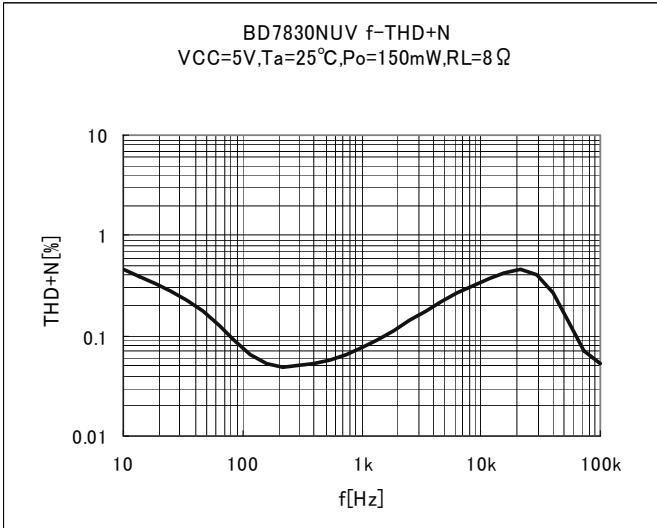
VSON008V2030



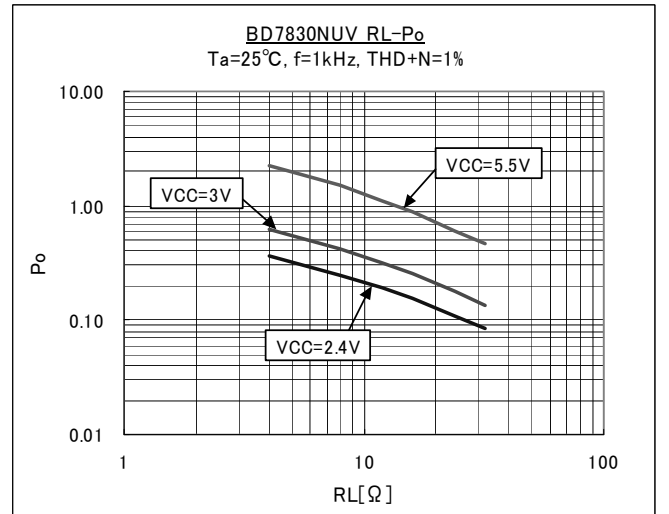
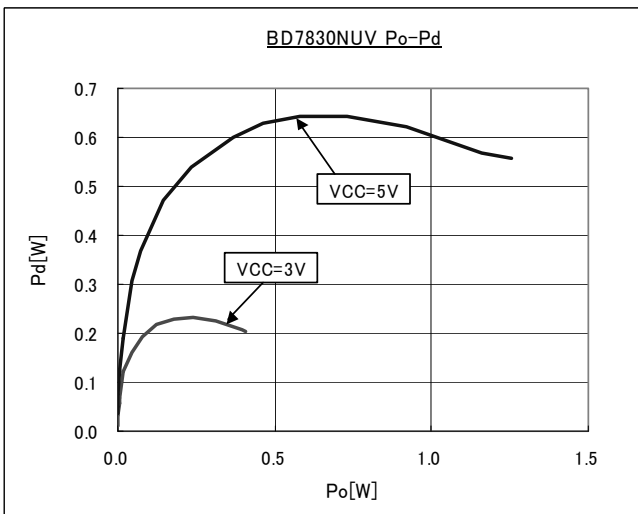
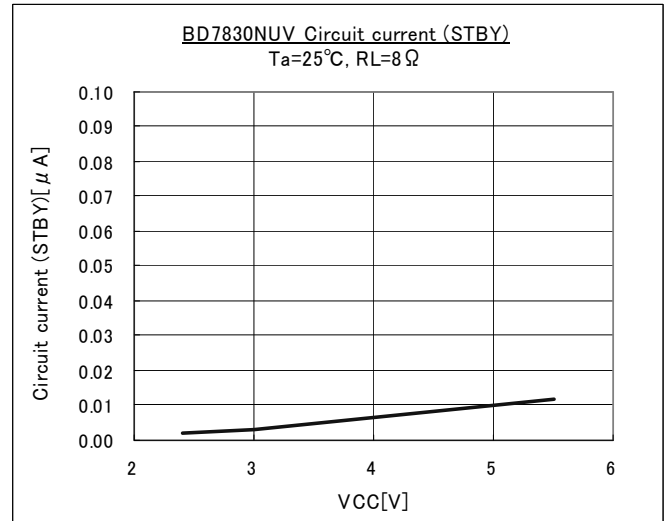
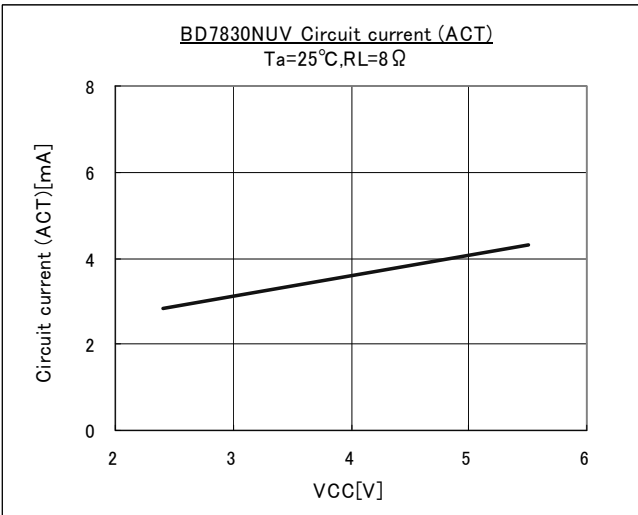
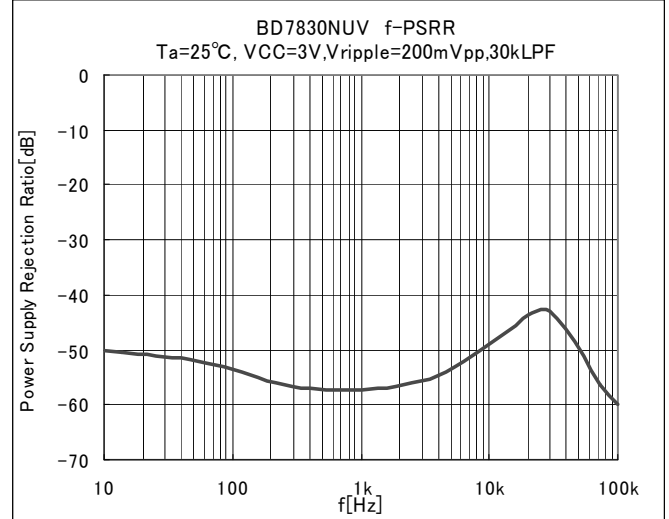
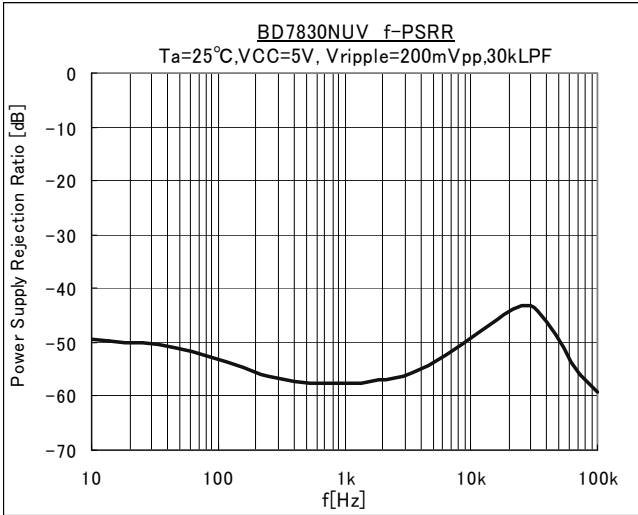
(Note) These are measured values. They are not guaranteed.

The allowable loss value varies depending on the type of board used for mounting. When this chip is mounted on a multi-layer board that is designed for thermal dissipation, the allowable loss becomes greater than shown in the above figure.

● Typical Characteristics (1)



● Typical Characteristics (2)



●Notes for use

- 1) The above numerical values and data are typical values for the design, which are not guaranteed.
- 2) The application circuit examples can be reliably recommended, but their characteristics should be checked carefully before use. When using external component constants that have been modified, determine an ample margin that takes into consideration variation among the external components and Rohm's LSI IC chips, including variation in static characteristics and transient characteristics.
- 3) Absolute maximum ratings
This IC may be damaged if the absolute maximum ratings for the applied voltage, temperature range, or other parameters are exceeded. Therefore, avoid using a voltage or temperature that exceeds the absolute maximum ratings. If it is possible that absolute maximum ratings will be exceeded, use fuses or other physical safety measures and determine ways to avoid exceeding the IC's absolute maximum ratings. The above numerical values and data are typical values for the design, which are not guaranteed.
- 4) GND pin's potential
Try to set the minimum voltage for GND pin's potential, regardless of the operation mode.
Check that the voltage of each pin does not go below GND pin's voltage, including transient phenomena.
- 5) Shorting between pins and mounting errors
When mounting the IC chip on a board, be very careful to set the chip's orientation and position precisely. When the power is turned on, the IC may be damaged if it is not mounted correctly. The IC may also be damaged if a short occurs (due to a foreign object, etc.) between two pins, between a pin and the power supply, or between a pin and the GND.
- 6) Shorting output pin
When output pin (5,8pin) is shorted to VCC or GND, the IC may be damaged by over current, so be careful in operation.
- 7) Thermal design
Ensure sufficient margins to the thermal design by taking in to account the allowable power dissipation during actual use modes, because this IC is power amp.
When excessive signal inputs which the heat dissipation is insufficient condition, it is possible that TSD (thermal shutdown circuit) is active.
TSD is protection of the heat by excessive signal inputs, it is not protection of the shorting output to VCC or GND.
- 8) Shorted pins and mounting errors
When the output pins (pins 5 and 8) are connected to VCC and GND, the thermal shutdown function repeatedly switches between shutdown (OFF) and cancel (ON). Note with caution that chip damage may occur if these connections remain for a long time.
- 9) Operating range
The rated operating power supply voltage range(VCC=+2.4 ~ +5.5V) and the rated operation temperature range (Ta=-40~+85°C) are the range by which basic circuit functions is operated.
It is not guaranteed a specification and a rated output power about all operating power supply voltage range or operation temperature range.
- 10) Operation in strong magnetic fields
Note with caution that operation faults may occur when this IC operates in a strong magnetic field.

●Ordering part number

B	D
---	---

Part No.

7	8	3	0
---	---	---	---

Part No.

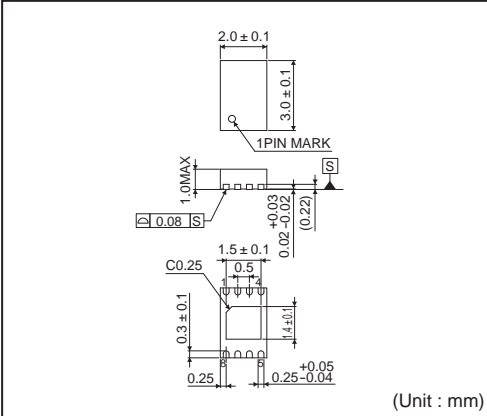
N	U	V
---	---	---

Package
NUV:VSON008V2030

T	R
---	---

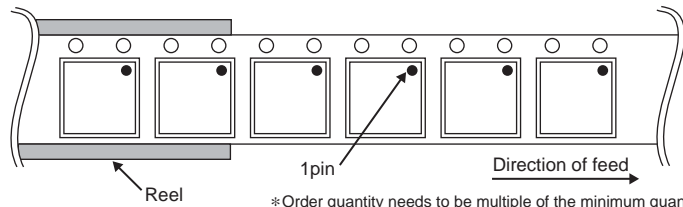
Packaging and forming specification
TR: Embossed tape and reel

VSON008V2030



<Tape and Reel information>

Tape	Embossed carrier tape
Quantity	3000pcs
Direction of feed	TR (The direction is the 1pin of product is at the upper right when you hold reel on the left hand and you pull out the tape on the right hand)



*Order quantity needs to be multiple of the minimum quantity.

Notes

No copying or reproduction of this document, in part or in whole, is permitted without the consent of ROHM Co.,Ltd.

The content specified herein is subject to change for improvement without notice.

The content specified herein is for the purpose of introducing ROHM's products (hereinafter "Products"). If you wish to use any such Product, please be sure to refer to the specifications, which can be obtained from ROHM upon request.

Examples of application circuits, circuit constants and any other information contained herein illustrate the standard usage and operations of the Products. The peripheral conditions must be taken into account when designing circuits for mass production.

Great care was taken in ensuring the accuracy of the information specified in this document. However, should you incur any damage arising from any inaccuracy or misprint of such information, ROHM shall bear no responsibility for such damage.

The technical information specified herein is intended only to show the typical functions of and examples of application circuits for the Products. ROHM does not grant you, explicitly or implicitly, any license to use or exercise intellectual property or other rights held by ROHM and other parties. ROHM shall bear no responsibility whatsoever for any dispute arising from the use of such technical information.

The Products specified in this document are intended to be used with general-use electronic equipment or devices (such as audio visual equipment, office-automation equipment, communication devices, electronic appliances and amusement devices).

The Products specified in this document are not designed to be radiation tolerant.

While ROHM always makes efforts to enhance the quality and reliability of its Products, a Product may fail or malfunction for a variety of reasons.

Please be sure to implement in your equipment using the Products safety measures to guard against the possibility of physical injury, fire or any other damage caused in the event of the failure of any Product, such as derating, redundancy, fire control and fail-safe designs. ROHM shall bear no responsibility whatsoever for your use of any Product outside of the prescribed scope or not in accordance with the instruction manual.

The Products are not designed or manufactured to be used with any equipment, device or system which requires an extremely high level of reliability the failure or malfunction of which may result in a direct threat to human life or create a risk of human injury (such as a medical instrument, transportation equipment, aerospace machinery, nuclear-reactor controller, fuel-controller or other safety device). ROHM shall bear no responsibility in any way for use of any of the Products for the above special purposes. If a Product is intended to be used for any such special purpose, please contact a ROHM sales representative before purchasing.

If you intend to export or ship overseas any Product or technology specified herein that may be controlled under the Foreign Exchange and the Foreign Trade Law, you will be required to obtain a license or permit under the Law.



Thank you for your accessing to ROHM product informations.
More detail product informations and catalogs are available, please contact us.

ROHM Customer Support System

<http://www.rohm.com/contact/>