

# CRYSTAL UNITS

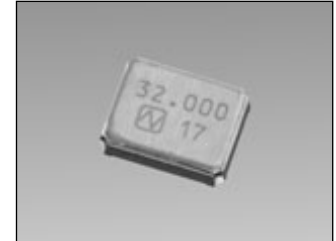
For OA•AV•Bluetooth

## SURFACE MOUNT TYPE CRYSTAL UNITS / NX3225DA

This is ultra small surface mount type crystal unit.

### Features

- Ultra compact, thin and light weight (3.2×2.5×0.6 mm typ., 17mg typ.).
- Excellent heat resistance and environmental characteristics.
- Excellent electric performance optimum for OA (office automation), AV (audio & visual) and Bluetooth applications are exhibited.
- Products that are lead-free. These can meet the requirements of re-flow profiling using lead-free solder.



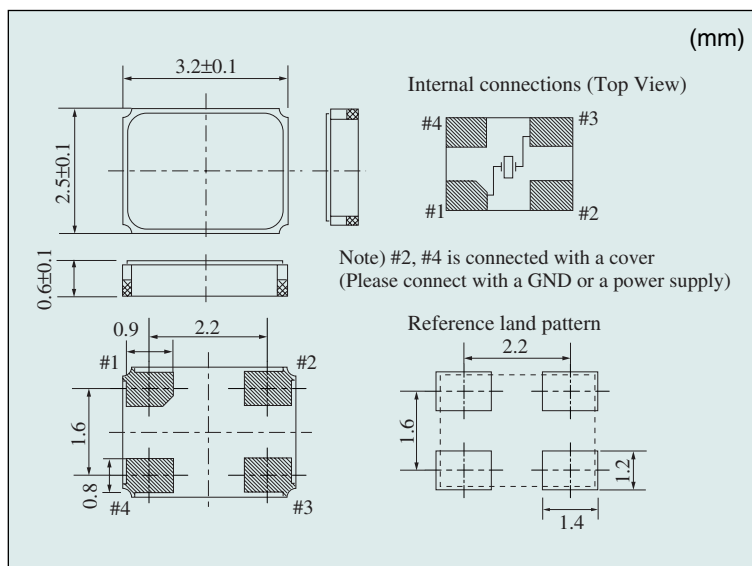
### Specification

Item	Type	NX3225DA	
Application		For Audio & Visual/Office Automation	For Bluetooth
Frequency Range		14.31818 ~ 55 MHz	
Overtone		Fundamental	
Frequency Tolerance (25±3°C)		± 15 ~ 50 × 10 <sup>-6</sup>	± 10 × 10 <sup>-6</sup>
Temperature Characteristics (in reference to +25°C)		± 15 ~ 50 × 10 <sup>-6</sup>	± 10 ~ 15 × 10 <sup>-6</sup>
Operating Temperature Range		- 10 ~ + 75°C	- 10 ~ + 60°C
Equivalent Series Resistance		※ See table	
Drive Level		50 μW (200 μW max)	10 μW (100 μW max)
Standard Load Capacitance		8 pF	10 pF
Operable Temperature Range		- 40 ~ + 85°C	

Typical Frequency (MHz)

AV/OA	14.31818	16.0	16.384	18.432	18.87	20.0	22.0
	22.5792	24.576	27.0	28.63636	30.0	40.0	48.0
Bluetooth	16.0	20.0	24.0	26.0	32.0		

### Dimensions



※ Table Equivalent Series Resistance (Ω)

Frequency Range (MHz)	Equivalent Series Resistance (Ω)
14.31818 ~ 30	100 max
30 ~ 55	50 max