

2 mm Square Low-Profile SMT Trimmer Potentiometers (Cermet, Open Frame Type)

Type: **EVM2T**
EVM2N
EVM2W



2T



2N



2W

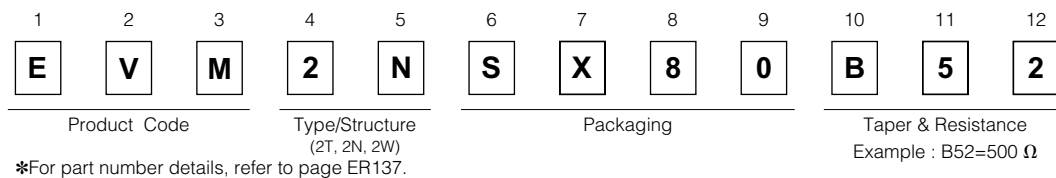
■ Features

- Low-profile
0.7 mm (0.75 mm max.) EVM2T
0.81 mm (0.95 mm max.) EVM2N
1.05 mm (1.2 mm max.) EVM2W
- Automatic adjustment type (EVM2W)
- High reliability realized by cermet element
- Excellent mountability
- Conforms to JIS C5260-1:1999

■ Recommended Applications

- Audio/visual, office, and communication equipment
- General electronic equipment

■ Explanation of Part Numbers



■ Specifications

Total Resistance Value Resistance Tolerance	100 Ω to 1 MΩ ±25 %
Power Rating Maximum Operating Voltage	0.15 W 50 V
Rotation Torque	EVM2T, EVM2N : 0.5 to 10 mN·m EVM2W : 1 to 15 mN·m
Temperature Coefficient of Resistance	±250 × 10 ⁻⁶ /°C


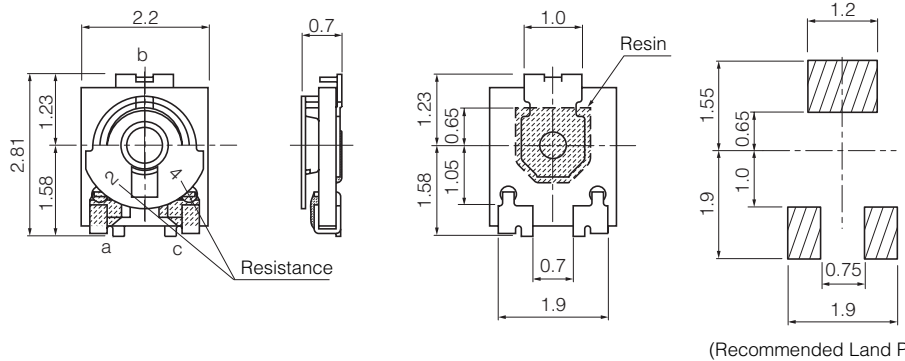
■ Minimum Quantity/Packing Unit

Part Number	Taping		
	Quantity per reel	Packaging quantity	Dia. of reel (mm)
EVM2T EVM2N EVM2W	3000	15000	φ178


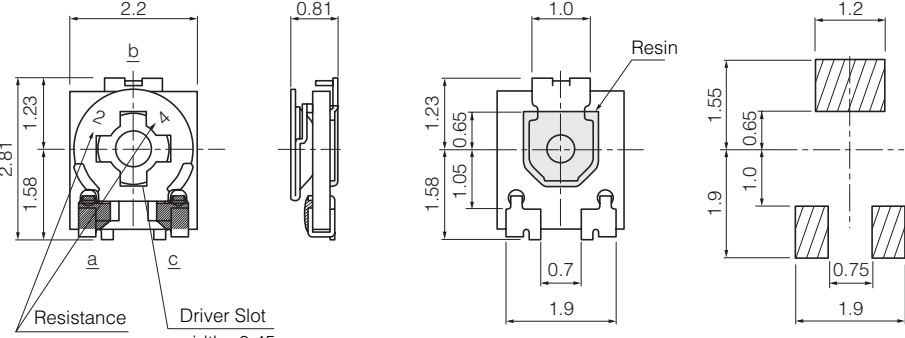
The standard packaging methods for a reel is φ178.
Please contact us, if you would like different packaging methods. (Bulk, Reel of φ330, Reel of φ380)

■ Dimensions in mm (not to scale)


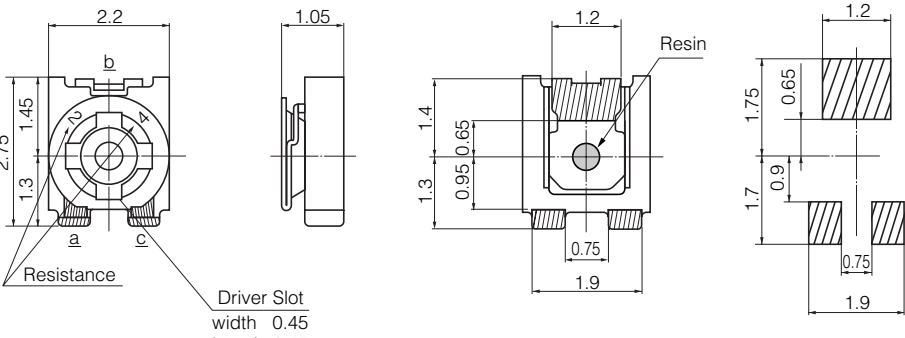
● 3-terminal/Low-profile EVM2T

<p>No. 1</p> 	 <p style="text-align: center;">Resistance</p> <p style="text-align: center;">Resin</p> <p style="text-align: center;">(Recommended Land Pattern)</p> <p style="text-align: center;">a ○ ——— ○ c ○ b (Circuit diagram)</p> <p style="text-align: center;">Mass (Weight) : 11 mg/pc.</p>
-------------------------------------------------------------------------------------------------------	-----------------------------------------------------------------------------------------------------------------------------------------------------------------------------------------------------------------------------------------------------------------------------------------------------------------------------------------------------------------------------------------

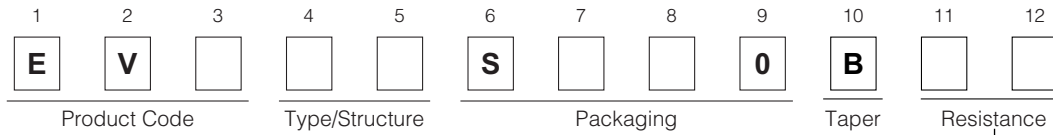
● 3-terminal/Low-profile EVM2N

<p>No. 2</p> 	 <p style="text-align: center;">Resistance</p> <p style="text-align: center;">Driver Slot width 0.45 length 1.3 depth 0.2</p> <p style="text-align: center;">Resin</p> <p style="text-align: center;">(Recommended Land Pattern)</p> <p style="text-align: center;">a ○ ——— ○ c ○ b (Circuit diagram)</p> <p style="text-align: center;">Mass (Weight) : 13 mg/pc.</p>
---------------------------------------------------------------------------------------------------------	-------------------------------------------------------------------------------------------------------------------------------------------------------------------------------------------------------------------------------------------------------------------------------------------------------------------------------------------------------------------------------------------------------------------------------------------------------------------------------------

● 3-terminal, for Automatic Trimming Adjustment/Low-profile EVM2W

<p>No. 3</p> 	 <p style="text-align: center;">Resistance</p> <p style="text-align: center;">Driver Slot width 0.45 length 1.45 depth 0.35</p> <p style="text-align: center;">Resin</p> <p style="text-align: center;">(Recommended Land Pattern)</p> <p style="text-align: center;">a ○ ——— ○ c ○ b (Circuit diagram)</p> <p style="text-align: center;">Mass (Weight) : 17 mg/pc.</p>
---------------------------------------------------------------------------------------------------------	----------------------------------------------------------------------------------------------------------------------------------------------------------------------------------------------------------------------------------------------------------------------------------------------------------------------------------------------------------------------------------------------------------------------------------------------------------------------------------------

■ Explanation of Part Numbers



6th	7th	Packaging
S	X	Carrier tape (7th: Direction of insertion. Refer to Packaging Specifications)
	W	

* The standard of direction of insertion is a direction X.
EVM2T/2N type be only direction X.

8th	Quantity	Type
3	1000	EVM1D, EVM1E, EVM1U
5	2000	EVM3Y, EVM3S, EVM3R, EVM3V, EVN5E, EVN5C
8	3000	EVM2T, EVM2N, EVM2W, EVM3W

Classification	Type	Symbol(1th to 5th)
Cermet	2 mm Open	EVM2T, EVM2N, EVM2W (low-profile)
	3 mm Open	EVM3Y, EVM3S EVM3R, EVM3W(low-profile) EVM3V(with rotation stopper)
	4 mm Open	EVM1D, EVM1E EVM1U
Carbon	3 mm Dustproof	EVN5E(with rotation stopper) EVN5C

Symbol	Resistance	EVM2T EVM2N EVM2W EVM3Y EVM3S EVM3W EVM3V EVM1D EVM1E EVM1U	EVM3R	EVN5E EVN5C
12	100 Ω	○	—	—
C2	150 Ω	○	—	—
22	200 Ω	○	—	○
E2	220 Ω	○	—	○
32	300 Ω	○	—	○
Y2	330 Ω	○	—	○
Q2	470 Ω	○	—	○
52	500 Ω	○	○	○
S2	680 Ω	○	○	○
13	1 kΩ	○	○	○
C3	1.5 kΩ	○	○	○
23	2 kΩ	○	○	○
E3	2.2 kΩ	○	○	○
33	3 kΩ	○	○	○
Y3	3.3 kΩ	○	○	○
Q3	4.7 kΩ	○	○	○
53	5 kΩ	○	○	○
S3	6.8 kΩ	○	○	○
14	10 kΩ	○	○	○
C4	15 kΩ	○	○	○
24	20 kΩ	○	○	○
E4	22 kΩ	○	○	○
34	30 kΩ	○	○	○
Y4	33 kΩ	○	○	○
Q4	47 kΩ	○	○	○
54	50 kΩ	○	○	○
S4	68 kΩ	○	○	○
15	100 kΩ	○	○	○
C5	150 kΩ	○	○	○
25	200 kΩ	○	○	○
E5	220 kΩ	○	○	○
35	300 kΩ	○	○	○
Y5	330 kΩ	○	○	○
Q5	470 kΩ	○	○	○
55	500 kΩ	○	○	○
S5	680 kΩ	○	○	○
16	1 MΩ	○	○	○

