

TOSHIBA TRANSISTOR SILICON NPN EPITAXIAL PLANAR TYPE

2SC4325

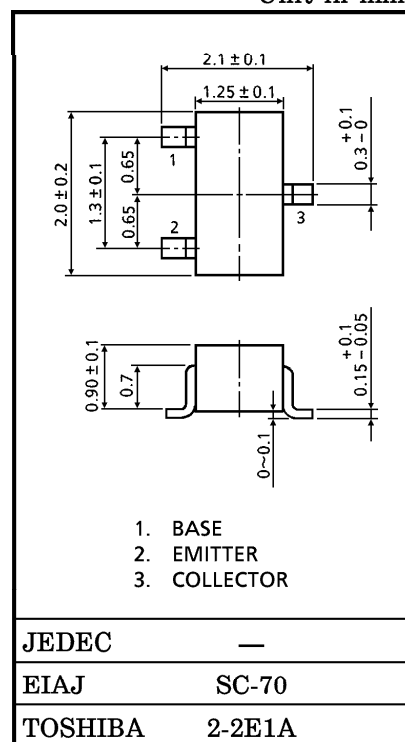
VHF~UHF BAND LOW NOISE AMPLIFIER APPLICATIONS

Unit in mm

- Low Noise Figure, High Gain.
- $NF = 1.8\text{dB}$, $|S_{21e}|^2 = 7.5\text{dB}$ ($f = 2\text{GHz}$)

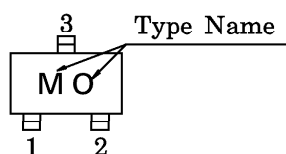
MAXIMUM RATINGS ($T_a = 25^\circ\text{C}$)

CHARACTERISTIC	SYMBOL	RATING	UNIT
Collector-Base Voltage	V_{CBO}	20	V
Collector-Emitter Voltage	V_{CEO}	10	V
Emitter-Base Voltage	V_{EBO}	1.5	V
Base Current	I_B	7	mA
Collector Current	I_C	15	mA
Collector Power Dissipation	P_C	100	mW
Junction Temperature	T_j	125	$^\circ\text{C}$
Storage Temperature Range	T_{stg}	-55~125	$^\circ\text{C}$



Weight : 0.006g

Marking



MICROWAVE CHARACTERISTICS ($T_a = 25^\circ\text{C}$)

CHARACTERISTIC	SYMBOL	TEST CONDITION	MIN.	TYP.	MAX.	UNIT
Transition Frequency	f_T	$V_{CE} = 6\text{V}$, $I_C = 7\text{mA}$	7	10	—	GHz
Insertion Gain	$ S_{21e} ^2 (1)$	$V_{CE} = 6\text{V}$, $I_C = 7\text{mA}$, $f = 1\text{GHz}$	—	13	—	dB
	$ S_{21e} ^2 (2)$	$V_{CE} = 6\text{V}$, $I_C = 7\text{mA}$, $f = 2\text{GHz}$	4.5	7.5	—	
Noise Figure	NF (1)	$V_{CE} = 6\text{V}$, $I_C = 3\text{mA}$, $f = 1\text{GHz}$	—	1.4	—	dB
	NF (2)	$V_{CE} = 6\text{V}$, $I_C = 3\text{mA}$, $f = 2\text{GHz}$	—	1.8	3.0	

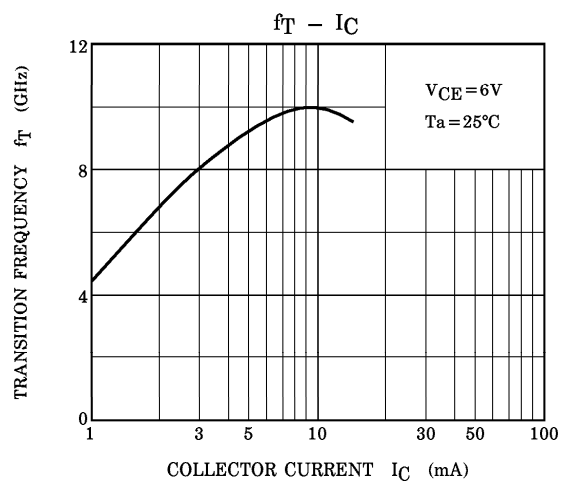
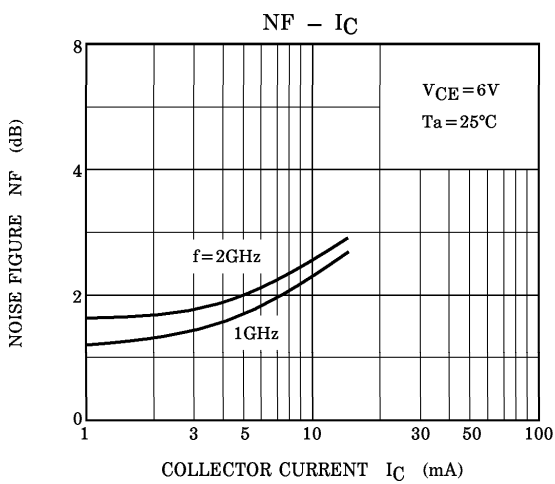
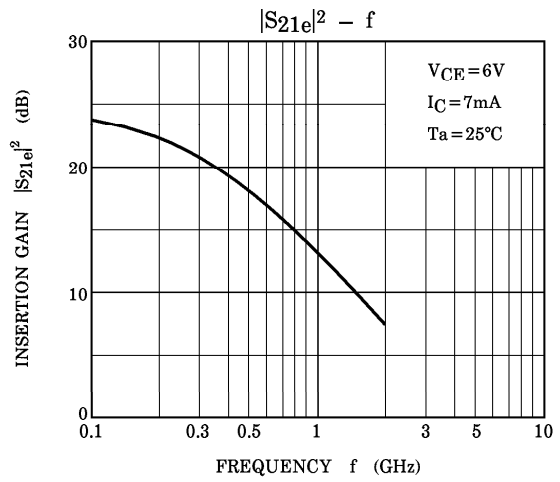
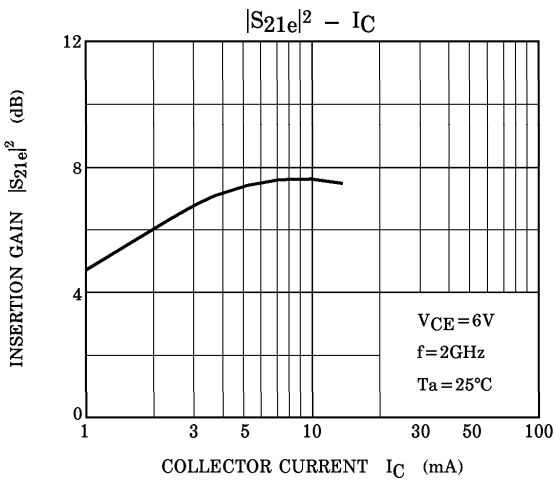
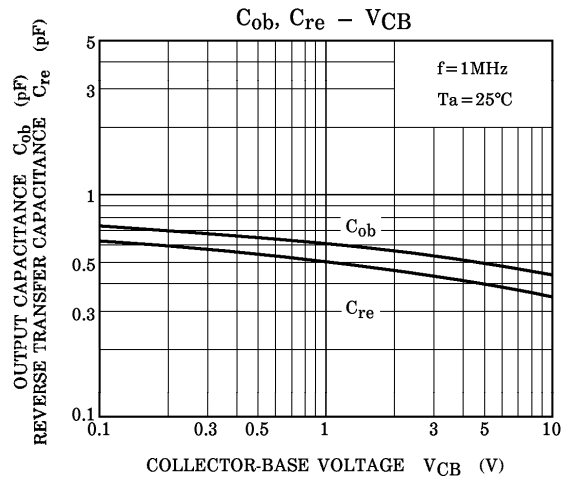
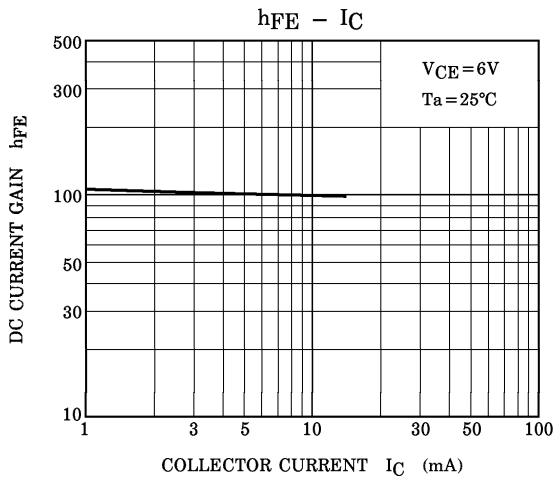
ELECTRICAL CHARACTERISTICS ($T_a = 25^\circ\text{C}$)

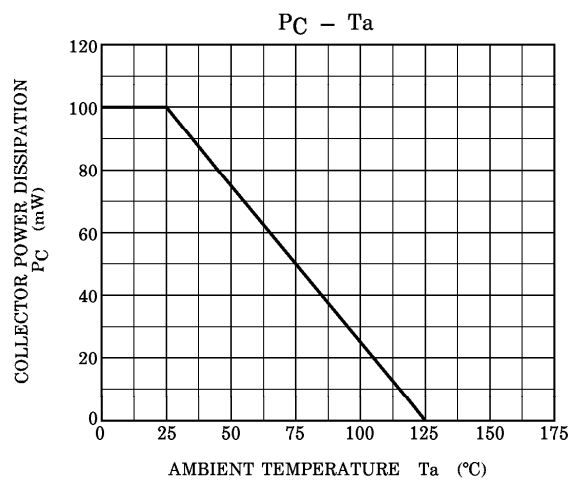
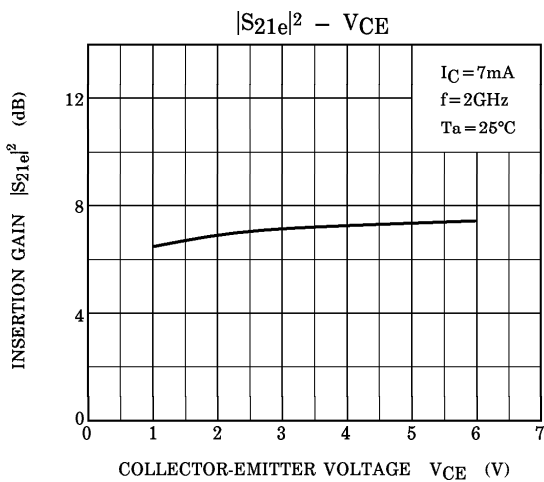
CHARACTERISTIC	SYMBOL	TEST CONDITION	MIN.	TYP.	MAX.	UNIT
Collector Cut-off Current	I_{CBO}	$V_{CB} = 10\text{V}$, $I_E = 0$	—	—	1	μA
Emitter Cut-off Current	I_{EBO}	$V_{EB} = 1\text{V}$, $I_C = 0$	—	—	1	μA
DC Current Gain	h_{FE}	$V_{CE} = 6\text{V}$, $I_C = 7\text{mA}$	50	—	250	—
Output Capacitance	C_{ob}	$V_{CB} = 10\text{V}$, $I_E = 0$, $f = 1\text{MHz}$	—	0.45	—	pF
Reverse Transfer Capacitance	C_{re}	(Note)	—	0.35	0.8	pF

(Note) C_{re} is measured by 3 terminal method with Capacitance Bridge.

961001EAA2

- TOSHIBA is continually working to improve the quality and the reliability of its products. Nevertheless, semiconductor devices in general can malfunction or fail due to their inherent electrical sensitivity and vulnerability to physical stress. It is the responsibility of the buyer, when utilizing TOSHIBA products, to observe standards of safety, and to avoid situations in which a malfunction or failure of a TOSHIBA product could cause loss of human life, bodily injury or damage to property. In developing your designs, please ensure that TOSHIBA products are used within specified operating ranges as set forth in the most recent products specifications. Also, please keep in mind the precautions and conditions set forth in the TOSHIBA Semiconductor Reliability Handbook.
- The information contained herein is presented only as a guide for the applications of our products. No responsibility is assumed by TOSHIBA CORPORATION for any infringements of intellectual property or other rights of the third parties which may result from its use. No license is granted by implication or otherwise under any intellectual property or other rights of TOSHIBA CORPORATION or others.
- The information contained herein is subject to change without notice.





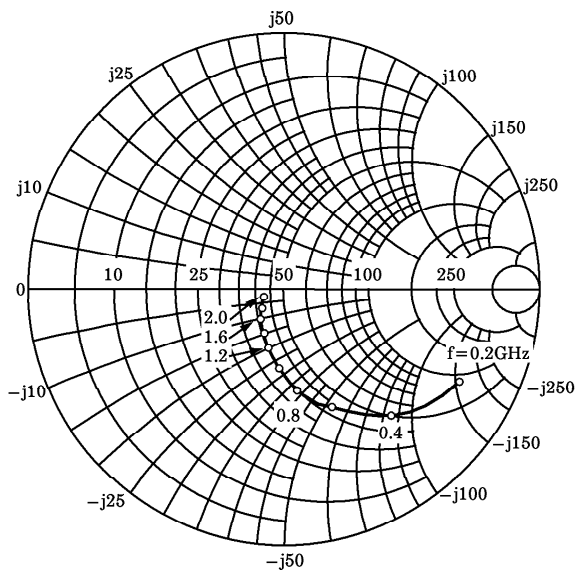
S-PARAMETER Z_O = 50Ω, Ta = 25°C
V_{CE} = 6V, I_C = 3mA

FREQUENCY MHz	S11		S21		S12		S22	
	MAG	ANG	MAG	ANG	MAG	ANG	MAG	ANG
200	0.778	-27.1	7.781	154.1	0.043	75.7	0.932	-18.5
400	0.641	-49.4	6.538	133.4	0.075	66.5	0.800	-31.9
600	0.500	-67.1	5.409	118.1	0.097	61.9	0.683	-40.4
800	0.394	-80.5	4.508	106.6	0.115	59.9	0.595	-45.8
1000	0.311	-93.1	3.809	97.9	0.132	59.4	0.536	-49.6
1200	0.238	-103.0	3.314	90.6	0.149	59.3	0.492	-52.7
1400	0.194	-114.5	2.909	84.0	0.165	59.3	0.465	-55.3
1600	0.146	-122.2	2.619	78.7	0.183	59.4	0.444	-57.9
1800	0.102	-135.3	2.409	73.5	0.199	59.4	0.428	-60.8
2000	0.074	-150.4	2.188	70.0	0.216	59.6	0.415	-64.2

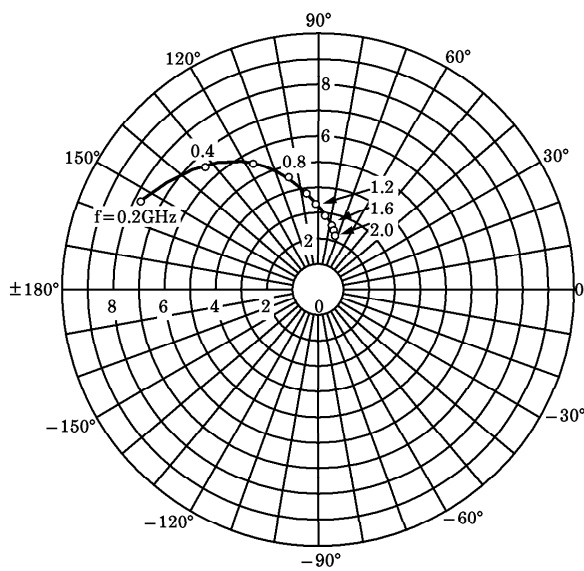
V_{CE} = 6V, I_C = 7mA

FREQUENCY MHz	S11		S21		S12		S22	
	MAG	ANG	MAG	ANG	MAG	ANG	MAG	ANG
200	0.581	-39.7	12.614	141.9	0.037	73.0	0.842	-24.8
400	0.397	-64.8	9.040	119.2	0.061	67.7	0.652	-36.1
600	0.278	-82.1	6.744	105.5	0.081	67.3	0.541	-40.4
800	0.194	-94.9	5.328	96.2	0.101	67.7	0.477	-42.6
1000	0.137	-109.4	4.364	89.2	0.121	67.8	0.440	-44.3
1200	0.096	-123.2	3.733	83.2	0.141	67.8	0.417	-46.4
1400	0.062	-140.8	3.254	77.9	0.162	67.1	0.403	-48.5
1600	0.041	-169.5	2.899	73.4	0.183	66.6	0.394	-50.9
1800	0.030	137.0	2.634	68.9	0.203	65.6	0.389	-54.0
2000	0.038	99.1	2.377	66.1	0.222	65.1	0.382	-57.6

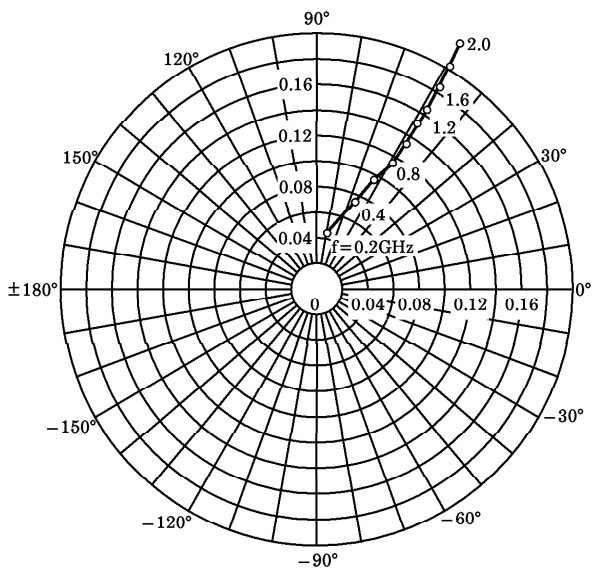
S_{11e}
 $V_{CE} = 6V$
 $I_C = 3mA$
 $T_a = 25^\circ C$
 (UNIT : Ω)



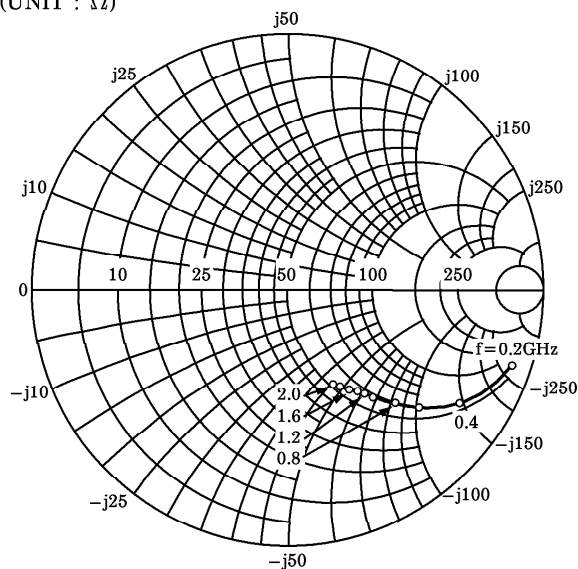
S_{21e}
 $V_{CE} = 6V$
 $I_C = 3mA$
 $T_a = 25^\circ C$



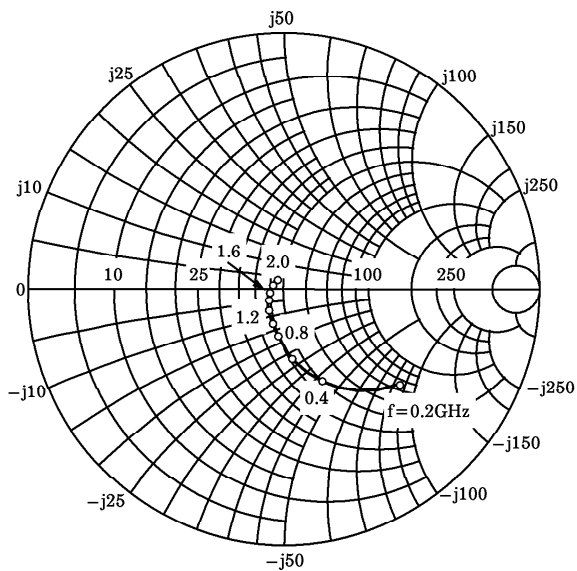
S_{12e}
 $V_{CE} = 6V$
 $I_C = 3mA$
 $T_a = 25^\circ C$



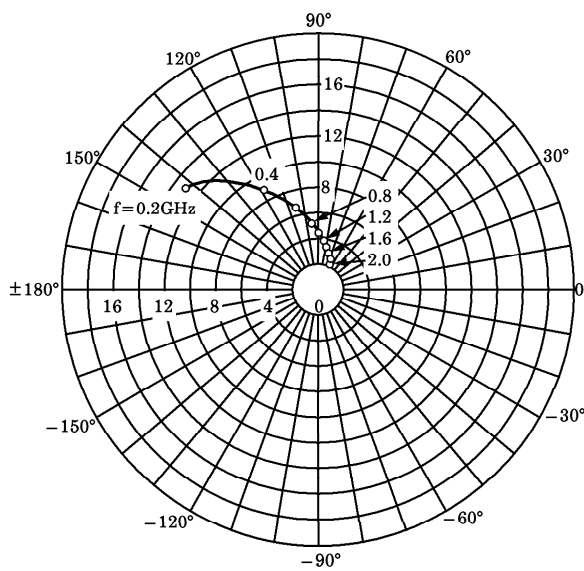
S_{22e}
 $V_{CE} = 6V$
 $I_C = 3mA$
 $T_a = 25^\circ C$
 (UNIT : Ω)



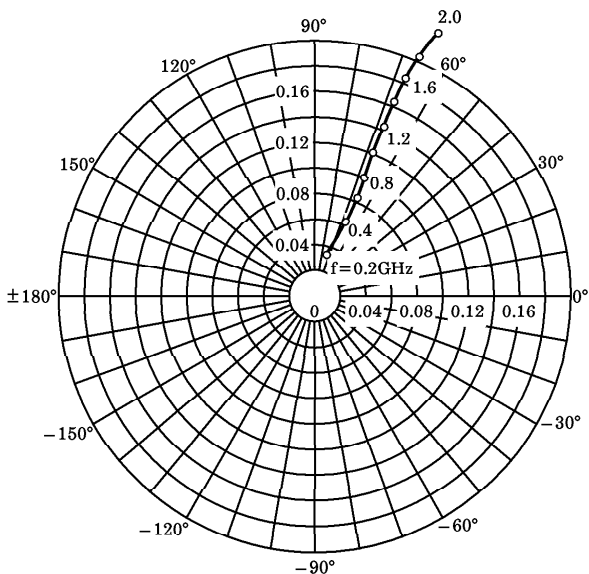
S_{11e}
 V_{CE} = 6V
 I_C = 7mA
 T_a = 25°C
 (UNIT : Ω)



S_{21e}
 V_{CE} = 6V
 I_C = 7mA
 T_a = 25°C



S_{12e}
 V_{CE} = 6V
 I_C = 7mA
 T_a = 25°C



S_{22e}
 V_{CE} = 6V
 I_C = 7mA
 T_a = 25°C
 (UNIT : Ω)

