

### 3 mm Square SMT Trimmer Potentiometers (Cermet, Sealed Type) Japan

Type: **EVM7JS**  
**EVM7LS**

#### ■ Features

- 3 mm square types for flow and reflow soldering
- Labor cost saving filmless sealed construction (EVM7J/7L)
- Automatic adjustment type (EVM7L)

#### ■ Recommended Applications

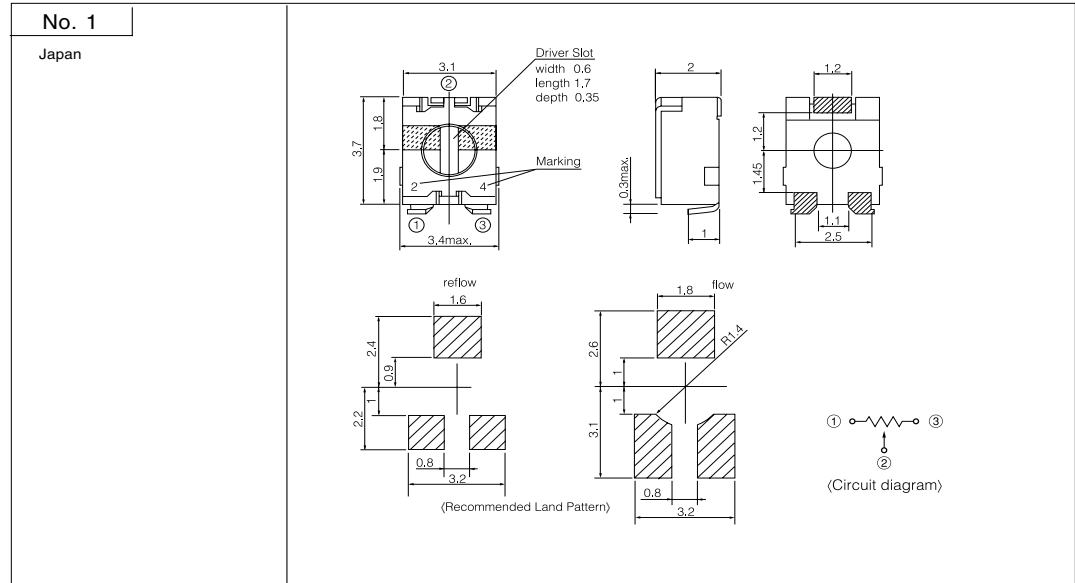
- Audio visual equipment, Communication equipment
- Other general electronic equipment

#### ■ Major Specifications

Nominal Total Resistance	100 $\Omega$ to 1 M $\Omega$
Resistance Tolerance	$\pm 25\%$
Power Rating	0.05 W
Max. Operating Voltage	15 V
Rotation Torque	1 to 15 mN·m (10 to 150 gf·cm)
Temperature Coefficient	$\pm 250$ ppm/ $^{\circ}$ C

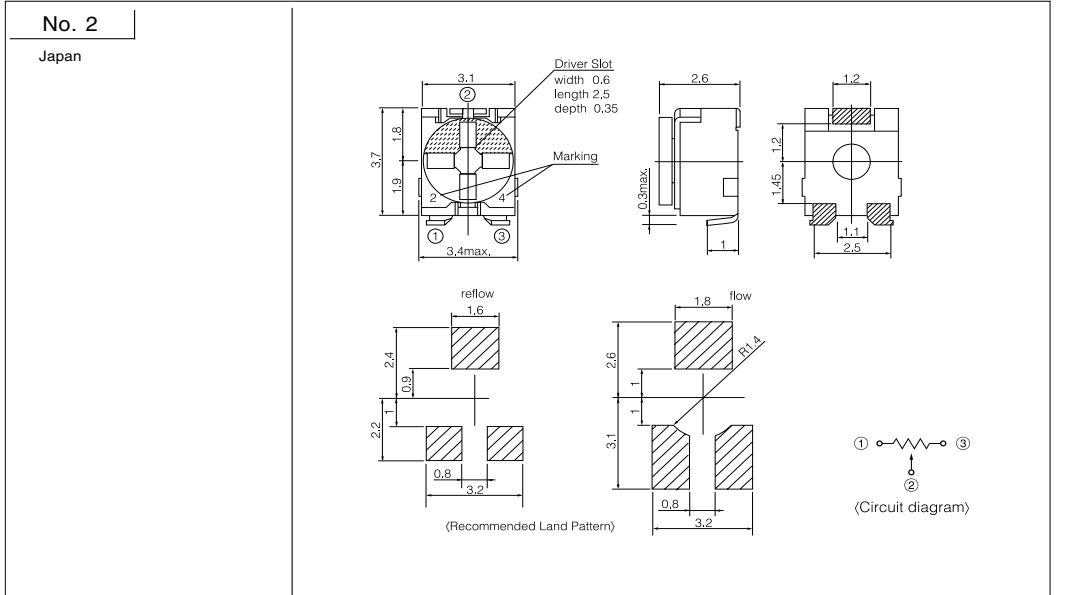
■ Dimensions in mm (not to scale)

- 3-terminal, Filmless Sealed ..... EVM7J



Note: Mounting not possible after trimming knob has been rotated.

- 3-terminal, Filmless Sealed for Automatic Trimming Adjustment ..... EVM7L



Note: Mounting not possible after trimming knob has been rotated.