

Small and Medium Diodes



Small and Medium Diodes

Recently, many products ranging from computers and home appliances to automobiles and industrial equipment have been driving the need for effective solutions to reduce size and weight. Semiconductor requirements differ from application to application. Take power supplies for example, which are being required to accommodate higher capacity in smaller dimensions. This increases the temperature at which systems are operated.

To address this problem, Toshiba offers an extensive portfolio of small, high-efficiency diodes, including Schottky barrier diodes (SBDs) featuring high-speed operation and low forward loss.

Diodes

Schottky Barrier Diodes (SBDs)

Toshiba offers low-loss SBDs fabricated with a next-generation process. These SBDs will help increase the performance of equipment that requires a small form factor and high efficiency, such as mobile devices and switching power supplies.

SBDs with a reverse voltage of 20 V to 60 V and an average forward current of 0.7 A to 10 A are available in small surface-mount packages. You will find SBDs that best suit your applications.

Rectifier Diodes

Diodes for general rectification and reverse-current protection

Super-Fast-Recovery Diodes (S-FRDs)

High-Efficiency Diodes (HEDs)

Diodes with a reverse voltage of 200 V to 1000 V and an average forward current of 0.5 A to 5 A are available in small surface-mount packages. Toshiba's product portfolio also includes diodes with high ESD performance ideal for automotive applications.

Zener Diodes

Zener diodes are available with a wide range of Zener voltage specifications from 6.2 V to 390 V. They can be used for a wide range of applications such as consumer, automotive and industrial electronics.

CONTENTS

1. Key Features	3	5. Application Examples and Toshiba's Recommended Diodes	15
2. Product Lineup	4	6. Packaging and Packing Information	16
3. Selection Guide	5		
4. Product Characteristics	7		
4.1 Schottky Barrier Diodes (SBDs) Single	8		
4.2 Rectification Diodes Single, Dual	10		
4.3 High-Speed Rectifiers	11		
(1) Super-Fast-Recovery Diodes (S-FRDs) Single	11		
(2) High-Efficiency Diodes (HEDs) Single	12		
4.4 Zener Diodes	13		

This brochure contains information on small and medium diodes only. For switching diodes, small-signal Schottky barrier diodes and ESD protection diodes, see the following brochure or our homepage:

- ◆ Homepage <http://www.semicon.toshiba.co.jp/eng>
- ◆ Brochure General-Purpose Small-Signal Surface-Mount Devices

1. Key Features

▶ SMALL & MEDIUM DIODES

1 Schottky Barrier Diodes (SBDs)

Schottky Barrier Diodes (SBDs)

- ▶ Voltage rating: $V_{RRM} = 20\text{ V}, 30\text{ V}, 40\text{ V}, 60\text{ V}$
- ▶ Current rating: $I_{F(AV)} = 0.7\text{ A to } 10\text{ A}$
- ▶ Peak forward voltage:
(Shown only as examples) $V_{FM} = 0.32\text{ V typ. (0.37 V max) } \dots\dots\dots V_{RRM} = 30\text{ V}$
 $V_{FM} = 0.35\text{ V typ. (0.39 V max) } \dots\dots\dots V_{RRM} = 30\text{ V}$
 $V_{FM} = 0.42\text{ V typ. (0.45 V max) } \dots\dots\dots V_{RRM} = 30\text{ V}$
 $V_{FM} = 0.48\text{ V typ. (0.55 V max) } \dots\dots\dots V_{RRM} = 40\text{ V}$
 $V_{FM} = 0.52\text{ V typ. (0.58 V max) } \dots\dots\dots V_{RRM} = 60\text{ V}$

2 Rectification Diodes (Diodes for General Rectification and Reverse-Current Protection)

- ▶ Voltage rating: $V_{RRM} = 400\text{ V to } 800\text{ V}$
- ▶ Current rating: $I_{F(AV)} = 0.5\text{ A to } 2\text{ A}$
- ▶ Diodes with high ESD performance are available.

3 Super-Fast-Recovery Diodes (S-FRDs)

Super-Fast-Recovery Diodes (S-FRDs)

- ▶ Voltage rating: $V_{RRM} = 400\text{ V}, 600\text{ V}, 800\text{ V}, 900\text{ V}, 1000\text{ V}$
- ▶ Current rating: $I_{F(AV)} = 0.5\text{ A to } 2\text{ A}$
- ▶ High-speed switching: Reverse recovery time (t_{rr}) $\leq 100\text{ ns}$

4 High-Efficiency Diodes (HEDs)

High-Efficiency Diodes (HEDs)

- ▶ Voltage rating: $V_{RRM} = 200\text{ V}, 300\text{ V}, 400\text{ V}$
- ▶ Current rating: $I_{F(AV)} = 0.5\text{ to } 5\text{ A}$
- ▶ High-speed switching: Reverse recovery time (t_{rr}) $\leq 35\text{ ns}$ or $\leq 50\text{ ns}$

5 Zener Diodes

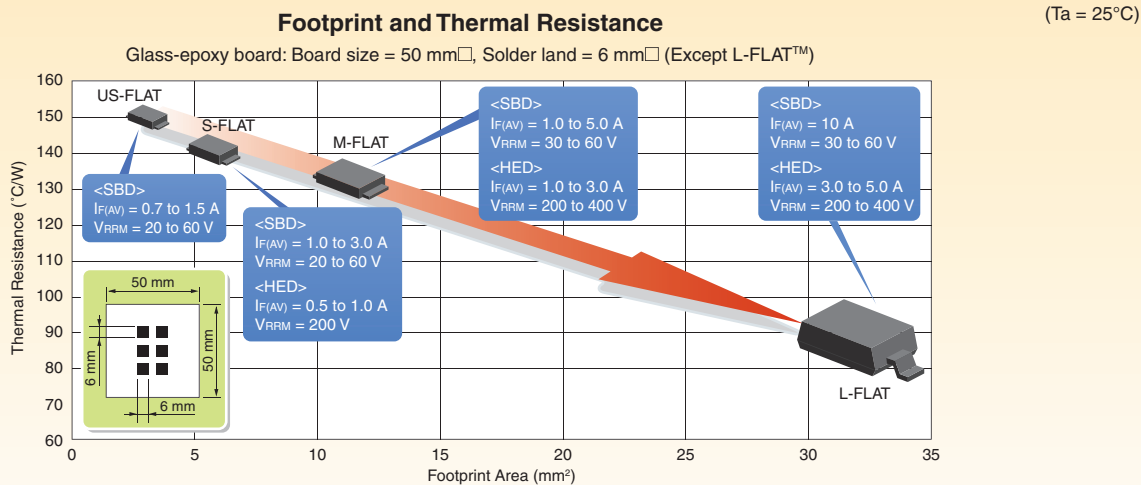
- ▶ $V_z = 6.2\text{ V to } 390\text{ V}$
- ▶ Power dissipation: $P = 0.7\text{ W}, 1.0\text{ W}, 2.0\text{ W}$ (S-FLAT™ and M-FLAT™ packages)

2. Product Lineup

SMALL & MEDIUM DIODES

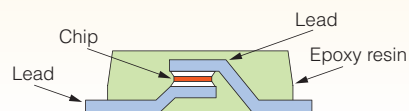
Surface-Mount Package Trend for Diodes

Toshiba has been working to develop the most compact surface-mount packages which allow communication equipment to be miniaturized.



Internal Structure of FLAT Packages

The FLAT packages feature reduced wire inductance and resistance and an enhanced thermal property compared to wire-bonded packages.

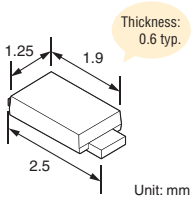


FLAT Package Series

US-FLAT™

Ultra-Small Flat Package

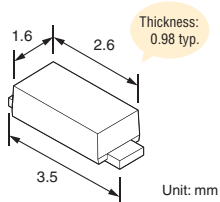
Typical product: CUS01, CUS10I30A



S-FLAT™

Small Flat Package

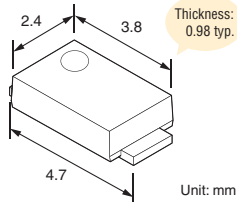
Typical product: CRS01, CRS10I30A



M-FLAT™

Middle Flat Package

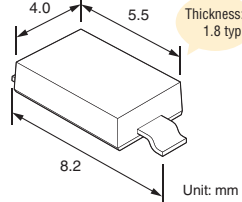
Typical product: CMS01, CMS10I30A



L-FLAT™

Large Flat Package

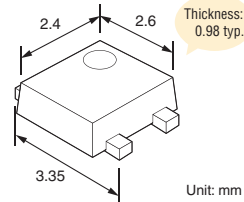
Typical product: CLS01



HM-FLAT

Hybrid Middle Flat Package

Typical product: HMG01



3. Selection Guide

► SMALL & MEDIUM DIODES

Schottky Barrier Diodes (SBDs)

Average Forward Current	Package	Peak Repetitive Reverse Voltage				Package Number	Reference Page
		20 V	30 V	40 V	60 V		
0.7 A	US-FLAT™			CUS03	CUS04	①	8
1 A	US-FLAT™	CUS05 CUS06	CUS01 CUS02 CUS10I30A	CUS10I40A		①	8
	S-FLAT™	CRS06	CRS01 CRS03 CRS05 CRS11 CRS10I30A CRS10I30B CRS10I30C	CRS04 CRS10I40A CRS10I40B	CRS12 CRS13	②	8
	M-FLAT™		CMS08 CMS09 CMS10I30A	CMS10 CMS10I40A		③	9
1.5 A	US-FLAT™		CUS15I30A			①	8
	S-FLAT™		CRS08 CRS09 CRS15I30A CRS15I30B	CRS15I40A		②	8
	M-FLAT™			CMS15I40A		③	9
2 A	S-FLAT™		CRS14 CRS20I30A CRS20I30B	CRS20I40A CRS20I40B		②	8
	M-FLAT™		CMS06 CMS07 CMS17 CMS20I30A	CMS11 CMS20I40A	CMS14	③	9
3 A	S-FLAT™		CRS15◇ CRS30I30A			②	8
	M-FLAT™		CMS01 CMS03 CMS30I30A	CMS16 CMS21 CMS30I40A	CMS15	③	9
5 A	M-FLAT™		CMS04 CMS05			③	9
10 A	L-FLAT™		CLS01	CLS02	CLS03	④	9

◆: Dual (Two separate diodes) ◇: I_{F(DC)} = 3A

Rectification Diodes

► Diodes for General Rectification and Reverse-Current Protection

Average Forward Current	Package	Peak Repetitive Reverse Voltage			Package Number	Reference Page
		400 V	600 V	800 V		
0.5 A	HM-FLAT	HMG01◆			⑤	10
0.7 A	S-FLAT™	CRG02○ CRG07○			②	
	HM-FLAT	HMG02◆			⑤	
1 A	S-FLAT™	CRG03○ CRG09★○	CRG04○	CRG05○	②	
	M-FLAT™	CMC02* CMG05 CMG07	CMG06 CMG08		③	
2 A	M-FLAT™	CMG02	CMG03		③	

○: Based on AEC-Q101 * : Designed for strobe discharge applications. ◆: Dual ★: High ESD protection

3. Selection Guide

▶ SMALL & MEDIUM DIODES

Super-Fast-Recovery Diodes (S-FRDs) and High-Efficiency Diodes (HEDs)

▶ Super-Fast-Recovery Diodes (S-FRDs)

Average Forward Current	Package	Reverse Recovery Time (Max)	Peak Repetitive Reverse Voltage				Package Number	Reference Page
			600 V	800 V	900 V	1000 V		
0.5 A	S-FLAT™	100 ns	CRF03(0.7 A)	CRF02			②	11
	M-FLAT™	100 ns		CMF04	CMF03	CMF05	③	
1 A	M-FLAT™	100 ns	CMF02				③	
2 A	M-FLAT™	100 ns	CMF01				③	

▶ High-Efficiency Diodes (HEDs)

Average Forward Current	Package	Reverse Recovery Time (Max)	Peak Repetitive Reverse Voltage			Package Number	Reference Page	
			200 V	300 V	400 V			
Single Type	0.5 A	S-FLAT™	35 ns	CRH02			②	12
		1 A	S-FLAT™	35 ns	CRH01			
	M-FLAT™		35 ns	CMH04		CMH05A	③	
		50 ns			CMH05			
	2 A	M-FLAT™	35 ns	CMH07		CMH08A	③	
			50 ns			CMH08		
	3 A	M-FLAT™	35 ns	CMH01		CMH02A	③	
			50 ns			CMH02		
	5 A	L-FLAT™	35 ns	CLH01	CLH02	CLH03	④	
			35 ns	CLH05	CLH06	CLH07		

Zener Diodes

▶ Zener Diodes

Power Dissipation	0.7 W	1 W	2 W
Package Vz(V)	S-FLAT™	M-FLAT™	
6.2	CRY62		
6.8	CRY68		
7.5	CRY75		
8.2	CRY82		
9.1	CRY91		
10	CRZ10		
11	CRZ11		
12	CRZ12	CMZB12	CMZ12
13	CRZ13	CMZB13	CMZ13
15	CRZ15	CMZB15	CMZ15
16	CRZ16	CMZB16	CMZ16
18	CRZ18	CMZB18	CMZ18
20	CRZ20	CMZB20	CMZ20
22	CRZ22	CMZB22	CMZ22
24	CRZ24	CMZB24	CMZ24
27	CRZ27	CMZB27	CMZ27
30	CRZ30	CMZB30	CMZ30
33	CRZ33	CMZB33	CMZ33
36	CRZ36	CMZB36	CMZ36
Package Number	②	③	
Reference Page	13	14	13

Power Dissipation	0.7 W	1 W	2 W
Package Vz(V)	S-FLAT™	M-FLAT™	
39	CRZ39	CMZB39	CMZ39
43	CRZ43	CMZB43	CMZ43
47	CRZ47	CMZB47	CMZ47
51		CMZB51	CMZ51
53		CMZB53	CMZ53
68		CMZB68	
75		CMZB75	
82		CMZB82	
100		CMZB100	
110		CMZB110	
150		CMZB150	
180		CMZB180	
200		CMZB200	
220		CMZB220	
240		CMZB240	
270		CMZB270	
300		CMZB300	
330		CMZB330	
390		CMZB390	
Package Number	②	③	
Reference Page	13	14	13

4. Product Characteristics

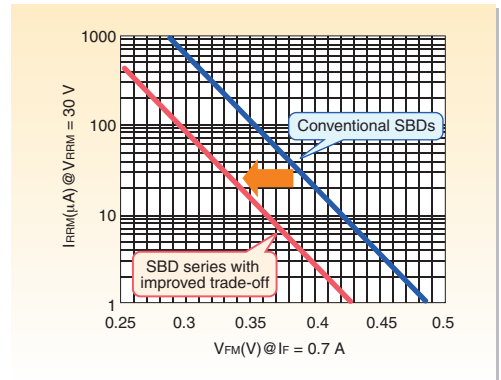
▶ SMALL & MEDIUM DIODES

Schottky-Barrier Diodes (SBDs) with Improved Trade-Off

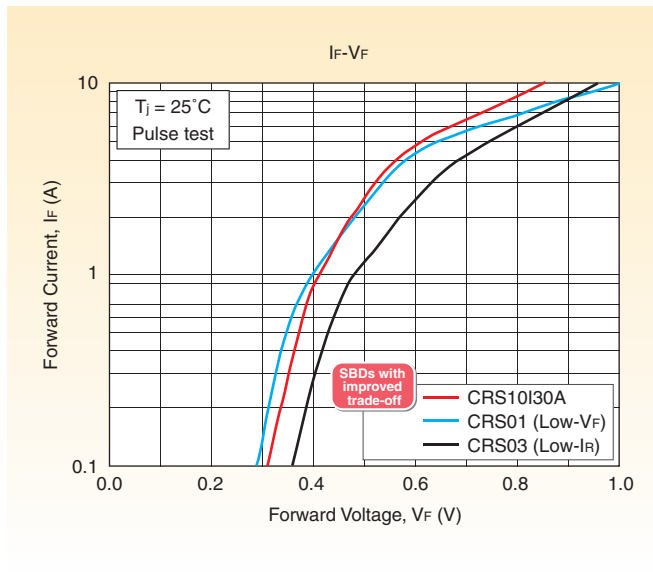
Toshiba now offers small to medium Schottky barrier diodes (SBDs) fabricated with a next-generation process. Owing to low peak forward voltage (V_{FM}) and low peak repetitive forward voltage (I_{RRM}) characteristics, these SBDs provide low power loss, help reduce the size and improve the power efficiency of mobile handsets, switching power supplies, etc., thereby improving their overall performance.

- ▶ Voltage rating: $V_{RRM} = 30\text{ V}, 40\text{ V}$
- ▶ Current rating: $I_{F(AV)} = 1\text{ A to }3\text{ A}$
- ▶ Peak forward voltage (Typical characteristics: CRS10I30A)
 $V_{FM} = 0.35\text{ V typ. (}0.39\text{ V max (}@I_{FM} = 0.7\text{ A))}$
- ▶ Small surface-mount packages (US-FLAT™, S-FLAT™, M-FLAT™)

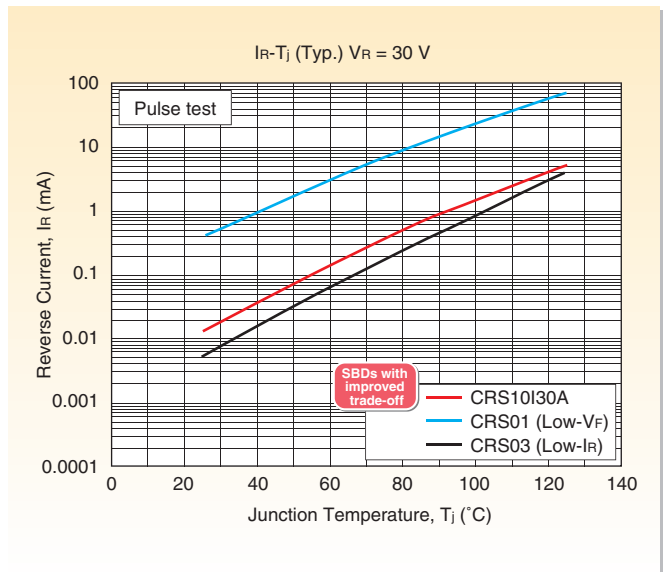
▶ Tradeoff Relationship between the Forward Voltage and Reverse Leakage Current (Example)



▶ Forward Voltage (V_F) Curves (Example)



▶ Reverse Leakage Current (I_R) Curves (Example)



▶ Product Naming Conventions

The product naming conventions shown below are used for SBDs with improved trade-off. Product names denote packaging, current rating, voltage rating and so on.

Product Naming Conventions

<u>CRS</u>	<u>10</u>	<u>I</u>	<u>30</u>	<u>A</u>
(1)	(2)	(3)	(4)	(5)

- (1) Toshiba Schottky barrier diode/package style
CRS: S-FLAT package
CMS: M-FLAT package
CUS: US-FLAT package

- (2) Average forward current, $I_{F(AV)}$
Example: 10: 1.0 A
- (3) Product feature
I: Low forward voltage & low leakage current (New SBD series)
F: Low forward voltage
R: Low leakage current
- (4) Reverse voltage, V_{RRM}
Example: 30: 30 V
- (5) Suffix that indicates an additional feature



4. Product Characteristics

▶ SMALL & MEDIUM DIODES

4.1 Schottky Barrier Diodes (SBDs)



- ▶ Voltage rating: $V_{RRM} = 20\text{ V}, 30\text{ V}, 40\text{ V}, 60\text{ V}$
- ▶ Current rating: $I_{F(AV)} = 0.7\text{ A to }10\text{ A}$
- ▶ Available in surface-mount packages.

Single

Package	Part Number	Absolute Maximum Ratings					Electrical Characteristics (Max)					Conditions
		V_{RRM} (V)	$I_{F(AV)}$ (A)	I_{FSM} (A)	T_j (°C)	T_{stg} (°C)	I_{RRM} (mA)	V_{FM} (V)	@ I_{FM} (A)	C_j (pF) (Typ.)		
 US-FLAT™	CUS05	20	1.0	20	125	-40 to 150	1.0	0.37	0.7	40	$V_R = 10\text{ V},$ $f = 1\text{ MHz}$	
	CUS06	20	1.0	20	150	-40 to 150	0.03	0.45	0.7	40		
	CUS01	30	1.0	20	125	-40 to 150	1.5	0.37	0.7	40		
	CUS02	30	1.0	20	150	-40 to 150	0.1	0.45	0.7	40		
	CUS10I30A	30	1.0	20	150	-55 to 150	0.06	0.39	0.7	50		
	CUS15I30A	30	1.5	20	150	-55 to 150	0.06	0.46	1.5	50		
	CUS03	40	0.7	20	150	-40 to 150	0.1	0.52	0.7	45		
	CUS10I40A	40	1.0	20	150	-55 to 150	0.06	0.49	0.7	35		
	CUS04	60	0.7	20	150	-40 to 150	0.1	0.58	0.7	38		
 S-FLAT™	CRS06	20	1.0	20	125	-40 to 150	1	0.36	1.0	60	$V_R = 10\text{ V},$ $f = 1\text{ MHz}$	
	CRS01	30	1.0	20	125	-40 to 150	1.5	0.37	0.7	40		
	CRS03	30	1.0	20	150	-40 to 150	0.1	0.45	0.7	40		
	CRS05	30	1.0	20	150	-40 to 150	▽	0.45	1.0	60		
	CRS11	30	1.0	20	125	-40 to 150	1.5	0.36	1.0	60		
	CRS10I30A	30	1.0	20	150	-55 to 150	0.06	0.39	0.7	50		
	CRS10I30B	30	1.0	20	150	-55 to 150	0.06	0.42	1.0	50		
	CRS10I30C	30	1.0	30	150	-55 to 150	0.10	0.36	1.0	82		
	CRS08	30	1.5	30	125	-40 to 150	1	0.36	1.5	90		
	CRS09	30	1.5	30	150	-40 to 150	0.05	0.46	1.5	90		
	CRS15I30A	30	1.5	20	150	-55 to 150	0.06	0.46	1.5	50		
	CRS15I30B	30	1.5	30	150	-55 to 150	0.10	0.40	1.5	82		
	CRS14	30	2.0	30	150	-40 to 150	0.05	0.49	2.0	90		
	CRS20I30A	30	2.0	20	150	-55 to 150	0.06	0.49	2.0	50		
	CRS20I30B	30	2.0	30	150	-55 to 150	0.10	0.45	2.0	82		
	CRS15◇	30	3.0	30	150	-40 to 150	0.05	0.52	3.0	90		
	CRS30I30A	30	3.0	30	150	-55 to 150	0.10	0.49	3.0	82		
	CRS04	40	1.0	20	150	-40 to 150	0.1	0.49	0.7	47		
	CRS10I40A	40	1.0	20	150	-55 to 150	0.06	0.49	0.7	35		
	CRS10I40B	40	1.0	25	150	-55 to 150	0.10	0.45	1.0	62		
	CRS15I40A	40	1.5	20	150	-55 to 150	0.06	0.55	1.5	35		
	CRS20I40A	40	2.0	20	150	-55 to 150	0.06	0.60	2.0	35		
	CRS20I40B	40	2.0	25	150	-55 to 150	0.10	0.52	2.0	62		
CRS12	60	1.0	20	150	-40 to 150	0.1	0.58	1.0	40			
CRS13	60	1.0	20	150	-40 to 150	0.05	0.55	1.0	40			

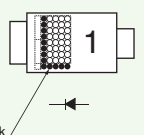
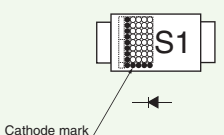
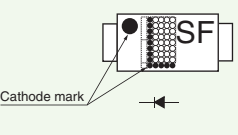
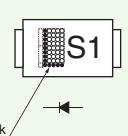
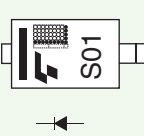
▽: $I_{RRM} = 5\ \mu\text{A Max}$ ($V_R = 5\text{ V}$) ◇: $I_{F(DC)} = 3\text{ A}$

Single

Package	Part Number	Absolute Maximum Ratings					Electrical Characteristics (Max)					Conditions
		V _{RRM} (V)	I _{F(AV)} (A)	I _{FSM} (A)	T _j (°C)	T _{stg} (°C)	I _{RRM} (mA)	V _{FM} (V)	@ I _{FM} (A)	C _j (pF) (Typ.)		
 M-FLAT™	CMS08	30	1.0	25	125	-40 to 150	1.5	0.37	1.0	70	V _R = 10 V, f = 1 MHz	
	CMS09	30	1.0	25	150	-40 to 150	0.5	0.45	1.0	70		
	CMS10I30A	30	1.0	30	150	-55 to 150	0.10	0.36	1.0	82		
	CMS06	30	2.0	40	125	-40 to 150	3.0	0.37	2.0	130		
	CMS07	30	2.0	40	150	-40 to 150	0.5	0.45	2.0	130		
	CMS17	30	2.0	30	150	-40 to 150	0.1	0.48	2.0	90		
	CMS20I30A	30	2.0	30	150	-55 to 150	0.10	0.45	2.0	82		
	CMS01	30	3.0	40	125	-40 to 150	5.0	0.37	3.0	190		
	CMS03	30	3.0	40	150	-40 to 150	0.5	0.45	3.0	190		
	CMS30I30A	30	3.0	30	150	-55 to 150	0.10	0.49	3.0	82		
	CMS04	30	5.0	70	125	-40 to 150	8.0	0.37	5.0	330		
	CMS05	30	5.0	70	150	-40 to 150	0.8	0.45	5.0	330		
	CMS10	40	1.0	25	150	-40 to 150	0.5	0.55	1.0	50		
	CMS10I40A	40	1.0	25	150	-55 to 150	0.10	0.45	1.0	62		
	CMS15I40A	40	1.5	25	150	-55 to 150	0.10	0.49	1.5	62		
	CMS11	40	2.0	30	150	-40 to 150	0.5	0.55	2.0	95		
	CMS20I40A	40	2.0	25	150	-55 to 150	0.10	0.52	2.0	62		
	CMS16	40	3.0	30	150	-40 to 150	0.2	0.55	3.0	95		
CMS30I40A	40	3.0	25	150	-55 to 150	0.10	0.55	3.0	62			
CMS14	60	2.0	40	150	-40 to 150	0.2	0.58	2.0	77			
CMS15	60	3.0	60	150	-40 to 150	0.3	0.58	3.0	102			
 L-FLAT™	CLS01	30	10	100	125	-40 to 150	1.0	0.47	10	530	V _R = 10 V, f = 1 MHz	
	CLS02	40	10	100	125	-40 to 150	1.0	0.55	10	420		
	CLS03	60	10	100	125	-40 to 150	1.0	0.58	10	345		

▽: I_{RRM} = 5 μA Max (V_R = 5 V) ◇: I_{F(DC)} = 3 A

▶ Marking

US-FLAT™	S-FLAT™	S-FLAT™
 Example: CUS01	 Example: CRS01	 Example: CRS10I30A
M-FLAT™	L-FLAT™	
 Example: CMS01	 Example: CLS01	

4. Product Characteristics



▶ SMALL & MEDIUM DIODES

4.2 Rectification Diodes

(Diodes for General Rectification and Reverse-Current Protection)


- ▶ Voltage rating: $V_{RRM} = 400\text{ V}, 600\text{ V}, 800\text{ V}$
- ▶ Current rating: $I_{F(AV)} = 0.5\text{ A to } 2\text{ A}$
- ▶ Available in surface-mount packages.

Single

Package	Part Number	Absolute Maximum Ratings					Electrical Characteristics (Max)		
		V_{RRM} (V)	$I_{F(AV)}$ (A)	I_{FSM} (A)	T_j (°C)	T_{stg} (°C)	I_{RRM} (μA)	V_{FM} (V)	@ I_{FM} (A)
 S-FLAT™	CRG02○	400	0.7	15	150	-40 to 150	10	1.1	0.7
	CRG07○	400	0.7	15	175	-40 to 175	10	1.1	0.7
	CRG03○	400	1.0	15	150	-40 to 150	10	1.1	0.7
	CRG09★○	400	1.0	15	150	-40 to 150	10	1.1	0.7
	CRG04○	600	1.0	15	150	-40 to 150	10	1.1	1.0
	CRG05○	800	1.0	15	150	-40 to 150	10	1.2	1.0
 M-FLAT™	CMC02*	400	1.0	30	150	-40 to 150	10	1.0	1.0
	CMG05	400	1.0	15	150	-40 to 150	10	1.1	1.0
	CMG07	400	1.0	30	150	-40 to 150	10	1.1	1.0
	CMG02	400	2.0	80	150	-40 to 150	10	1.1	2.0
	CMG06	600	1.0	15	150	-40 to 150	10	1.1	1.0
	CMG08	600	1.0	30	150	-40 to 150	10	1.1	1.0
	CMG03	600	2.0	80	150	-40 to 150	10	1.1	2.0

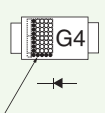
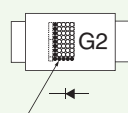
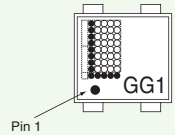
○: Based on AEC-Q101 ★: High ESD protection *: Designed for strobe discharge applications

Dual

Package	Part Number	Absolute Maximum Ratings					Electrical Characteristics (Max)		
		V_{RRM} (V)	$I_{F(AV)}$ (A)	I_{FSM} (A)	T_j (°C)	T_{stg} (°C)	I_{RRM} (μA)	V_{FM} (V)	@ I_{FM} (A)
 HM-FLAT	HMG01	400	0.5	10	150	-40 to 150	10	1.0	0.5
	HMG02	400	0.7	10	175	-40 to 175	10	1.0	0.5

Note: $I_{F(AV)}$, I_{FSM} , I_{RRM} and V_{FM} are specified per diode.

▶ Marking

S-FLAT™	M-FLAT™	HM-FLAT
 Cathode mark	 Cathode mark	 Pin 1
Example: CRG04	Example: CMG02	Example: HMG01



4.3 High-Speed Rectifiers

Super-Fast-Recovery Diode (S-FRDs)

- ▶ Voltage rating: $V_{RRM} = 600\text{ V}, 800\text{ V}, 900\text{ V}, 1000\text{ V}$
- ▶ Current rating: $I_{F(AV)} = 0.5\text{ A to } 2\text{ A}$
- ▶ High-speed switching: Reverse recovery time (t_{rr}) $\leq 100\text{ ns}$

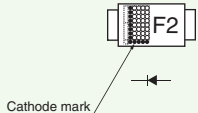
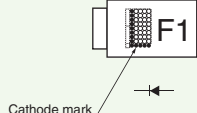
(1) Super-Fast-Recovery Diodes (S-FRDs)

Single

Package	Part Number	Absolute Maximum Ratings					Electrical Characteristics (Max)				
		V_{RRM} (V)	$I_{F(AV)}$ (A)	I_{FSM} (A)	T_j (°C)	T_{stg} (°C)	I_{RRM} (μA)	V_{FM} (V)	@ I_{FM} (A)	t_{rr} (ns)	Conditions
 S-FLAT™	CRF02	800	0.5	10	150	-40 to 150	50	3.0	0.5	100	$I_F = 1\text{ A},$ $di/dt = -30\text{ A}/\mu\text{s}$
	CRF03	600	0.7	10	150	-40 to 150	50	2.0	0.7	100	
 M-FLAT™	CMF01	600	2.0	30	150	-40 to 150	50	2.0	2.0	100	$I_F = 1\text{ A},$ $di/dt = -30\text{ A}/\mu\text{s}$
	CMF02	600	1.0	10	150	-40 to 150	50	2.0	1.0	100	
	CMF04	800	0.5	10	150	-40 to 150	50	2.5	0.5	100	
	CMF03	900	0.5	10	125	-40 to 150	50	2.5	0.5	100	
	CMF05	1000	0.5	10	125	-40 to 150	50	2.7	0.5	100	

▶ Marking

■ S-FRD

S-FLAT™	M-FLAT™
 <p>Cathode mark</p> <p>Example: CRF02</p>	 <p>Cathode mark</p> <p>Example: CMF01</p>

4. Product Characteristics



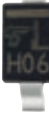
▶ SMALL & MEDIUM DIODES

High-Efficiency Diode (HEDs)

- ▶ Voltage rating: $V_{RRM} = 200\text{ V}, 300\text{ V}, 400\text{ V}$
- ▶ Current rating: $I_{F(AV)} = 0.5\text{ to }5\text{ A}$
- ▶ High-speed switching: Reverse recovery time (t_{rr}) $\leq 35\text{ ns}$ or $\leq 50\text{ ns}$
- ▶ Available in surface-mount packages.

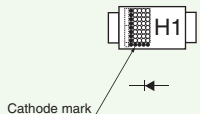
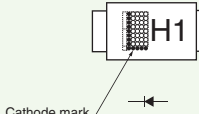
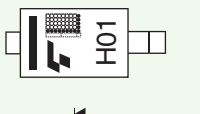
(2) High-Efficiency Diodes (HEDs)

Single

Package	Part Number	Absolute Maximum Ratings					Electrical Characteristics (Max)				
		V_{RRM} (V)	$I_{F(AV)}$ (A)	I_{FSM} (A)	T_j (°C)	T_{stg} (°C)	I_{RRM} (μA)	V_{FM} (V)	@ I_{FM} (A)	t_{rr} (ns)	Conditions
 S-FLAT™	CRH02	200	0.5	10	150	-40 to 150	10	0.95	0.5	35	$I_F = 1\text{ A},$ $di/dt = -30\text{ A}/\mu\text{s}$
	CRH01	200	1.0	15	150	-40 to 150	10	0.98	1.0	35	
 M-FLAT™	CMH04	200	1.0	20	150	-40 to 150	10	0.98	1.0	35	$I_F = 1\text{ A},$ $di/dt = -30\text{ A}/\mu\text{s}$
	CMH07	200	2.0	40	150	-40 to 150	10	0.98	2.0	35	
	CMH01	200	3.0	40	150	-40 to 150	10	0.98	3.0	35	
	CMH05	400	1.0	20	150	-40 to 150	10	1.3	1.0	50	
	CMH05A	400	1.0	10	150	-40 to 150	10	1.8	1.0	35	
	CMH08	400	2.0	30	150	-40 to 150	10	1.3	2.0	50	
	CMH08A	400	2.0	20	150	-40 to 150	10	1.8	2.0	35	
	CMH02	400	3.0	40	150	-40 to 150	10	1.3	3.0	50	
CMH02A	400	3.0	30	150	-40 to 150	10	1.8	3.0	35		
 L-FLAT™	CLH01	200	3.0	60	150	-40 to 150	10	0.98	3.0	35	$I_F = 2\text{ A},$ $di/dt = -50\text{ A}/\mu\text{s}$
	CLH05	200	5.0	100	150	-40 to 150	10	0.98	5.0	35	
	CLH02	300	3.0	50	150	-40 to 150	10	1.3	3.0	35	
	CLH06	300	5.0	60	150	-40 to 150	10	1.3	5.0	35	
	CLH03	400	3.0	30	150	-40 to 150	10	1.8	3.0	35	
	CLH07	400	5.0	50	150	-40 to 150	10	1.8	5.0	35	

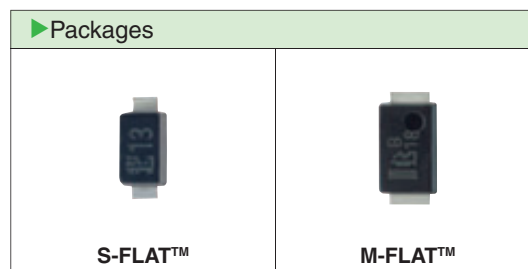
▶ Marking

■ HED

S-FLAT™	M-FLAT™	L-FLAT™
 <p>Cathode mark</p> <p>Example: CRH01</p>	 <p>Cathode mark</p> <p>Example: CMH01</p>	 <p>Cathode mark</p> <p>Example: CLH01</p>

4.4 Zener Diodes

- ▶ $V_z = 6.2\text{ V to }390\text{ V}$
- ▶ Power dissipation: $P = 0.7\text{ W, }1.0\text{ W, }2.0\text{ W}$
(S-FLAT™ and M-FLAT™ packages)



CRY62 and CRZ10 Series (S-FLAT™)

$T_a = 25^\circ\text{C}$

Part Number	Power Dissipation (mW)	Zener Characteristics					Temperature Coefficient of Zener Voltage α_T (mV/°C)		Forward Voltage V_F (V)	Measurement Current I_F (A)	Reverse Current I_R (μA)	Measurement Voltage V_R (V)
		Zener Voltage V_z (V)			Dynamic Resistance r_d (Ω)	Measurement Current I_z (mA)	Typ.	Max				
		Min	Typ.	Max					Max	Max		
CRY62	700	5.6	6.2	6.8	60	10	2	3	1.0	0.2	10	3.0
CRY68	700	6.2	6.8	7.4	60	10	3	4	1.0	0.2	10	3.0
CRY75	700	6.8	7.5	8.3	30	10	4	5	1.0	0.2	10	4.5
CRY82	700	7.4	8.2	9.0	30	10	4	6	1.0	0.2	10	4.9
CRY91	700	8.2	9.1	10.0	30	10	5	8	1.0	0.2	10	5.5
CRZ10	700	9.0	10.0	11.0	30	10	6	9	1.0	0.2	10	6.0
CRZ11	700	9.9	11.0	12.1	30	10	7	11	1.0	0.2	10	7.0
CRZ12	700	10.8	12.0	13.2	30	10	8	13	1.0	0.2	10	8.0
CRZ13	700	11.7	13.0	14.3	30	10	9	14	1.0	0.2	10	9.0
CRZ15	700	13.5	15.0	16.5	30	10	11	17	1.0	0.2	10	10.0
CRZ16	700	14.4	16.0	17.6	30	10	12	19	1.0	0.2	10	11.0
CRZ18	700	16.2	18.0	19.8	30	10	14	23	1.0	0.2	10	13.0
CRZ20	700	18.0	20.0	22.0	30	10	16	26	1.0	0.2	10	14.0
CRZ22	700	19.8	22.0	24.2	30	10	18	28	1.0	0.2	10	16.0
CRZ24	700	21.6	24.0	26.4	30	10	20	32	1.0	0.2	10	17.0
CRZ27	700	24.3	27.0	29.7	30	10	23	36	1.0	0.2	10	19.0
CRZ30	700	27.0	30.0	33.0	30	10	25	40	1.0	0.2	10	21.0
CRZ33	700	29.7	33.0	36.3	30	10	26	41	1.0	0.2	10	26.4
CRZ36	700	32.4	36.0	39.6	30	9	28	45	1.0	0.2	10	28.8
CRZ39	700	35.1	39.0	42.9	35	8	30	48	1.0	0.2	10	31.2
CRZ43	700	38.7	43.0	47.3	40	7	33	53	1.0	0.2	10	34.4
CRZ47	700	42.3	47.0	51.7	65	6	38	60	1.0	0.2	10	37.6

CMZ12 Series (M-FLAT™)

$T_a = 25^\circ\text{C}$

Part Number	Power Dissipation (W)	Zener Characteristics					Temperature Coefficient of Zener Voltage α_T (mV/°C)		Forward Voltage V_F (V)	Measurement Current I_F (A)	Reverse Current I_R (μA)	Measurement Voltage V_R (V)
		Zener Voltage V_z (V)			Dynamic Resistance r_d (Ω)	Measurement Current I_z (mA)	Typ.	Max				
		Min	Typ.	Max					Max	Max		
CMZ12	2.0	10.8	12	13.2	30	10	8	13	1.2	0.2	10	8
CMZ13	2.0	11.7	13	14.3	30	10	9	14	1.2	0.2	10	9
CMZ15	2.0	13.5	15	16.5	30	10	11	17	1.2	0.2	10	10
CMZ16	2.0	14.4	16	17.6	30	10	12	19	1.2	0.2	10	11
CMZ18	2.0	16.2	18	19.8	30	10	14	23	1.2	0.2	10	13
CMZ20	2.0	18.0	20	22.0	30	10	16	26	1.2	0.2	10	14
CMZ22	2.0	19.8	22	24.2	30	10	18	28	1.2	0.2	10	16
CMZ24	2.0	21.6	24	26.4	30	10	20	32	1.2	0.2	10	17
CMZ27	2.0	24.3	27	29.7	30	10	23	36	1.2	0.2	10	19
CMZ30	2.0	27.0	30	33.0	30	10	25	40	1.2	0.2	10	21
CMZ33	2.0	29.7	33	36.3	30	10	26	41	1.2	0.2	10	26.4
CMZ36	2.0	32.4	36	39.6	30	9	28	45	1.2	0.2	10	28.8
CMZ39	2.0	35.1	39	42.9	35	8	30	48	1.2	0.2	10	31.2
CMZ43	2.0	38.7	43	47.3	40	7	33	53	1.2	0.2	10	34.4
CMZ47	2.0	42.3	47	51.7	65	6	38	60	1.2	0.2	10	37.6
CMZ51	2.0	45.9	51	56.1	65	6	43	68	1.2	0.2	10	40.8
CMZ53	2.0	47.7	53	58.3	85	5	49	77	1.2	0.2	10	42.4

4. Product Characteristics

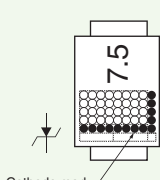
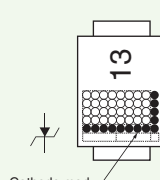
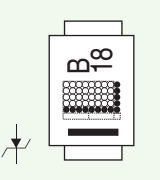
▶ SMALL & MEDIUM DIODES

CMZB12 Series (M-FLAT™)

Ta = 25°C

Part Number	Power Dissipation (W)	Zener Characteristics					Measurement Current I _Z (mA)	Temperature Coefficient of Zener Voltage α _{ZT} (mV/°C)		Forward Voltage V _F (V)	Measurement Current I _F (A)	Reverse Current I _R (μA)	Measurement Voltage V _R (V)	
		Zener Voltage V _Z (V)			Dynamic Resistance r _d (Ω)	Typ.		Max	Max					Max
		Min	Typ.	Max										
CMZB12	1.0	10.8	12	13.2	30	10	8	13	1.2	0.2	10	8		
CMZB13	1.0	11.7	13	14.3	30	10	9	14	1.2	0.2	10	9		
CMZB15	1.0	13.5	15	16.5	30	10	11	17	1.2	0.2	10	10		
CMZB16	1.0	14.4	16	17.6	30	10	12	19	1.2	0.2	10	11		
CMZB18	1.0	16.2	18	19.8	30	10	14	23	1.2	0.2	10	13		
CMZB20	1.0	18.0	20	22.0	30	10	16	26	1.2	0.2	10	14		
CMZB22	1.0	19.8	22	24.2	30	10	18	28	1.2	0.2	10	16		
CMZB24	1.0	21.6	24	26.4	30	10	20	32	1.2	0.2	10	17		
CMZB27	1.0	24.3	27	29.7	30	10	23	36	1.2	0.2	10	19		
CMZB30	1.0	27.0	30	33.0	30	10	25	40	1.2	0.2	10	21		
CMZB33	1.0	29.7	33	36.3	30	10	26	41	1.2	0.2	10	26.4		
CMZB36	1.0	32.4	36	39.6	30	9	28	45	1.2	0.2	10	28.8		
CMZB39	1.0	35.1	39	42.9	35	8	30	48	1.2	0.2	10	31.2		
CMZB43	1.0	38.7	43	47.3	40	7	33	53	1.2	0.2	10	34.4		
CMZB47	1.0	42.3	47	51.7	65	6	38	60	1.2	0.2	10	37.6		
CMZB51	1.0	45.9	51	56.1	65	6	43	68	1.2	0.2	10	40.8		
CMZB53	1.0	47.7	53	58.3	85	5	49	77	1.2	0.2	10	42.4		
CMZB68	1.0	61.2	68	74.8	120	4	57	90	1.2	0.2	10	54.4		
CMZB75	1.0	67.5	75	82.5	150	4	66	104	1.2	0.2	10	60		
CMZB82	1.0	73.8	82	90.2	170	3	71	113	1.2	0.2	10	65.6		
CMZB100	1.0	90	100	110	300	3	87	138	1.2	0.2	10	80		
CMZB110	1.0	99	110	121	300	3	96	152	1.2	0.2	10	88		
CMZB150	1.0	135	150	165	450	2	136	210	1.2	0.2	10	120		
CMZB180	1.0	162	180	198	500	1.5	161	254	1.2	0.2	10	144		
CMZB200	1.0	180	200	220	500	1.5	170	269	1.2	0.2	10	160		
CMZB220	1.0	198	220	242	5000	0.5	200	309	1.2	0.2	10	176		
CMZB240	1.0	216	240	264	5000	0.5	215	343	1.2	0.2	10	192		
CMZB270	1.0	243	270	297	5000	0.5	243	385	1.2	0.2	10	216		
CMZB300	1.0	270	300	330	5000	0.5	270	428	1.2	0.2	10	240		
CMZB330	1.0	297	330	363	5000	0.5	296	473	1.2	0.2	10	264		
CMZB390	1.0	351	390	429	10000	0.5	350	555	1.2	0.2	10	312		

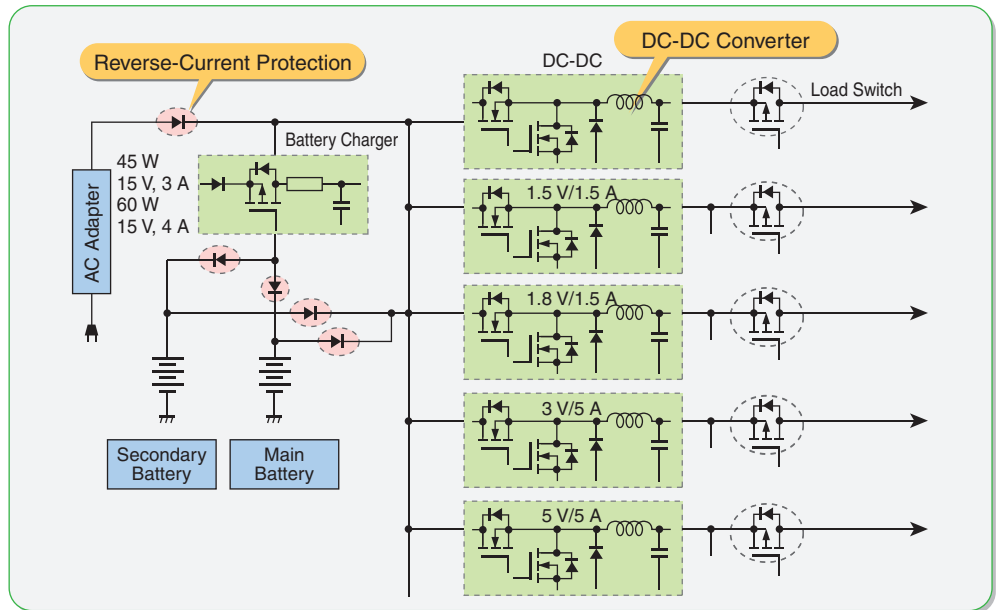
▶ Marking

CRY62, CRZ10 Series	CMZ12 Series	CMZB12 Series
 <p>Example: CRY75</p>	 <p>Example: CRZ13</p>	 <p>Example: CMZB18</p>

5. Application Examples and Toshiba's Recommended Diodes

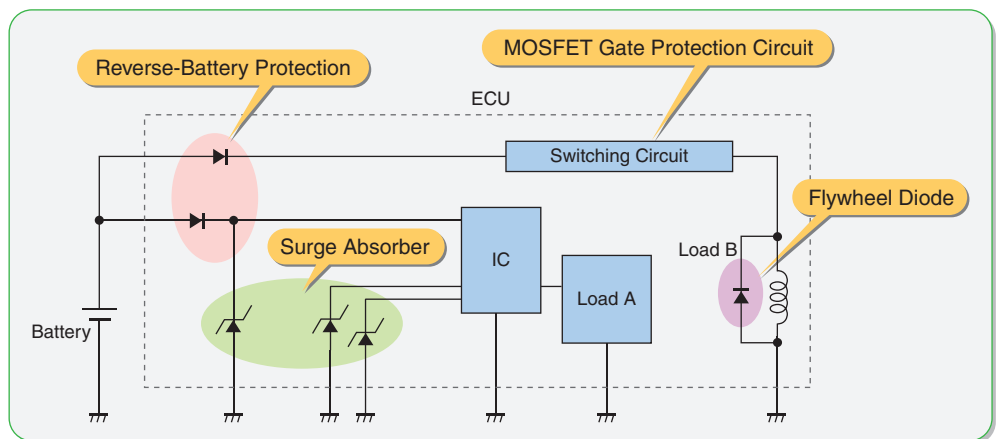
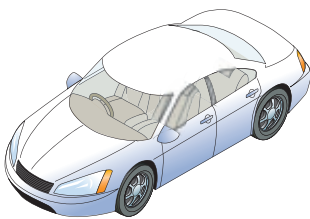
▶ SMALL & MEDIUM DIODES

Notebook PCs



Applications	Package	Recommended Diodes
Reverse-battery and reverse-current protection	US-FLAT™	CUS01, CUS02, CUS10I30A, CUS15I30A
	S-FLAT™	CRS01, CRS03, CRS05, CRS06, CRS08, CRS09, CRS11, CRS14
	M-FLAT™	CMS01, CMS03, CMS06, CMS07, CMS08, CMS09, CMS16
DC-DC converters	S-FLAT™	CRS03, CRS04, CRS05, CRS09, CRS13, CRS10I30A, CRS15I30A, CRS20I30A
	M-FLAT™	CMS03, CMS05, CMS14, CMS15, CMS20I30A, CMS30I30A, CMS20I40A, CMS30I40A

Automotive



Applications	Package	Recommended Diodes
Reverse-battery and reverse-current protection	S-FLAT™	CRG04, CRG05, CRG07, CRG09, CRG02, CRG03, HMG02
	M-FLAT™	CMG02, CMG03, CMG05, CMG06, CMG07, CMG08
Surge absorbers	S-FLAT™	CRZ Series
	M-FLAT™	CMZB Series, CMZ Series
Flywheeling	S-FLAT™	CRH01, CRH02
	M-FLAT™	CMH01, CMH04, CMH07
MOSFET gate protection	S-FLAT™	CRZ Series
	M-FLAT™	CMZB Series, CMZ Series

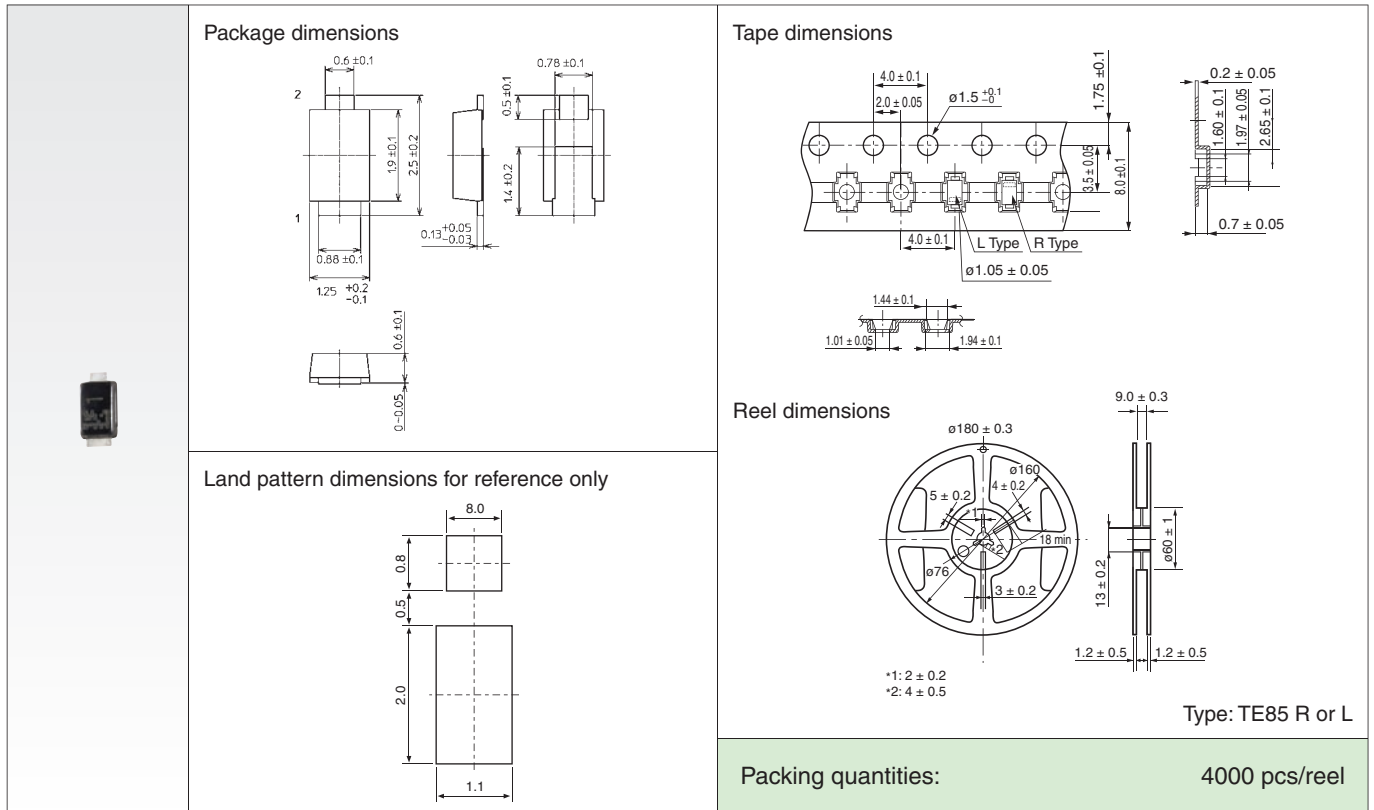
6. Packaging and Packing Information

▶ SMALL & MEDIUM DIODES

6.1 Surface-Mount Packages

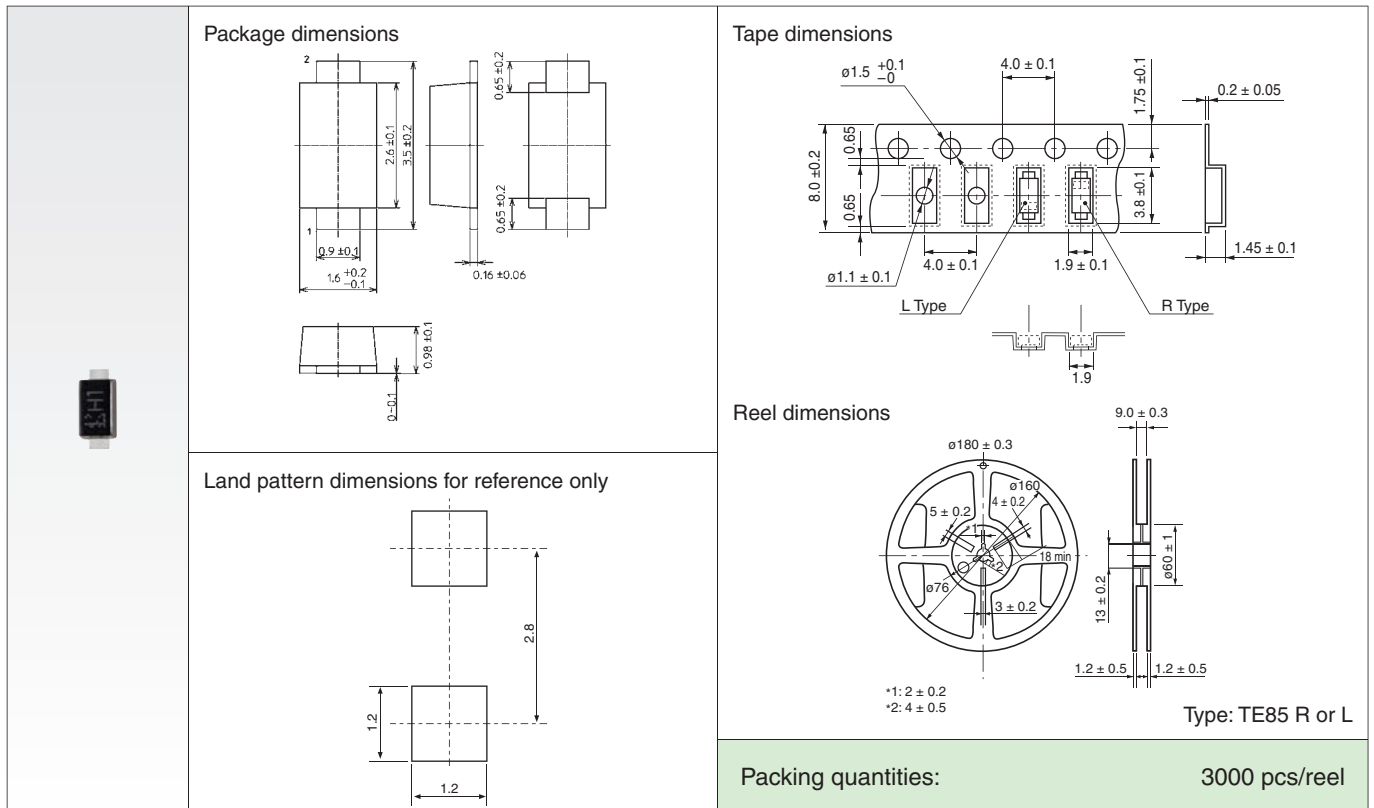
① US-FLAT™

Unit: mm



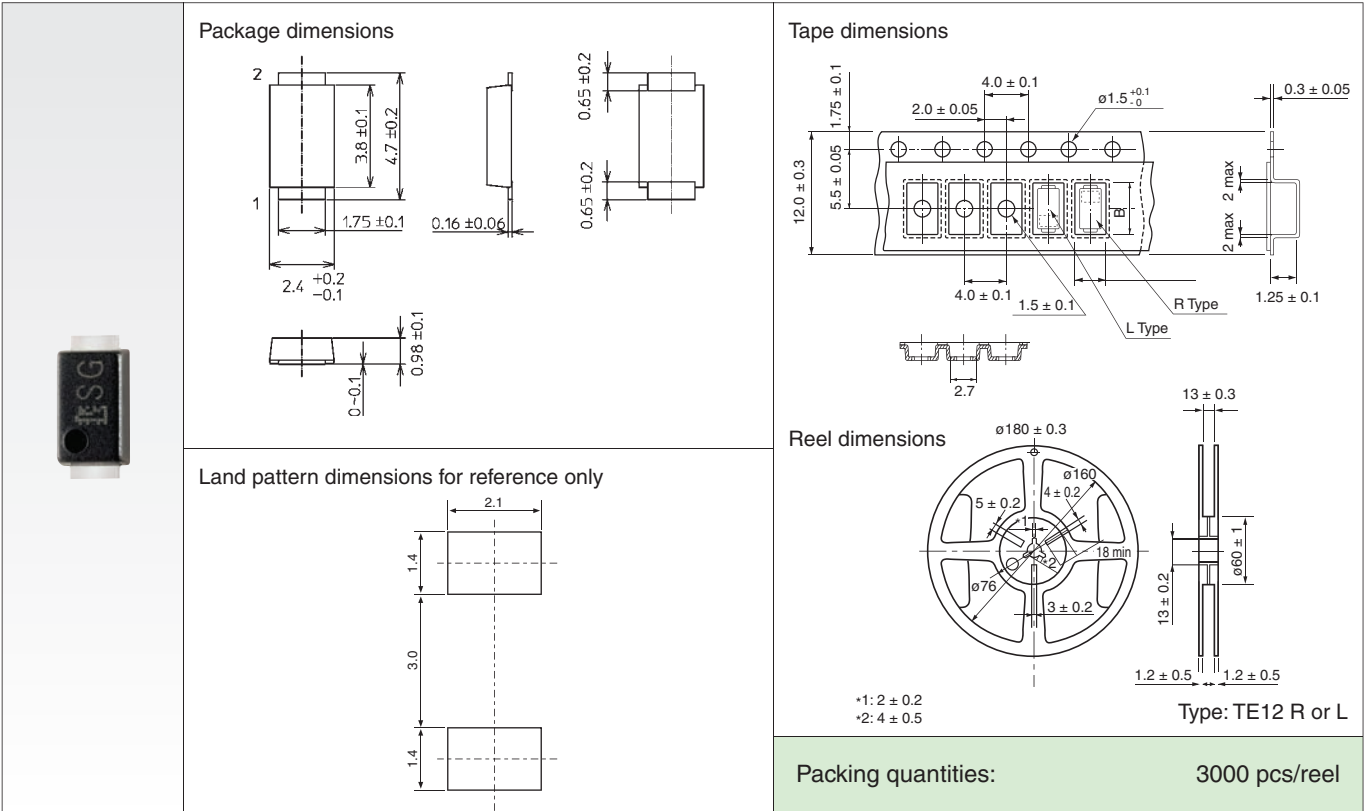
② S-FLAT™

Unit: mm



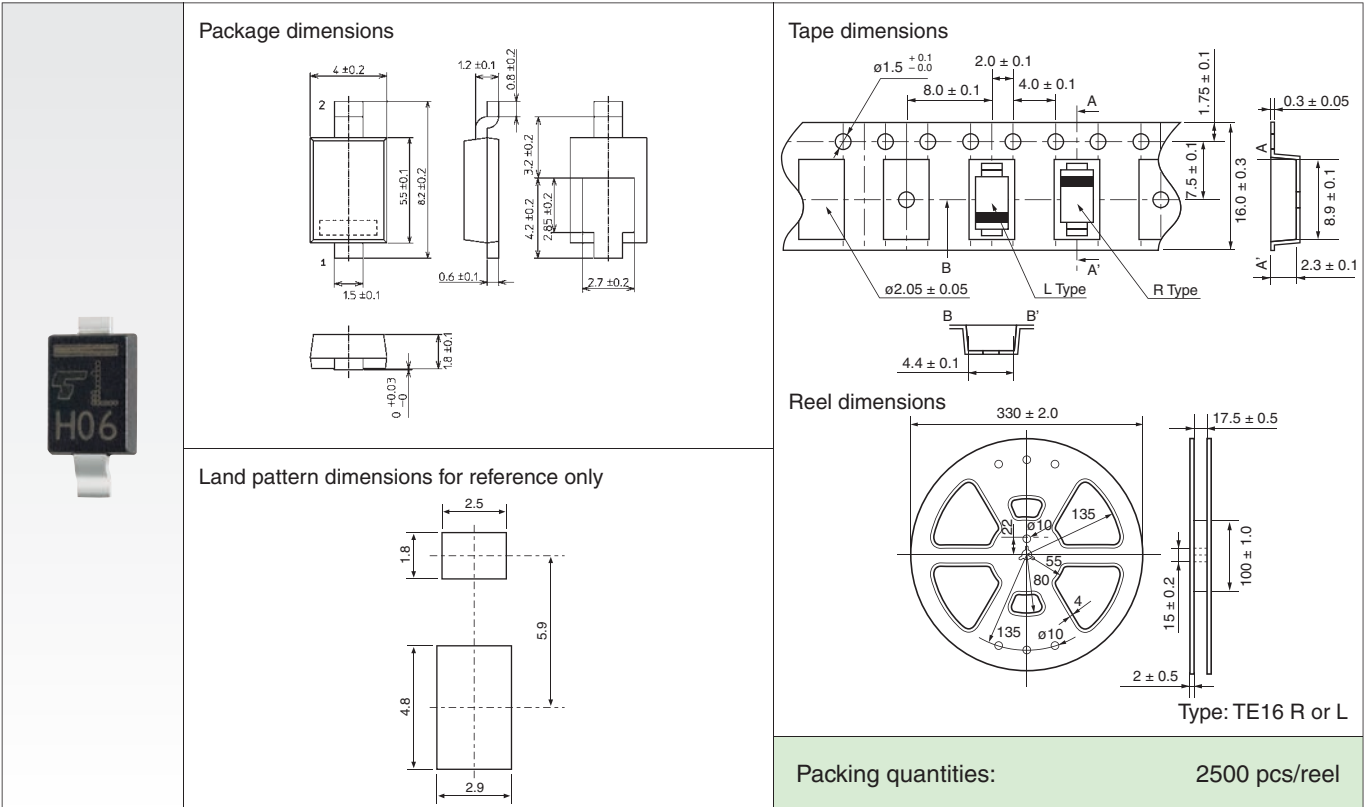
③ M-FLAT™

Unit: mm



④ L-FLAT™

Unit: mm



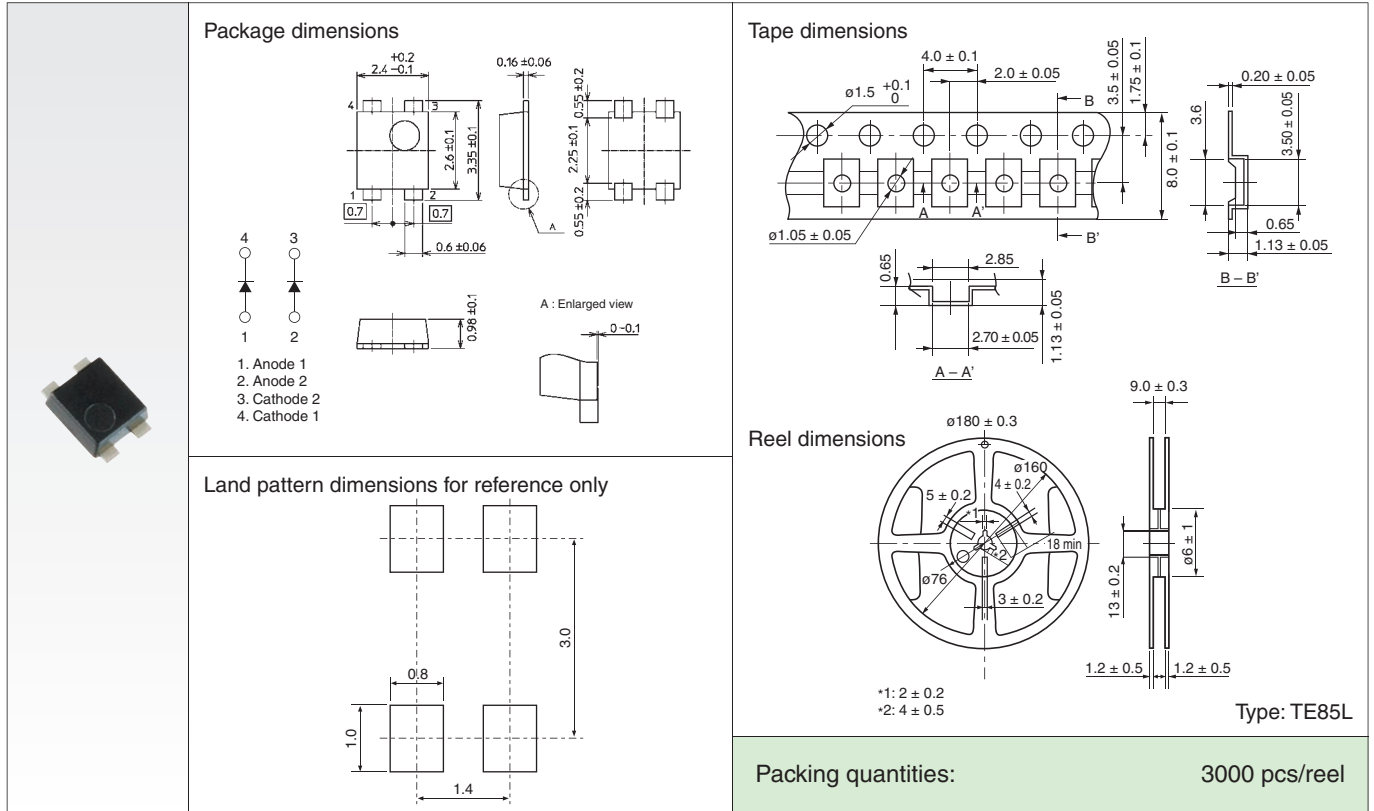
6. Packaging and Packing Information

SMALL & MEDIUM DIODES

6.1 Surface-Mount Packages

⑤ HM-FLAT

Unit: mm



Right here and now!

Toshiba Semiconductor

Web Search

<http://www.semicon.toshiba.co.jp/eng>

Visit our website for information about each category of our products.
The most up-to-date information not contained in this catalog is also available on the website.

Product Search

Allows you to find detailed information about a particular device, using a part number as search text.

New Product Information

Delivers up-to-date information about our products.

Parametric Search

Allows you to narrow down a product list, based on features and electrical characteristics.

Packaging

Shows package external views and outline dimensions, and device packing dimensions.

Cross Reference Search

Allows you to find Toshiba's counterparts from competitor's part number.

Application Notes

Describes considerations and precautions for using products.

Part Naming Conventions

Describes a system used to name our products.

Recommended Products by Application

Introduces products most suitable for each application.

Obsolete Products

Lists products that will phase out of production or become obsolete.

Frequently Asked Questions

Provides answers to questions frequently asked by our customers.

Documents

Posts the electronic versions of the Semiconductor General Catalog and various product catalogs for download.

Toshiba America**Electronic Components, Inc.**

- Irvine, Headquarters
Tel: (949)623-2900 Fax: (949)474-1330
- Buffalo Grove (Chicago)
Tel: (847)484-2400 Fax: (847)541-7287
- Duluth/Atlanta
Tel: (770)931-3363 Fax: (770)931-7602
- El Paso
Tel: (915)771-8156
- Marlborough
Tel: (508)481-0034 Fax: (508)481-8828
- Parsippany
Tel: (973)541-4715 Fax: (973)541-4716
- San Jose
Tel: (408)526-2400 Fax: (408)526-2410
- Wixom (Detroit)
Tel: (248)347-2607 Fax: (248)347-2602

Toshiba Electronics do Brasil Ltd.

Tel: (011)2936-6681 Fax: (011)2936-6675

Toshiba India Private Ltd.

- New Deli Office
Tel: (0124)499-6600 Fax: (0124)499-6611
- Bangalore Office
Tel: (080)251-90800 Fax: (080)490-91945

Toshiba Electronics Europe GmbH

- Düsseldorf Head Office
Tel: (0211)5296-0 Fax: (0211)5296-400
- France Branch
Tel: (1)47282181
- Italy Branch
Tel: (039)68701 Fax: (039)6870205
- Munich Office
Tel: (089)20302030 Fax: (089)203020310
- Spain Branch
Tel: (91)660-6798 Fax: (91)660-6799
- Sweden Branch
Tel: (08)704-0900 Fax: (08)80-8459
- U.K. Branch
Tel: (1932)841600

Toshiba Vietnam Consumer Products Co.,Ltd.

Tel: (043)776-5950 Fax: (043)776-5956

Toshiba Electronics Asia (Singapore) Pte. Ltd.

Tel: (6278)5252 Fax: (6271)5155

Toshiba Electronics Service (Thailand) Co., Ltd.

Tel: (02)501-1634 Fax: (02)501-1638

Toshiba Electronics Trading (Malaysia)Sdn. Bhd.

- Kuala Lumpur Head Office
Tel: (03)5631-6311 Fax: (03)5631-6307
- Penang Office
Tel: (04)226-8523 Fax: (04)226-8515

Toshiba Electronics (Shanghai) Co., Ltd.

- Shanghai Head Office
Tel: (021)6139-3888 Fax: (021)6190-8288
- Beijing Branch
Tel: (010)6590-8796 Fax: (010)6590-8791
- Chengdu Branch
Tel: (028)8675-1773 Fax: (028)8675-1065
- Hangzhou Office
Tel: (0571)8717-5004 Fax: (0571)8717-5013
- Nanjing Office
Tel: (025)8689-0070 Fax: (025)8689-0125
- Qingdao Branch
Tel: (532)8579-3328 Fax: (532)8579-3329
- Shenzhen Branch
Tel: (0755)2399-6897 Fax: (0755)2399-5573
- Dalian Branch
Tel: (0411)8368-6882 Fax: (0411)8369-0822
- Xiamen Branch
Tel: (0592)226-1398 Fax: (0592)226-1399

Toshiba Electronics Asia, Ltd.

Tel: 2375-6111 Fax: 2375-0969

Toshiba Electronics Korea Corporation

Tel: (02)3484-4334 Fax: (02)3484-4302

Toshiba Electronics Taiwan Corporation

Tel: (02)2508-9988 Fax: (02)2508-9999

- ▶ Toshiba Corporation, and its subsidiaries and affiliates (collectively "TOSHIBA"), reserve the right to make changes to the information in this document, and related hardware, software and systems (collectively "Product") without notice.
- ▶ This document and any information herein may not be reproduced without prior written permission from TOSHIBA. Even with TOSHIBA's written permission, reproduction is permissible only if reproduction is without alteration/omission.
- ▶ Though TOSHIBA works continually to improve Product's quality and reliability, Product can malfunction or fail. Customers are responsible for complying with safety standards and for providing adequate designs and safeguards for their hardware, software and systems which minimize risk and avoid situations in which a malfunction or failure of Product could cause loss of human life, bodily injury or damage to property, including data loss or corruption. Before customers use the Product, create designs including the Product, or incorporate the Product into their own applications, customers must also refer to and comply with (a) the latest versions of all relevant TOSHIBA information, including without limitation, this document, the specifications, the data sheets and application notes for Product and the precautions and conditions set forth in the "TOSHIBA Semiconductor Reliability Handbook" and (b) the instructions for the application with which the Product will be used with or for. Customers are solely responsible for all aspects of their own product design or applications, including but not limited to (a) determining the appropriateness of the use of this Product in such design or applications; (b) evaluating and determining the applicability of any information contained in this document, or in charts, diagrams, programs, algorithms, sample application circuits, or any other referenced documents; and (c) validating all operating parameters for such designs and applications. **TOSHIBA ASSUMES NO LIABILITY FOR CUSTOMERS' PRODUCT DESIGN OR APPLICATIONS.**
- ▶ **PRODUCT IS NEITHER INTENDED NOR WARRANTED FOR USE IN EQUIPMENTS OR SYSTEMS THAT REQUIRE EXTRAORDINARILY HIGH LEVELS OF QUALITY AND/OR RELIABILITY, AND/OR A MALFUNCTION OR FAILURE OF WHICH MAY CAUSE LOSS OF HUMAN LIFE, BODILY INJURY, SERIOUS PROPERTY DAMAGE AND/OR SERIOUS PUBLIC IMPACT ("UNINTENDED USE").** Except for specific applications as expressly stated in this document, Unintended Use includes, without limitation, equipment used in nuclear facilities, equipment used in the aerospace industry, medical equipment, equipment used for automobiles, trains, ships and other transportation, traffic signaling equipment, equipment used to control combustions or explosions, safety devices, elevators and escalators, devices related to electric power, and equipment used in finance-related fields. **IF YOU USE PRODUCT FOR UNINTENDED USE, TOSHIBA ASSUMES NO LIABILITY FOR PRODUCT.** For details, please contact your TOSHIBA sales representative.
- ▶ Do not disassemble, analyze, reverse-engineer, alter, modify, translate or copy Product, whether in whole or in part.
- ▶ Product shall not be used for or incorporated into any products or systems whose manufacture, use, or sale is prohibited under any applicable laws or regulations.
- ▶ The information contained herein is presented only as guidance for Product use. No responsibility is assumed by TOSHIBA for any infringement of patents or any other intellectual property rights of third parties that may result from the use of Product. No license to any intellectual property right is granted by this document, whether express or implied, by estoppel or otherwise.
- ▶ **ABSENT A WRITTEN SIGNED AGREEMENT, EXCEPT AS PROVIDED IN THE RELEVANT TERMS AND CONDITIONS OF SALE FOR PRODUCT, AND TO THE MAXIMUM EXTENT ALLOWABLE BY LAW, TOSHIBA (1) ASSUMES NO LIABILITY WHATSOEVER, INCLUDING WITHOUT LIMITATION, INDIRECT, CONSEQUENTIAL, SPECIAL, OR INCIDENTAL DAMAGES OR LOSS, INCLUDING WITHOUT LIMITATION, LOSS OF PROFITS, LOSS OF OPPORTUNITIES, BUSINESS INTERRUPTION AND LOSS OF DATA, AND (2) DISCLAIMS ANY AND ALL EXPRESS OR IMPLIED WARRANTIES AND CONDITIONS RELATED TO SALE, USE OF PRODUCT, OR INFORMATION, INCLUDING WARRANTIES OR CONDITIONS OF MERCHANTABILITY, FITNESS FOR A PARTICULAR PURPOSE, ACCURACY OF INFORMATION, OR NONINFRINGEMENT.**
- ▶ Do not use or otherwise make available Product or related software or technology for any military purposes, including without limitation, for the design, development, use, stockpiling or manufacturing of nuclear, chemical, or biological weapons or missile technology products (mass destruction weapons). Product and related software and technology may be controlled under the applicable export laws and regulations including, without limitation, the Japanese Foreign Exchange and Foreign Trade Law and the U.S. Export Administration Regulations. Export and re-export of Product or related software or technology are strictly prohibited except in compliance with all applicable export laws and regulations.
- ▶ Please contact your TOSHIBA sales representative for details as to environmental matters such as the RoHS compatibility of Product. Please use Product in compliance with all applicable laws and regulations that regulate the inclusion or use of controlled substances, including without limitation, the EU RoHS Directive. **TOSHIBA ASSUMES NO LIABILITY FOR DAMAGES OR LOSSES OCCURRING AS A RESULT OF NONCOMPLIANCE WITH APPLICABLE LAWS AND REGULATIONS.**

TOSHIBA**TOSHIBA CORPORATION**

Semiconductor & Storage Products Company

Website: <http://www.semicon.toshiba.co.jp/eng>