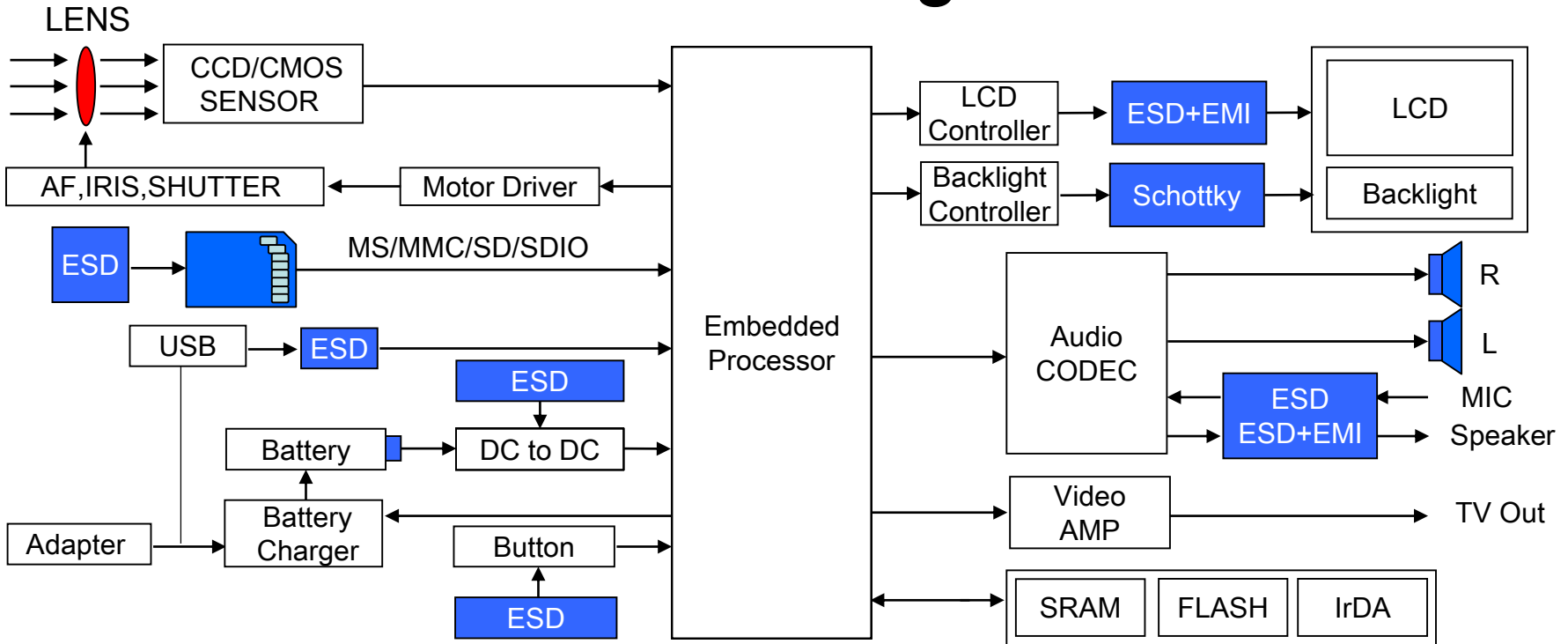


# Lite-On Semiconductor DSC Platform Solutions

# DSC Block Diagram



ESD
L13ESD5V0CE2
L03ESDL5V0CE2
L05ESDU5V0CE2
L04ESD5V0CP2
L03ESDL5V0CP2
L03ESDL5V0CQ2

ESD+EMI Filter
LEFH1701TC-6
LEFH1701TG-6

SCHOTTKY	
G1060P5	B260A
B260	FB260M
SB260	FB140LM
FB130LM	FB120LM

# LSC Product Selection Guide

## ESD Diode

Part Number	Peak Power Dissipation 8x20us  W	Reverse stand off Voltage  VR (V)	Max Reverse Leakage @ VR  IR (uA)	Max Clamping Voltage @ 8x20us  R (Ohm)	Peak Pulse Current 8x20us  Cj (pF)	Off-State Capacitance 1Mhz Zero DC Bias  Cj (pF)	Package
L13ESD5V0CE2	130	5	0.1	10	12	45	SOD882
L03ESDL5V0CE2	30	5	0.1	12	2	3	SOD882
L05ESDU5V0CE2	50	5	0.1	14	2.5	0.3	SOD882
L04ESD5V0CP2	40	5	0.1	9	3.5	4.5	SOD923
L03ESDL5V0CP2	30	5	0.1	12	2	3	SOD923
L03ESDL5V0CQ2	30	5	0.1	12	2	3	SLP0603P2

# LSC Product Selection Guide

## ESD with EMI Filter

Part No.	Peak Power Dissipation 8x20us W	Reverse stand off Voltage VR (V)	Max Reverse Leakage @ VR IR (uA)	Resisyance R (Ohm)	Off-State Capacitance 0Mhz 2.5V DC Bias Cj (pF)	Off-State Capacitance 1Mhz Zero DC Bias Cj (pF)	Package
LEFH1701TC-6	X	5	1	X	23.5	X	SLP2513P12
LEFH1701TG-6	X	5	1	X	23.5	X	SLP3313P16

# LSC Product Selection Guide

## Schottky Diode

Part No	Family	VR Max. V	IFAV Max. A	IFSM Max. A	IR @VR mA	VF @ IF		Package
						Max. (V)	A	
G1060P5	Schottky	60	10	180	0.45	0.6	10	DFN5*6
B260A	Schottky	60	2	50	0.05	0.7	2	SMA
B260	Schottky	60	2	50	0.05	0.7	2	SMB
FB260M	Schottky	60	2	50	0.1	0.7	2	DO-222AA
SB260	Schottky	60	2	50	0.05	0.7	2	DO-15
FB140LM	Schottky	40	1	25	1	0.45	1	DO-222AA
FB130LM	Schottky	30	1	50	0.4	0.38	1	DO-222AA
FB120LM	Schottky	20	1	50	0.4	0.38	1	DO-222AA

