

SURFACT MOUNT SWITCHING DIODES

VOLTAGE 75-200 Volts

POWER 200 mWatts

PACKAGE SOD-323

FEATURES

- Fast switching speed.
- Surface mount package Ideally Suited for Automatic insertion
- Electrically Identical to Standard JEDEC
- High Conductance

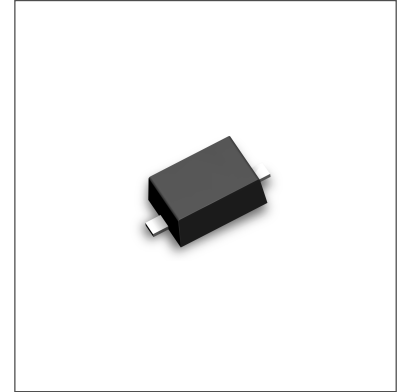
MECHANICAL DATA

Case: SOD-323, Plastic

Terminals: Solderable per MIL-STD-202, Method 208

Approx. Weight: 0.008 gram

Marking: A6, A8, A80, A82



MAXIMUM RATINGS AND ELECTRICAL CHARACTERISTICS

Ratings at 25°C ambient temperature unless otherwise specified.

Single phase, half wave, 60 Hz, resistive or inductive load.

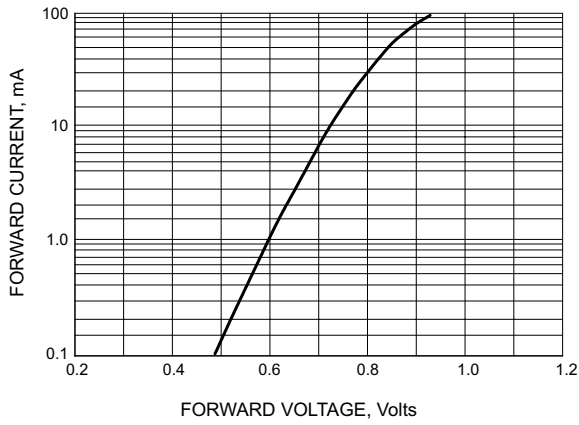
For capacitive load, derate current by 20%.

PARAMETER	SYMBOL	BAV16WS	BAV19WS	BAV20WS	BAV21WS	UNITS
Reverse Voltage	V _R	75	100	150	200	V
Peak Reverse Voltage	V _{RM}	100	120	200	250	V
Rectified Current (Average), Half Wave Rectification with Resistive Load and f >=50 Hz	I _o	250	200	200	200	mA
Peak Forward Surge Current, 8.3ms single half sine-wave superimposed on rated load (JEDEC method)	I _{FSM}	2.0	2.5	2.5	2.5	A
Power Dissipation Derate Above 25°C	P _{TOT}	200	200	200	200	mW
Maximum Forward Voltage @ I _F =100 mA	V _F	0.855 @ I _F =10 mA	1.0	1.0	1.0	V
Maximum DC Reverse Current at Rated DC Blocking Voltage T _J = 25°C	I _R	1.0	0.1	0.1	0.1	μA
Typical Junction Capacitance(Notes1)	C _J	2.0	1.5	1.5	1.5	pF
Maximum Reverse Recovery (Notes2)	T _{RR}	6.0	50	50	50	ns
Maximum Thermal Resistance	R _{θJA}	357				°C / W
Storage Temperature Range	T _J	-55 TO +125				°C

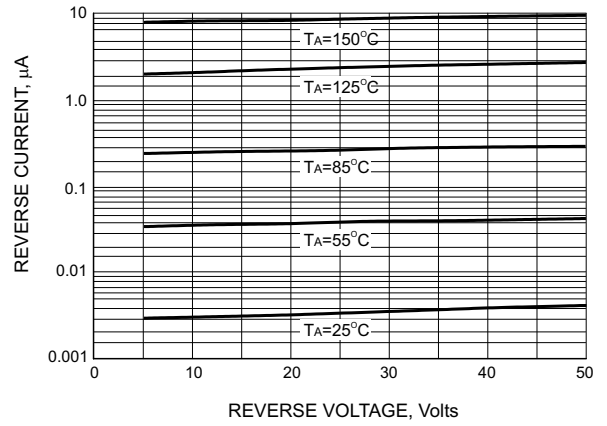
NOTE:

1. C_J at V_R=0, f=1MHZ

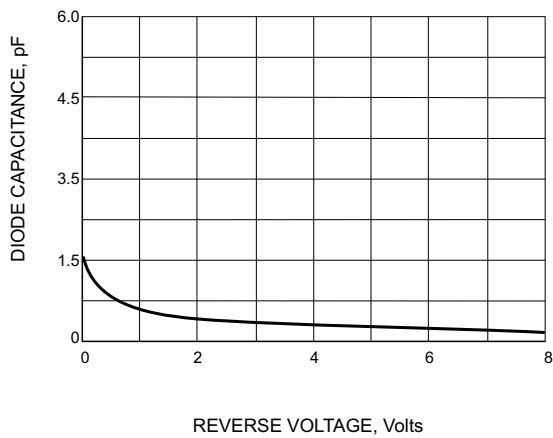
2. From I_F=10mA to I_R=1mA, V_R=6Volts, R_L=100Ω



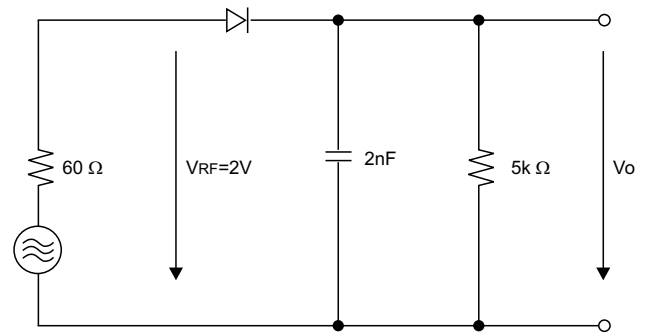
FORWARD VOLTAGE



LEAKAGE CURRENT

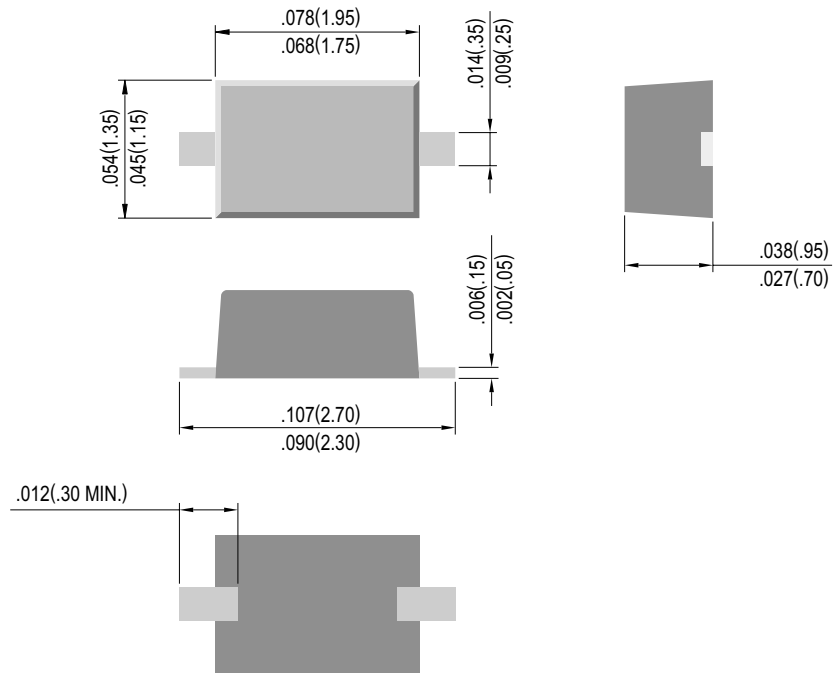


TYPICAL CAPACITANCE



RECTIFICATION EFFICIENCY MEASUREMENT CIRCUIT

SOD-323



© Copyright Panjit International Inc. 2001

All rights are reserved. Reproduction in whole or in part is prohibited without the prior written consent of the copyright owner.

The information presented in this document does not form part of any quotation or contract, is believed to be accurate and reliable and may be changed without notice. No liability will be accepted by the publisher for any consequence of its use.

Publication thereof does not convey nor imply any license under patent or other industrial or intellectual property rights.

PanJit International Inc.

TEL:886-7-6213121 Fax:886-7-6213129 Internet: <http://www.panjit.com.tw> email: sales@panjit.com.tw